

# DL Series

Submersible pumps for solid-laden wastewater. Made in cast iron and stainless steel, with mechanical seal and versions with single-channel impeller and Vortex impeller.

## Specifications

Delivery: up to 42 m<sup>3</sup>/h

Head: up to 22 m

Power supply: three-phase and single-phase 50 and 60 Hz

Power: 0.6 kW to 1.5 kW

Maximum immersion depth: 5 m

Temperature of pumped liquid: 0°C to +50°C (with pump totally immersed)

0°C to +25°C (with pump partially immersed)

Liquids with suspended solids: up to 45 mm (DL80-90-105 Minivortex-Vortex)

up to 50 mm (DL109-125, DLV100-115)

Protection: IP68

Length of cable: 5 m

## Materials

Pump body: Cast iron

Suction flange, feet, shaft extension, motor casing, impeller: Stainless steel

Elastomers: NBR

Mechanical seal: Carbon/Ceramic/NBR

Discharge elbow: Cast iron

## Applications

Pumping of sewage with suspended solids and filaments

Draining of septic tanks, sumps and wastewater discharge tanks

Emptying of drains and tanks in industrial and ecological applications

Emptying of tanks or reservoirs

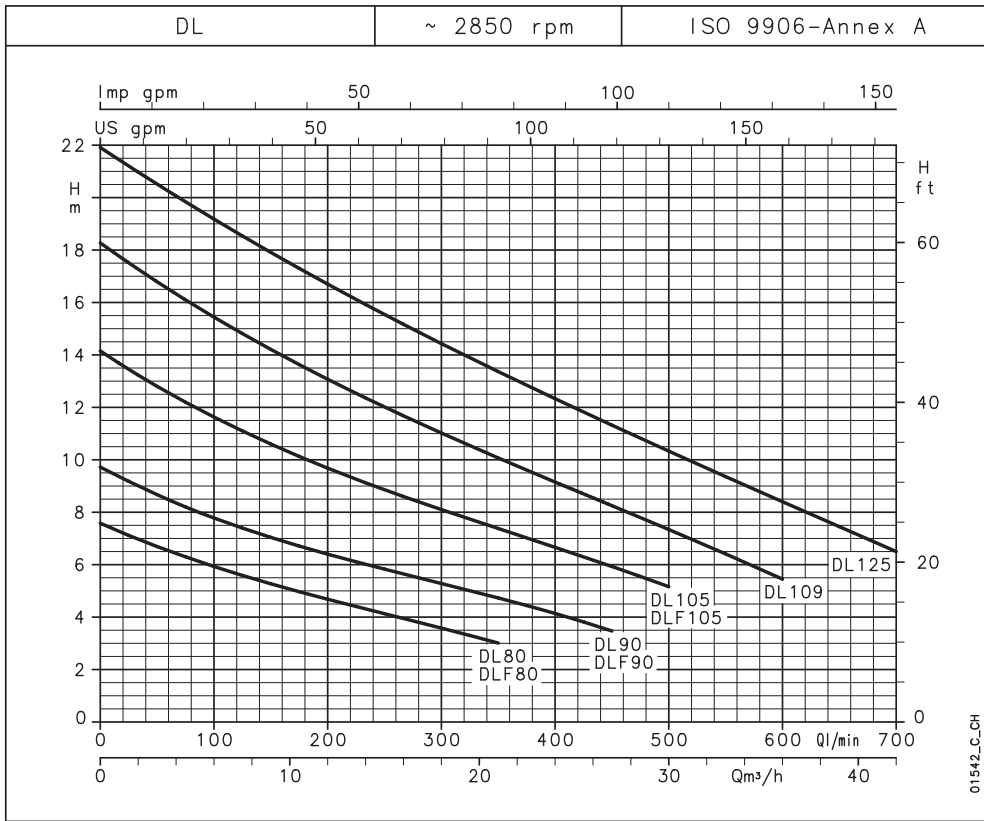
Emergency draining in flooded areas



# DL SERIES

## Operating characteristics at 50 Hz, 2 poles

3



## DL SERIES

### Hydraulic performance table

PUMP TYPE	RATED POWER		Q = DELIVERY													
			l/min	0	100	150	200	250	300	350	400	450	500	600	700	
			m <sup>3</sup> /h	0	6	9	12	15	18	21	24	27	30	36	42	
	kW	HP	H = TOTAL HEAD METRES COLUMN OF WATER													
DL(M) 80-DLF(M) 80	0,6	0,8	7,6	5,9	5,3	4,7	4,1	3,6	3,0							
DL(M) 90-DLF(M) 90	0,6	0,8	9,7	7,8	7,0	6,4	5,8	5,3	4,7	4,1	3,5					
DL 105 - DLF105	1,1	1,5	14,1	11,6	10,6	9,7	8,9	8,1	7,4	6,7	5,9	5,2				
DL(M) 109	1,1	1,5	18,3	15,4	14,2	13,1	12,0	11,0	10,1	9,2	8,2	7,3	5,4			
DL 125	1,5	2	21,9	19,2	17,9	16,7	15,5	14,4	13,4	12,3	11,3	10,3	8,4	6,5		

These performances are valid for liquids with density  $\rho = 1,0 \text{ kg/dm}^3$  and kinematic viscosity  $\nu = 1 \text{ mm}^2/\text{s}$ .

dl-2p50-en\_b\_th

## Electrical data

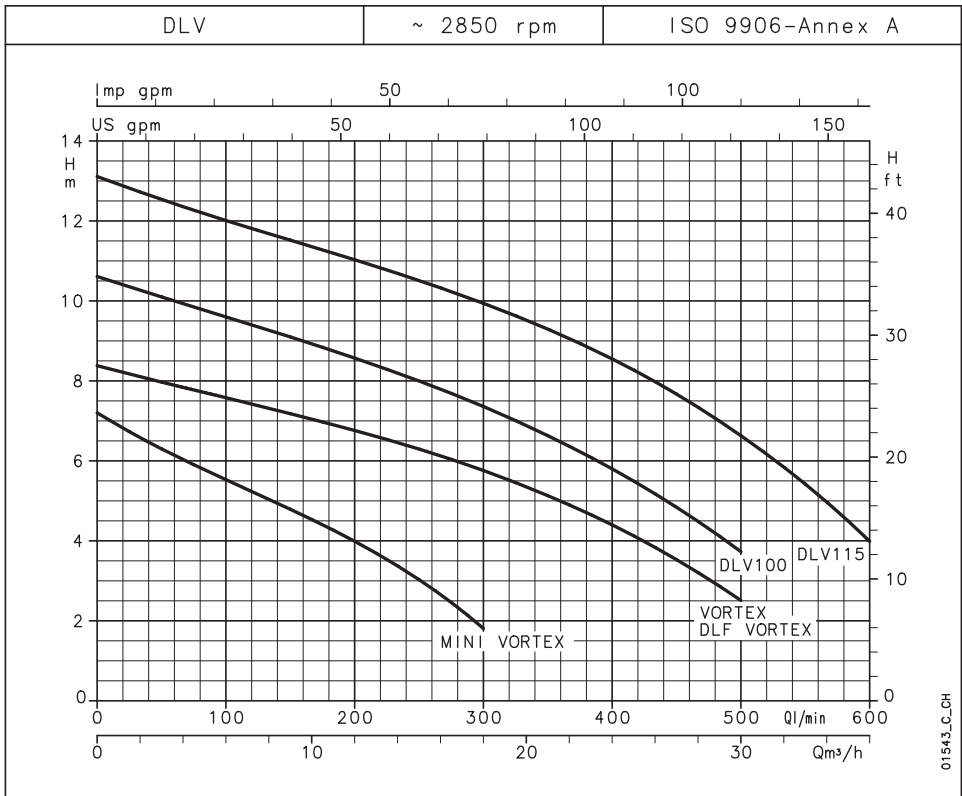
PUMP TYPE	ABSORBED POWER*		CAPACITOR	PUMP TYPE	ABSORBED POWER*		ABSORBED CURRENT*
	SINGLE-PHASE				THREE-PHASE		
	kW	A	$\mu\text{F} / 450 \text{ V}$		kW	A	A
DLM80-DLFM80	0,79	3,91	25	DL80-DLF80	0,8	-	2,09
DLM90-DLFM90	0,89	4,27	25	DL90-DLF90	0,92	3,81	2,2
-	-	-	-	DL105-DLF105	1,43	4,66	2,69
DLM109	1,55	6,87	35	DL109	1,54	5,44	3,14
-	-	-	-	DL125	2,14	6,58	3,8

\*Maximum values within operating range.

dl-2p50-en\_b\_te

# DLV SERIES

## Operating characteristics at 50 Hz, 2 poles



## DLV SERIES

### Hydraulic performance table

PUMP TYPE	RATED POWER		Q = DELIVERY													
			l/min	50	100	150	200	250	300	350	400	450	500	600		
			m³/h	3	6	9	12	15	18	21	24	27	30	36		
		H = TOTAL HEAD METRES COLUMN OF WATER														
	kW	HP	7,2	6,3	5,5	4,8	4,0	3,0	1,8							
MINI VORTEX(M)	0,6	0,8	7,2	6,3	5,5	4,8	4,0	3,0	1,8							
VORTEX-DLF VORTEX	1,1	1,5	8,4	8,0	7,6	7,2	6,8	6,3	5,8	5,1	4,4	3,5	2,5			
DLV(M) 100	1,1	1,5	10,6	10,1	9,6	9,1	8,6	8,0	7,4	6,6	5,8	4,8	3,7			
DLV 115	1,5	2	13,1	12,5	12,0	11,5	11,0	10,5	9,9	9,3	8,5	7,7	6,6	4,0		

These performances are valid for liquids with density  $\rho = 1,0 \text{ kg/dm}^3$  and kinematic viscosity  $\nu = 1 \text{ mm}^2/\text{s}$ .

dlv-2p50-en\_b\_th

## Electrical data

PUMP TYPE	ABSORBED POWER*	ABSORBED CURRENT*	CAPACITOR	PUMP TYPE	ABSORBED POWER*	ABSORBED CURRENT*	ABSORBED CURRENT*
	kW	A	$\mu\text{F} / 450 \text{ V}$		kW	A	A
MINI VORTEX M	1,05	4,82	25	MINI VORTEX	1,10	-	2,36
-	-	-	-	VORTEX-DLF VORTEX	1,66	5,11	2,95
DLVM100	1,64	7,30	35	DLV 100	1,65	5,63	3,25
-	-	-	-	DLV 115	2,25	6,81	3,93

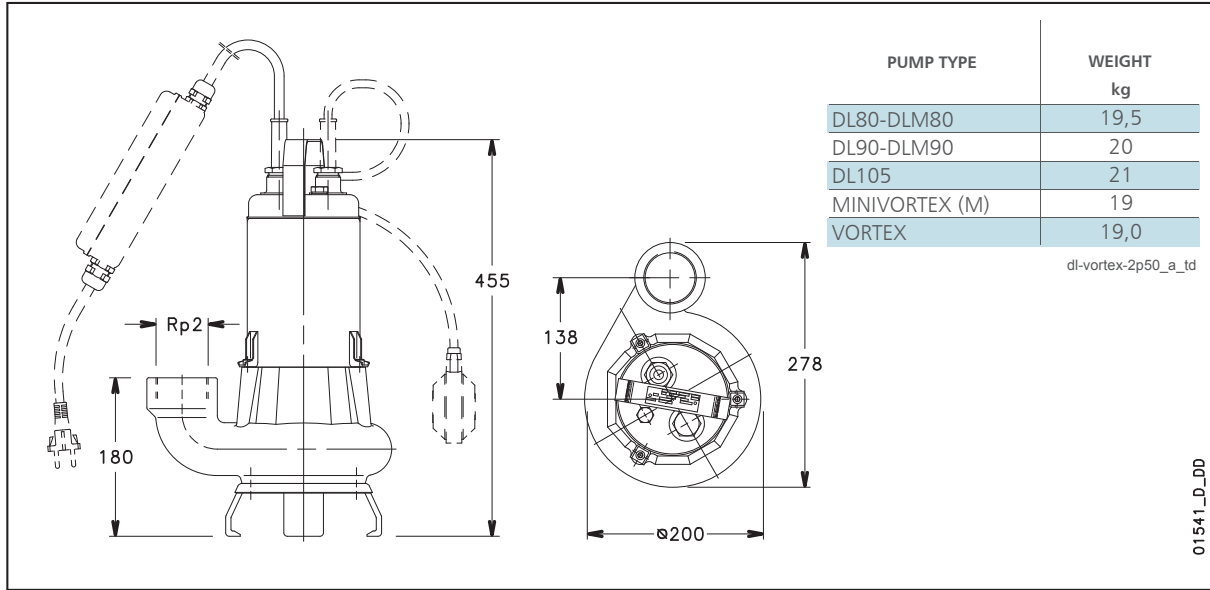
\*Maximum values within operating range.

dlv-2p50-en\_b\_te

# DL - VORTEX SERIES

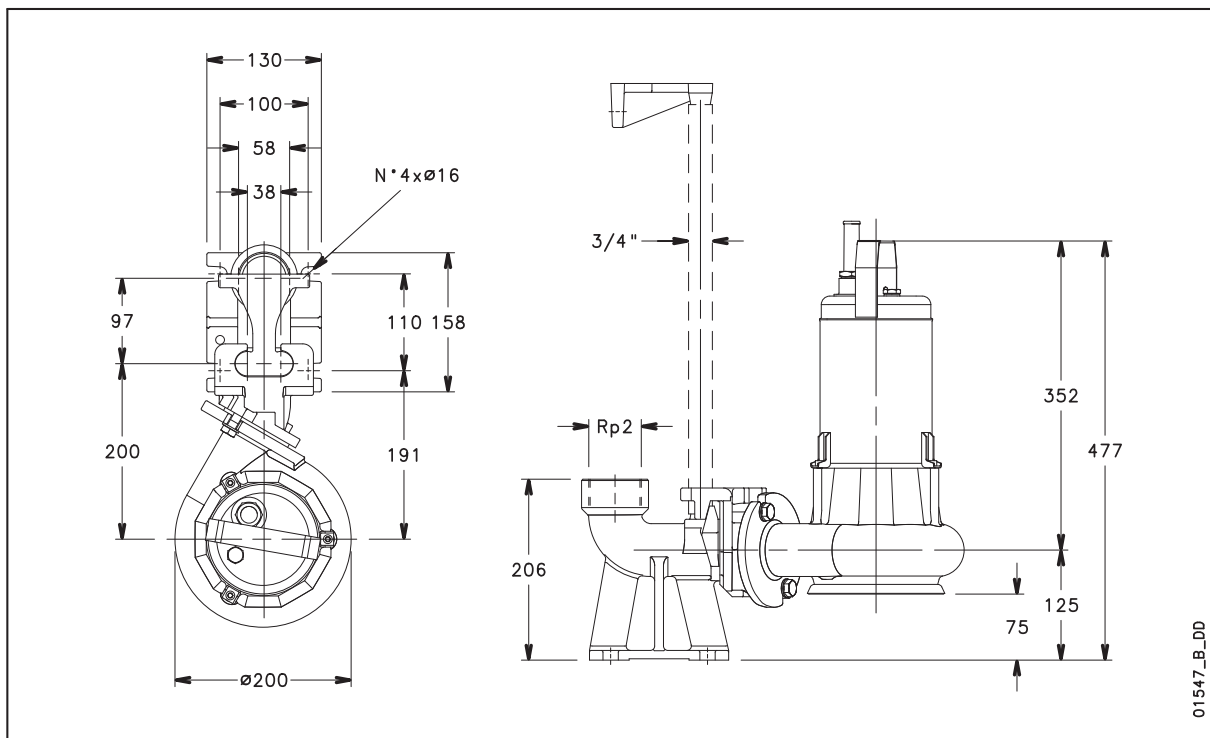
## Dimensions and weights

3



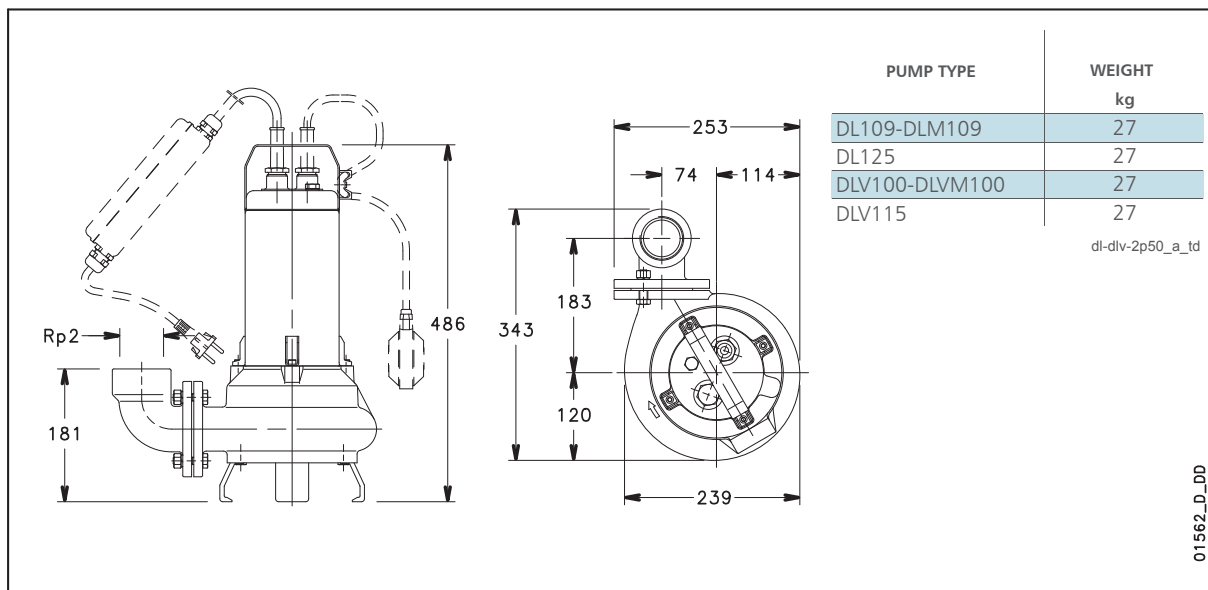
# DLF SERIES

## Installations examples



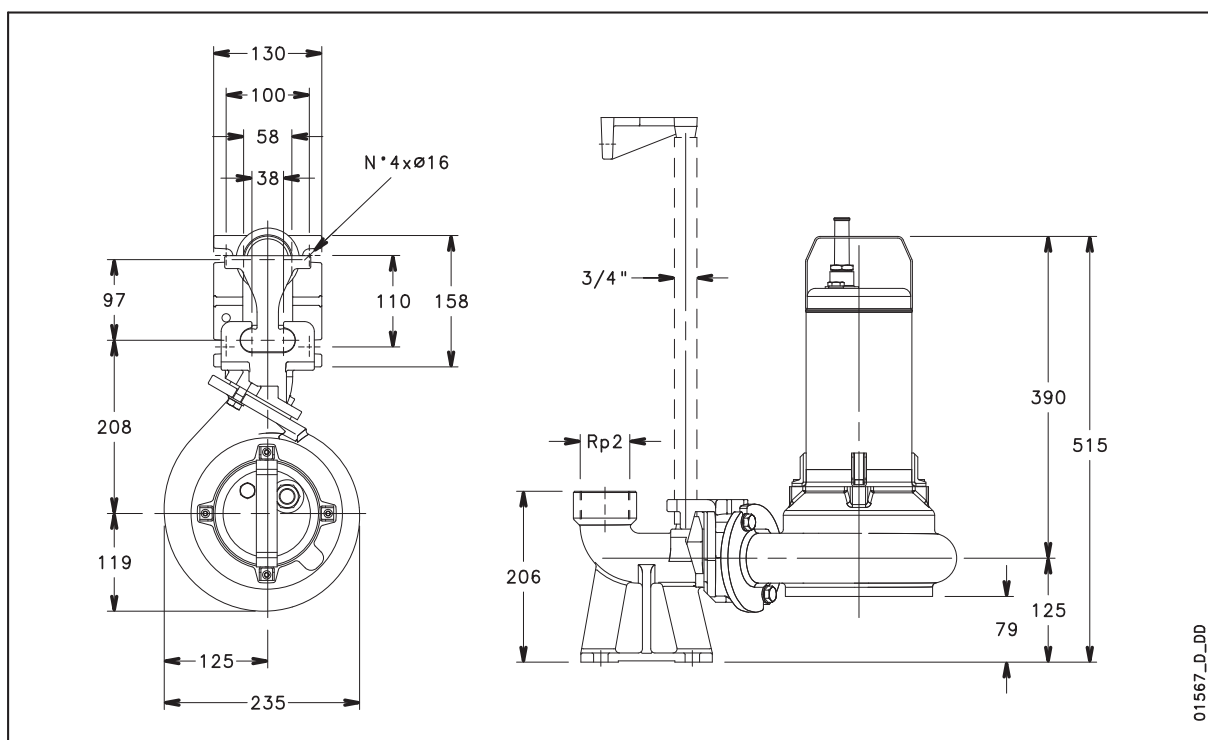
# DL - VORTEX SERIES

## Dimensions and weights



# DL - VORTEX SERIES

## Installations examples



AUSTRALIAN DISTRIBUTOR



CALL 1300 789 466  
 When Pump Knowledge Matters  
[www.kelairpumps.com.au](http://www.kelairpumps.com.au)