

# DOC Series

Submersible pumps for clean and dirty water. Corrosion-resistant and compact, they are available in three versions with channel or Vortex impellers. Supplied with or without float switch. Built-in capacitor. The motor is cooled by the pumped liquid and thermal overload protection to protect the pump in case of overheating.

## Specifications

Delivery: up to 14 m<sup>3</sup>/h  
Head: up to 11 m  
Power supply: three-phase and single-phase 50 and 60 Hz  
Power: 0.25 kW to 0.55 kW  
Maximum immersion depth: 5 m  
Temperature of pumped liquid: 0°C to +40°C  
Liquids with suspended solids: DOC 3 and DOC 7 up to 10 mm, DOC 7VX up to 20 mm  
Insulation class: B  
Protection: IP68  
Length of cable:  
5 m (for internal use)  
10 m (for external use)

## Materials

Pump body: Noryl®  
Suction screen: Noryl®  
Handle: Noryl®  
Upper support: Noryl®  
Impeller: Noryl®  
Outer sleeve: Stainless steel  
Motor casing: Stainless steel  
Lower cover: Stainless steel  
Screws and tie-rods: Stainless steel  
Shaft extension: Stainless steel  
Elastomers: NBR

## Applications

Emptying of residential sump pits, rain water tanks

---

Garden and lawn irrigation

---

Emptying of tanks or reservoirs

---

Emergency draining of flooded areas or rooms

---

Available on request: "shallow suction device" (for DOC 3 and DOC 7) assuring complete drainage of flooded floors (up to 3 mm from floor)

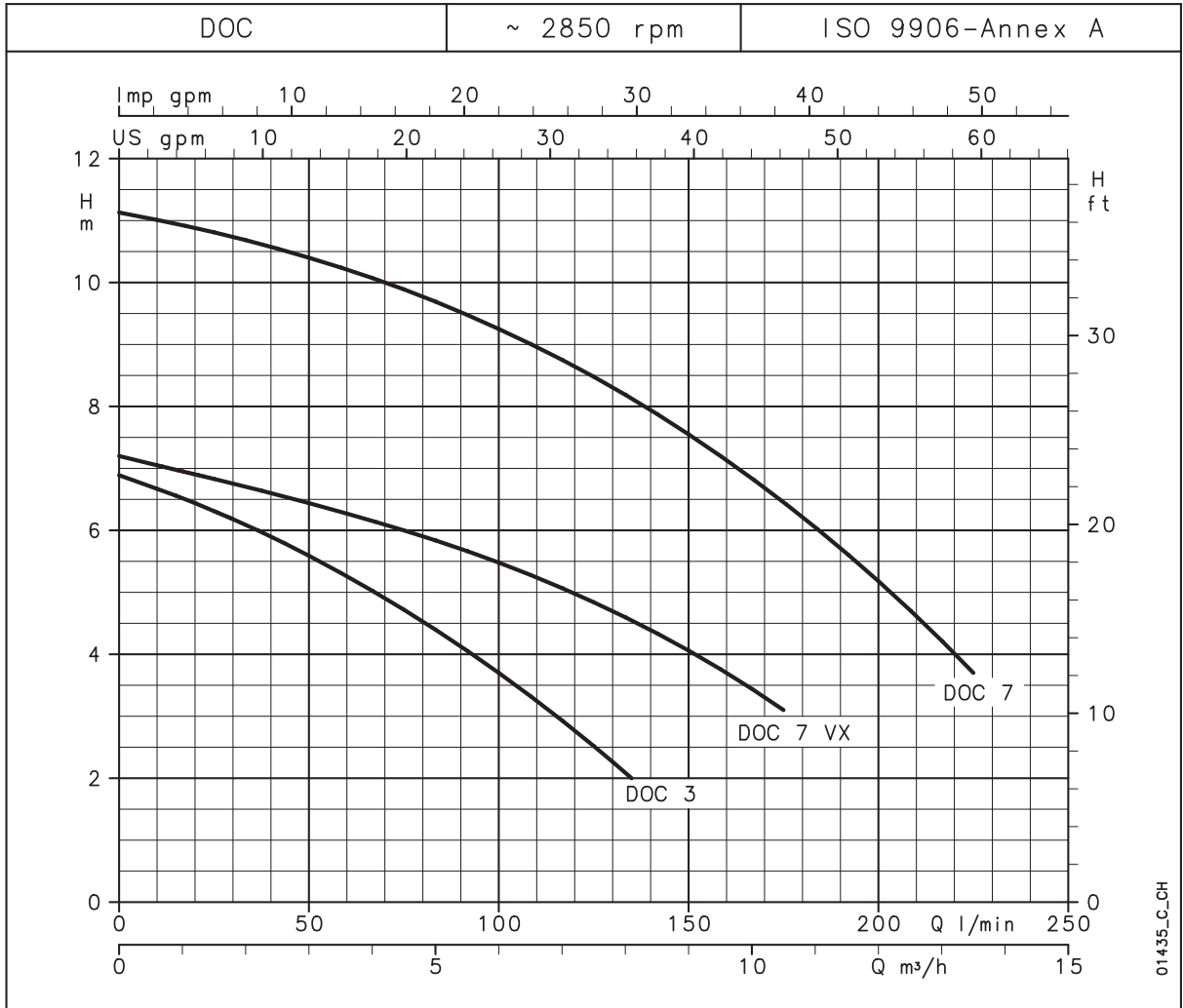


For a complete list of technical information, consult [www.lowara.com](http://www.lowara.com)

# DOC SERIES

## Operating characteristics at 50 Hz

3



# DOC SERIES

## Hydraulic performance table

PUMP TYPE	RATED POWER		Q = DELIVERY									
			l/min	0	25	50	75	100	125	135	175	225
	kW	HP	m <sup>3</sup> /h	0	1,5	3	4,5	6	7,5	8,1	10,5	13,5
	H = TOTAL HEAD IN COLUMN OF WATER (METRES)											
DOC3	0,25	0,33	6,9	6,3	5,6	4,7	3,7	2,5	2,0			
DOC7(T)	0,55	0,75	11,1	10,8	10,4	9,9	9,3	8,5	8,1	6,5	3,7	
DOC7VX(T)	0,55	0,75	7,2	6,8	6,4	6,0	5,5	4,8	4,5	3,1		

These performances are valid for liquids with density  $\rho = 1.0 \text{ kg/dm}^3$  and kinematic viscosity  $\nu = 1 \text{ mm}^2/\text{s}$ .

doc-2p50\_b\_th

## Electrical data

PUMP TYPE	INPUT POWER*		CAPACITOR	PUMP TYPE	INPUT POWER*		INPUT CURRENT*
	SINGLE-PHASE				THREE-PHASE		
	kW	INPUT CURRENT* 220-240 V A	$\mu\text{F} / 450 \text{ V}$		kW	INPUT CURRENT* 220-240 V A	INPUT CURRENT* 380-415 V A
DOC 3	0,31	1,43	6,3	-	-	-	-
DOC 7	0,78	3,47	16	DOC 7T	0,79	2,82	1,63
DOC 7VX	0,66	2,96	16	DOC 7VXT	0,66	2,68	1,55

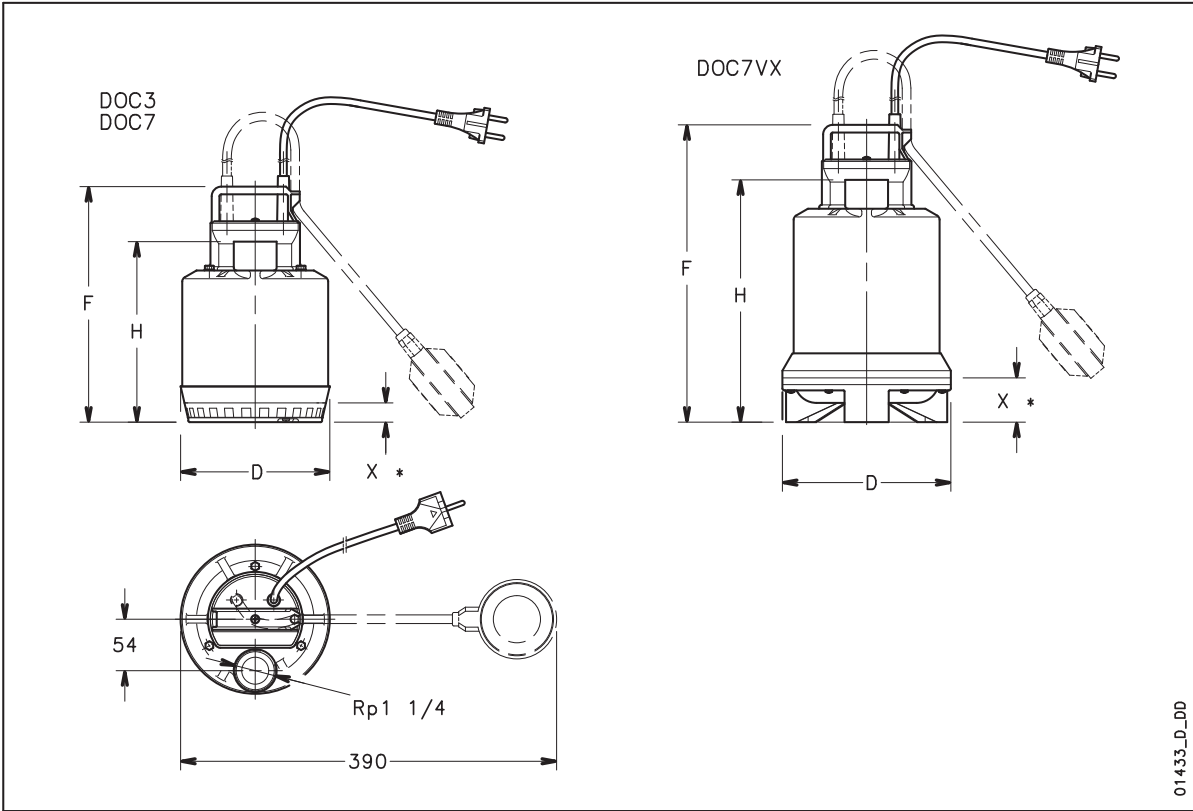
\*Maximum value in specified range

doc-2p50\_a\_te

# DOC SERIES

## Dimensions and weights

3

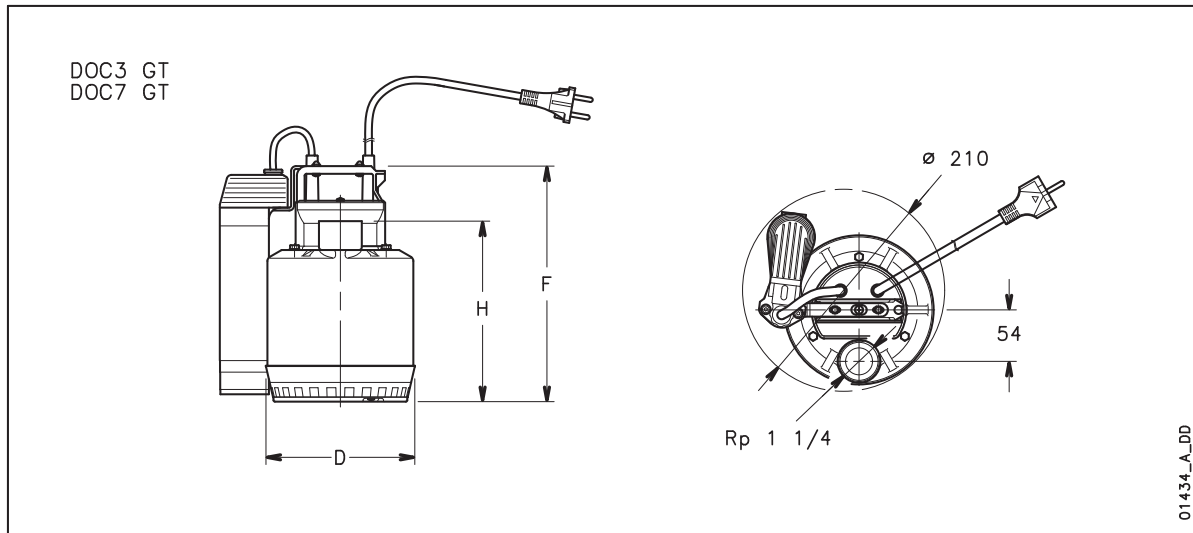


01.433\_D\_DD

PUMP TYPE		DIMENSIONS (mm)				WEIGHT
		F	H	D	X*	kg
DOC3	DOC3 GT	245	188	155	20	4
DOC7(T)	DOC7(T) GT	285	228	155	20	6
DOC7VX(T)	-	310	252	175	45	6

\* Minimum drain level.

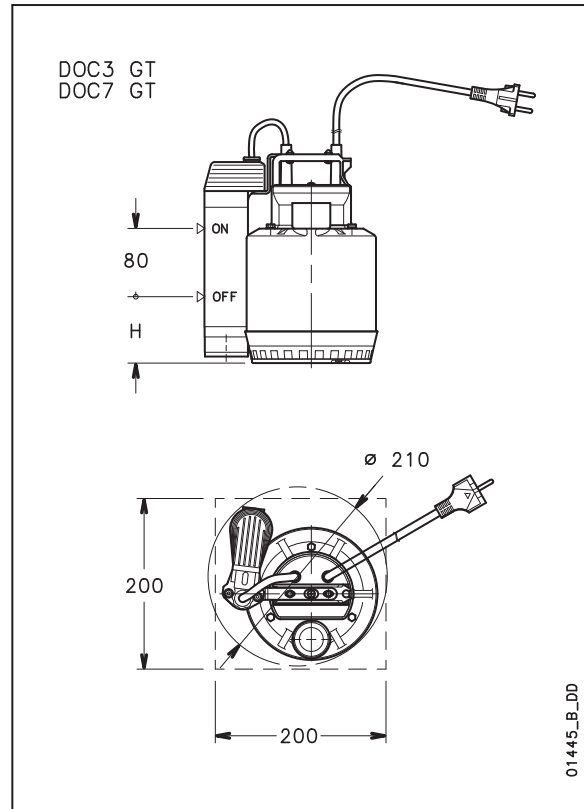
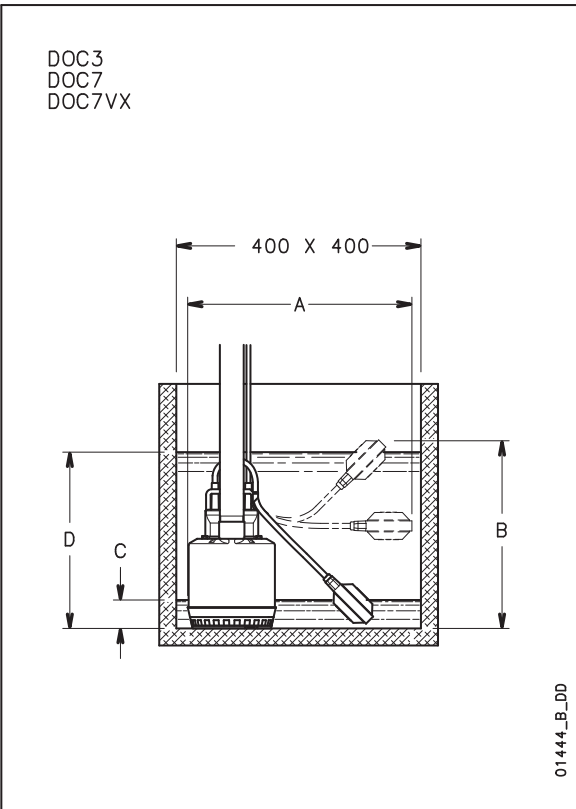
doc-2p50\_b\_td



01.434\_A\_DD

# DOC SERIES

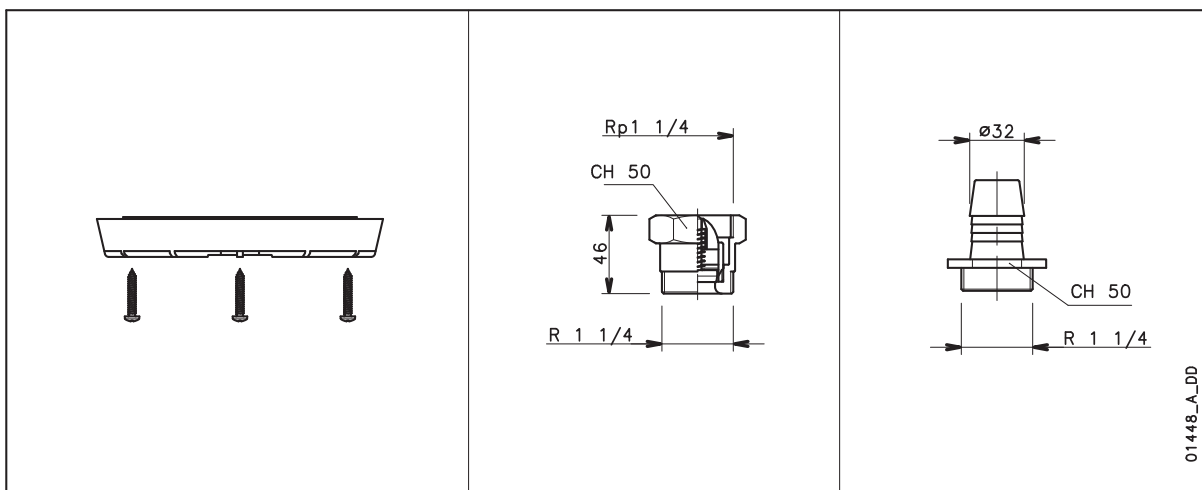
## Installation examples



PUMP TYPE		A	B	MINIMUM WATER LEVEL C	MAXIMUM WATER LEVEL D	MINIMUM WATER LEVEL H
DOC3	DOC3 GT	390	330	50	310	90
DOC7	DOC7 GT	390	370	90	350	90
DOC7VX	-	390	395	115	375	-

docliv-2p50\_c\_td

## Accessories



AUSTRALIAN DISTRIBUTOR



CALL 1300 789 466  
When Pump Knowledge Matters  
www.kelairpumps.com.au