

GJR SERIES CAVITY STYLE TECHNOLOGY

The newly improved GJR Series is your severe duty solution. From inception, the GJR has set the standard.

Abrasive fluids, such as pigmented paints and inks or metal loaded fluids, often cause significant pump wear, impacting pumping functionality and dramatically shortening pump life.

Micropump's GJR Series pumps use leading materials and design processes to deliver exceptional pump performance and reliability in challenging fluid applications.

MAGNETIC DRIVE PUMP

ABRASIVE RESISTANCE

The GJR Series is your severe duty pump of choice. Designed specifically to deliver long-life performance in aggressive environments.

UNBEATABLE PERFORMANCE

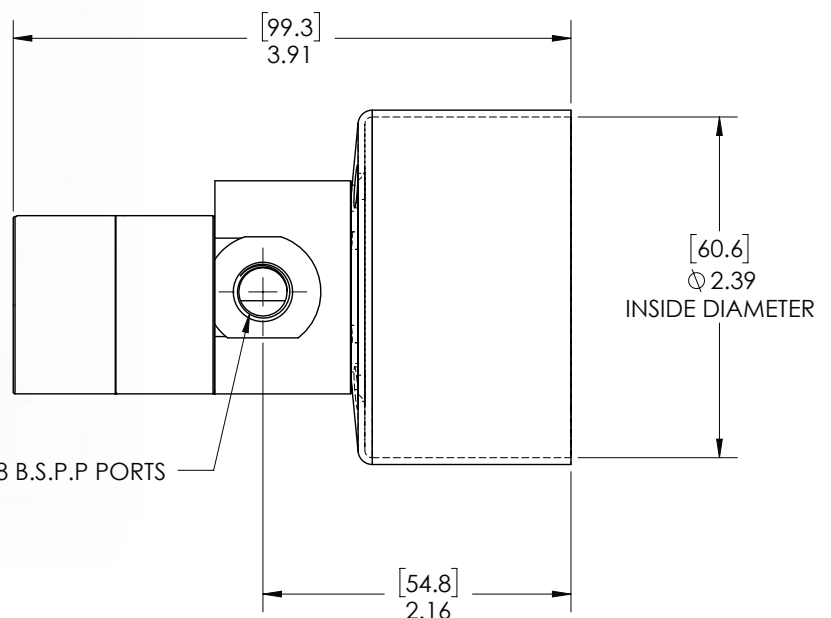
Solid carbide gear material withstands even higher differential pressures.

PREMIUM MATERIALS

316 Stainless Steel with ultimate durability coating.



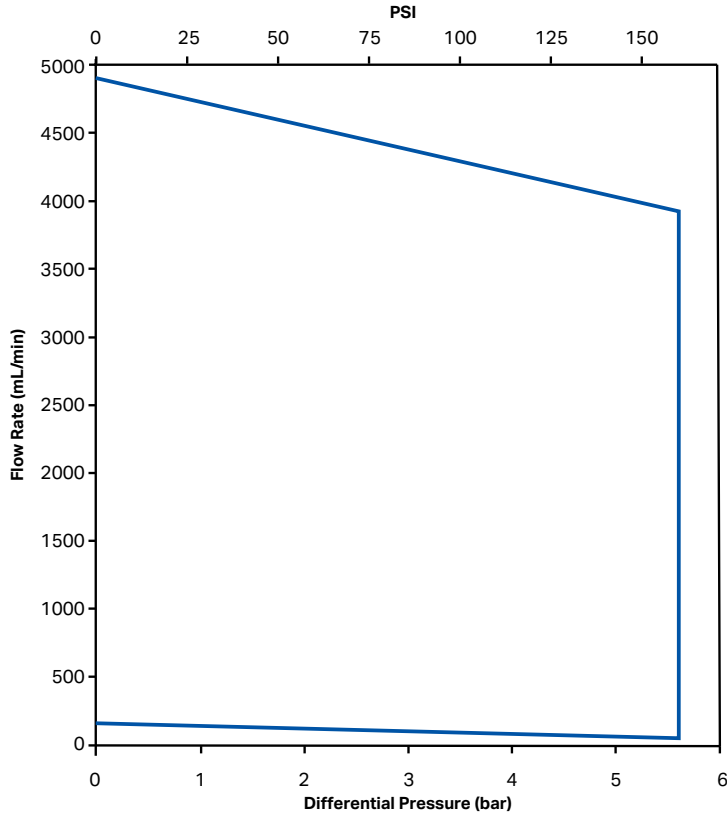
A MOUNT



MICROPUMP®

PUMP FLOW RANGE

(Based on Constant Speed Curves)



MAGNETIC GEAR PUMP FEATURES

CAVITY STYLE PUMPS

Cavity style pumps are excellent for wide-ranging inlet and outlet operating conditions and allow for intermittently pumping in reverse.

SMOOTH PULSELESS DELIVERY

Positive displacement, precision gears provide consistent fluid delivery in continuous processes.

EASY TO SERVICE

Series GA/GAH pumps are easy to service using a Micropump® service kit and simple hand tools.

LEAK FREE DESIGN

The magnetic drive and static o-ring seal(s) keep the fluid securely inside the pump and potential contaminants out.

CHEMICALLY RESISTANT

Chemically inert materials for harsh environments.

PERFORMANCE SUMMARY

DISPLACEMENT

■ Gear Set	N21	N23	N27
■ mL/rev	0.316	0.64	1.23
■ US gal/1000 rev	0.08	0.17	0.32

MAXIMUM RATED DIFFERENTIAL PRESSURE

- 5.5 Bar | 80 psi

MAXIMUM RATED SYSTEM PRESSURE

- 21 Bar | 300 psi

FLOW RATE AT 4000 RPM

- 4.92 L/min (1.30 US gpm)

TEMPERATURE RANGE

- -46 to 132 °C | -50 to 270 °F

VISCOSITY RANGE

- 0.5 to 1500 cps

MAXIMUM SPEED

- 5500 rpm

PUMP CONSTRUCTION

- Cavity Style
- Side Port
- Spur Gears
- PTFE Seal

WETTED MATERIALS

BASE MATERIAL

- 316 stainless steel

GEARS

- Solid Nickel Carbide

STATIC SEALS

- PTFE
- PTFE/ Viton*
- PTFE/ TEV*
- PTFE/ EP*

MAGNETS

DRIVEN AND DRIVING

- Ferrite
- Rare Earth*
- Electromagnetic

PRODUCT ENHANCEMENTS

- Deck Ports*

*Denotes customization or materials that may require minimum order quantities.

AUSTRALIAN DISTRIBUTOR



CALL 1300 789 466

When Pump Knowledge Matters
www.kelairpumps.com.au