

J SERIES SUBMERSIBLE DEWATERING PUMP



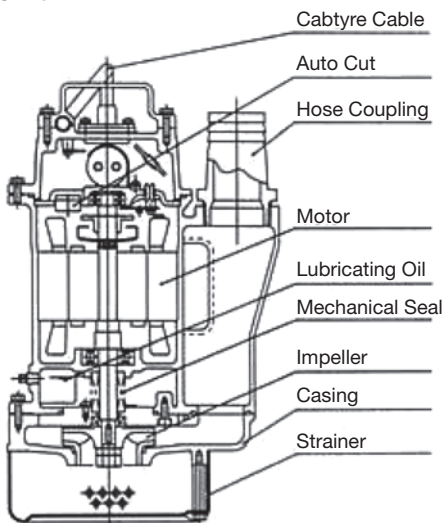
DURABLE
DEPENDABLE
VERSATILE

- All parts in contact with the liquid are made of anti-corrosive material - Molybdenum Stainless Steel (AISI316).
- Excellent chemical and heat resistance



CUT-AWAY SECTION

J-40B



MOTOR PROTECTION

Models J-40B and J212B have a built-in automatic recycling type motor protector (Auto-Cut) provided to guard against overload and locking, as well as fail-safe sealing ensuring trouble free operation.

MOTOR

The motors are designed to provide high motor efficiency. The stators comply with Class E insulation rating, high heat resistance.

SHAFT SEAL

The Double Mechanical Seals cooled and lubricated in an oil bath are equipped to ensure reliable sealing and stable service at demanding dewatering sites. Sealing surfaces both pump side and motor side feature excellent wear resistance.

*Secondary mating surfaces for Model J-222A equipped with Oil Seals

IMPELLER AND CASING

The stainless steel (AISI316) impeller housed in a heavy gauge body gives high efficiency pump performance and when combined with a stainless steel (AISI316) casing, provides excellent corrosion resistance against water containing acid, alkali, salt etc.

SUBMERSIBLE DEWATERING PUMP J SERIES



APPLICATIONS

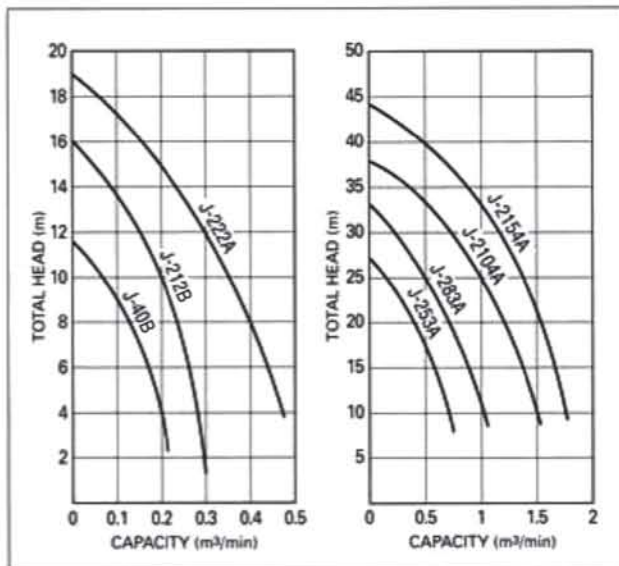
Handling Corrosive liquids in

Food, Steel, Pharmaceutical and Brewing Industries.

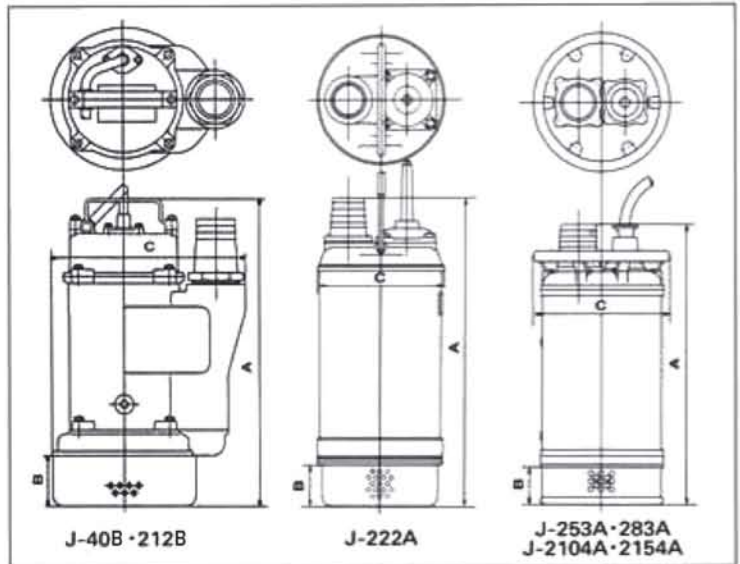
Dewatering in -

Mining, Hospitals, Paper Mills, Metal Plating Plants and various Laboratories

PERFORMANCE CURVES



DIMENSIONS



SPECIFICATIONS

MODELS	DISCHARGE DIA.		PHASE	MOTOR OUTPUT		POLE	HEAD		CAPACITY		DIMENSIONS			CABLE LENGTH		WEIGHT (WITHOUT CABLE)	
	mm	in		kW	HP		m	ft	m³/min	imp·GPM	mm			m	ft	kg	lbs
											A	B	C				
J-40B	50	2	1	0.4	1/2	2	7	23	0.15	33	390	65	245	5	16	19	42
J-212B	50	2	3	0.75	1	2	10	33	0.2	44	390	65	245	10	33	20	44
J-222A	50	2	3	1.5	2	2	15	49	0.2	44	470	63	195	10	33	37	82
J-253A	80	3	3	3.7	5	2	17	56	0.5	110	625	87	315	10	33	92	203
J-283A	80	3	3	5.5	8	2	25	82	0.5	110	655	87	315	10	33	98	216
J-2104A	100	4	3	7.5	10	2	25	82	1	220	710	96	360	20	66	127	280
J-2154A	100	4	3	11	15	2	33	108	1	220	740	96	360	20	66	137	302

AUSTRALIAN DISTRIBUTOR



CALL 1300 789 466

When Pump Knowledge Matters

www.kelairpumps.com.au