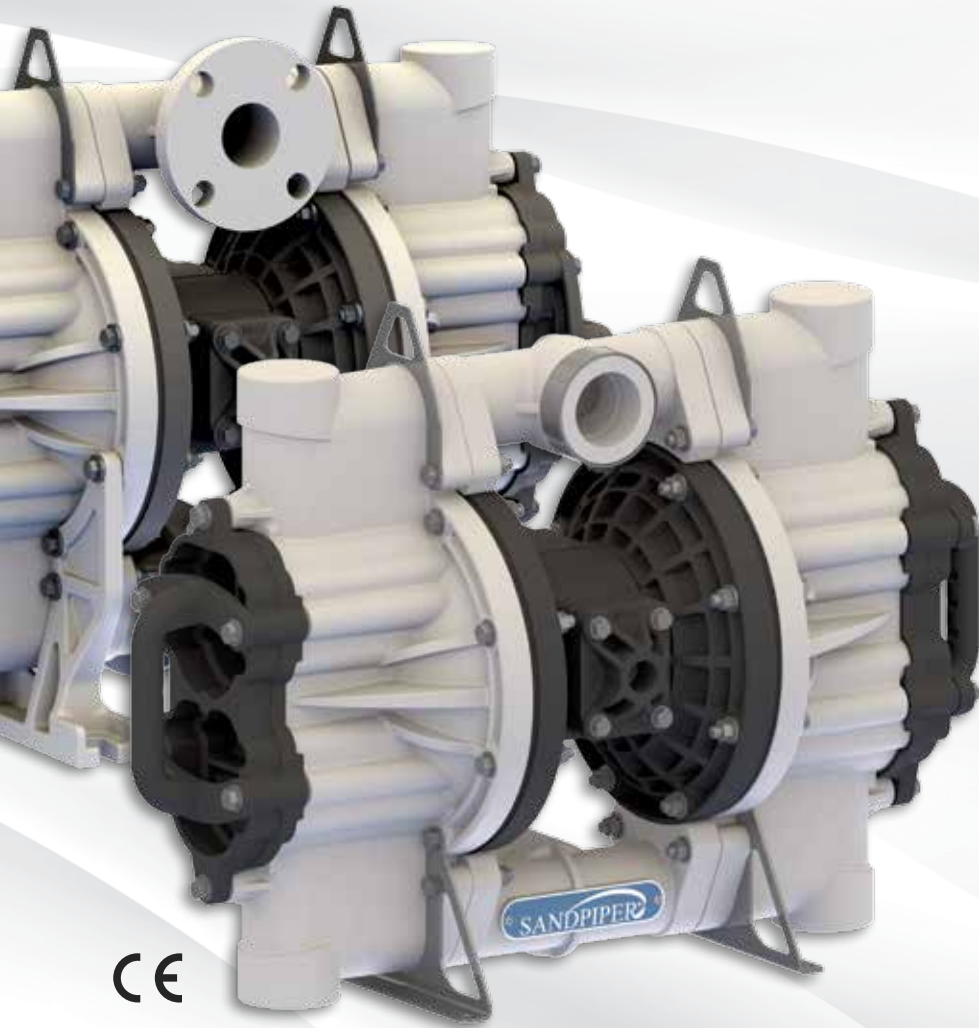


# 2" NON-METALLIC FLAP VALVE

Air Operated Double Diaphragm (AODD) Pump



**SANDPIPER**  
A WARREN RUPP, INC. BRAND



The 2" Heavy Duty Non-Metallic Flap Valve Pump has been designed to solve the most common problems in mine dewatering, sump, and chemical transfer applications.



#### Bottom Discharge

Gravity assist is ideal for pumping liquids with settling solids



#### ESADS+Plus Air Valve

Externally Serviceable Air Distribution System



#### Best-in-class air consumption

Less than 65 SCFM at Max pump flow



#### Lightweight & Portable

At 53 lbs (24 kg) it is safely and easily transported



#### All Bolted Construction

Rugged, leak free design

#### Solids Range

Up to 1.8" (46mm)

#### Superior Dry Prime

Up to 20' (6.1 m) of water

#### Flap Check Valves

Performance & solids handling

#### Porting Options

Optional flanged or threaded connection



# REDEFINING THE FLAP VALVE PUMP

## YOUR MINING, GENERAL INDUSTRIAL & CHEMICAL SOLUTION

The robust, yet lightweight design allows for ease of maintenance and movement, and is ideal for handling solids and corrosive fluids. This unique pump has been engineered to fully function in any position, includes lifting handles and hanging points, and has durable mounting feet. This is an ideal solution for numerous applications.



### Lightweight & Durable

The non-metallic, lightweight design makes it easily portable at 53 lbs (24 kg)



### Reliability Guarantee

Strongest diaphragm connecting rod in the industry is guaranteed to not bend or yield in operation



### Rugged Design

Stainless steel seats prevent abrasion when pumping solids laden fluids



### Optimum Solids Handling

Hinge pads exert positive pressure on the flaps, allowing the pump to operate in virtually any position; they help deliver superior suction lift and flow rates



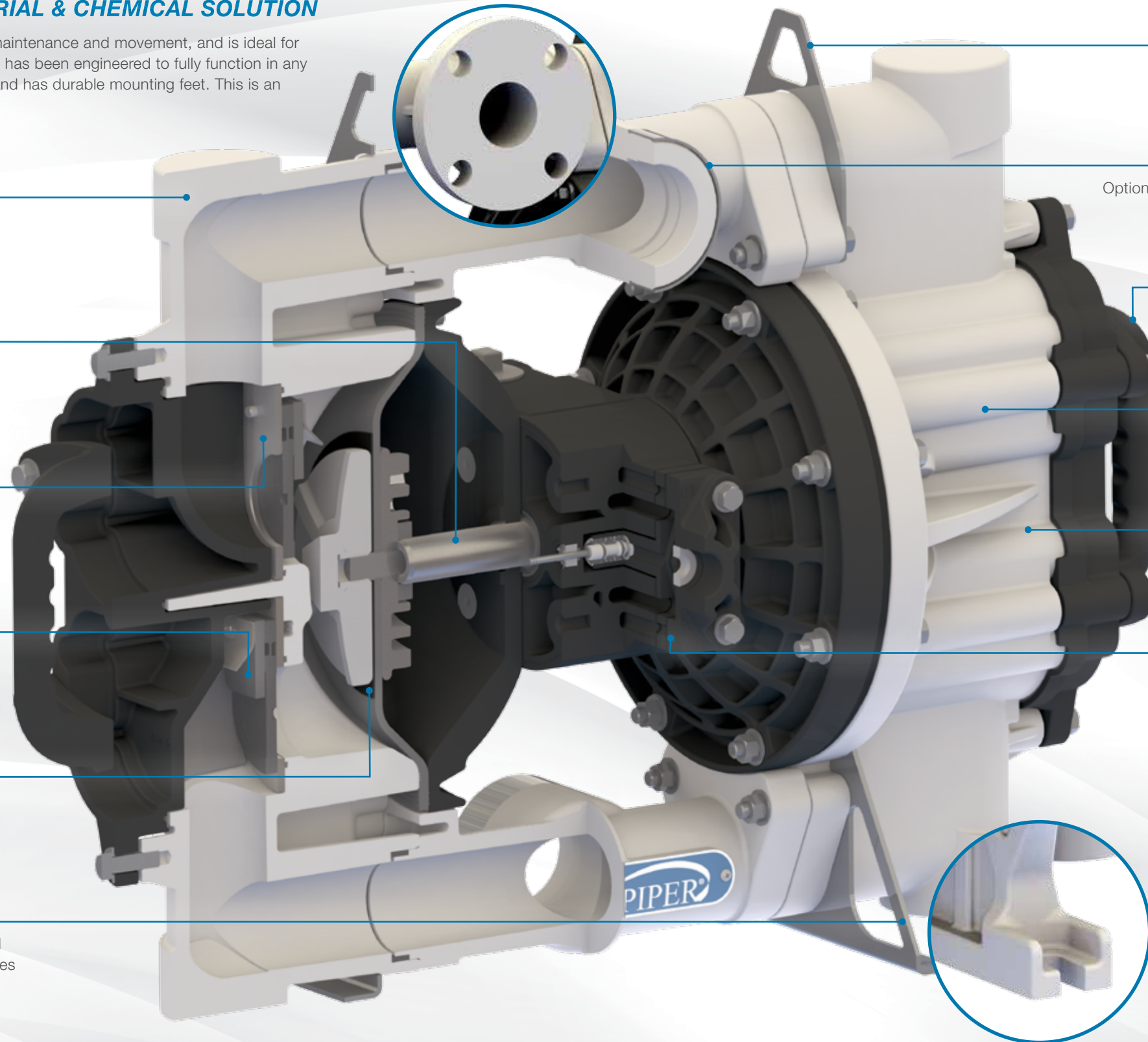
### Long Life

A proven diaphragm design in conjunction with exclusive wear pads reduce plate abrasion, delivering extended life



### Purpose Built Base

The threaded version features stainless steel mounting feet and the flanged version features Polypropylene mounting feet



### Industrial Mounting Capabilities

Addition of stainless steel hanging points located on the manifold allow for multiple mounting options



### Strong Manifold Connections

Optional flanged or threaded connection for additional flexibility: Stainless steel reinforcing rings help protect the threaded manifold connections from being damaged



### Ergonomic Handle

Lifting handles come standard, allowing for easy pump transport; handles can be rotated 90 degrees for proper ergonomics, depending on desired use



### Unsurpassed Performance

Industry leading flow rates, suction lift, air efficiency and displacement per stroke



### Versatile Design

This pump will function in any position, including uneven surfaces



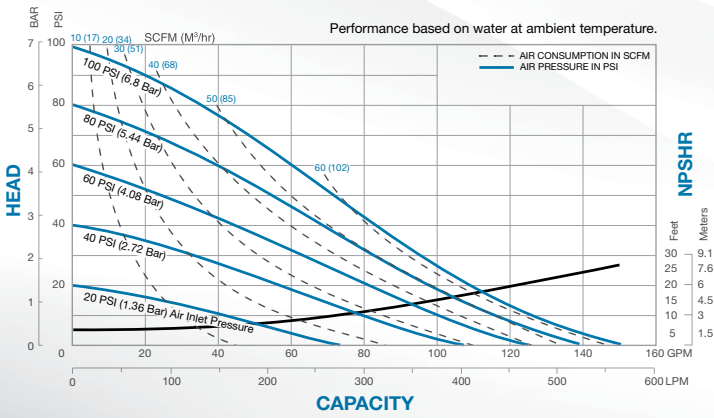
### Simple Maintenance

With our signature ESADS+Plus (Externally Serviceable Air Distribution System) air valve design and externally serviceable flap valve modules, in-field service is quick and easy, saving you from unnecessary downtime



Visit [SANDPIPERPUMP.COM/ESADSVIDEO](http://SANDPIPERPUMP.COM/ESADSVIDEO) to see how easy the ESADS air valve makes maintaining the 2" Non-Metallic Flap Valve.

# PERFORMANCE & DIMENSIONS



## Max Capacity

150 GPM (568 LPM)

## Displacement Per Stroke

.50 Gal (1.9 L)

## Max Discharge Pressure

100 PSI (7.0 BAR)

## Pipe Size

2" NPT / BSP / ANSI / DIN Flange

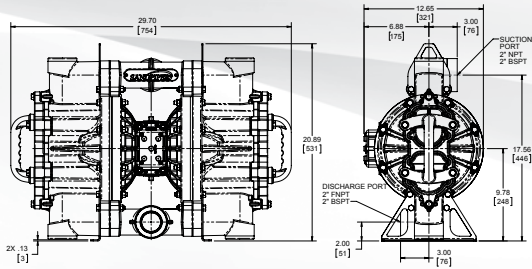
## Max Solids Handling

1.8" (46mm)

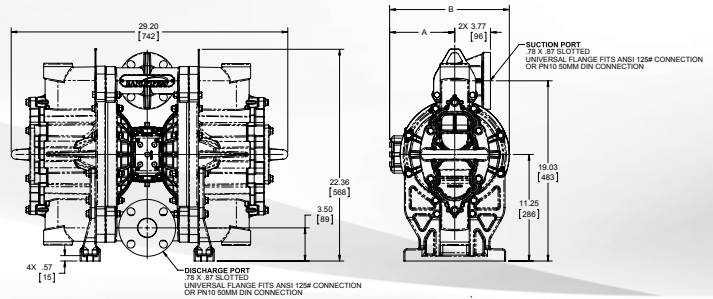
## Air End/Wet End

Polypropylene / Stainless Steel Seats (Wet End Only)

### HD20F Non-Metallic with Threaded Porting



### HD20F Non-Metallic with Flanged Porting



## EASE OF MAINTENANCE

To help increase productivity and reduce downtime, the 2" Non-Metallic Flap Valve Pump was engineered with ease of maintenance in mind.

### QUICK ACCESS TO SERVICEABLE COMPONENTS

#### 1. Remove Clean-Out Cap

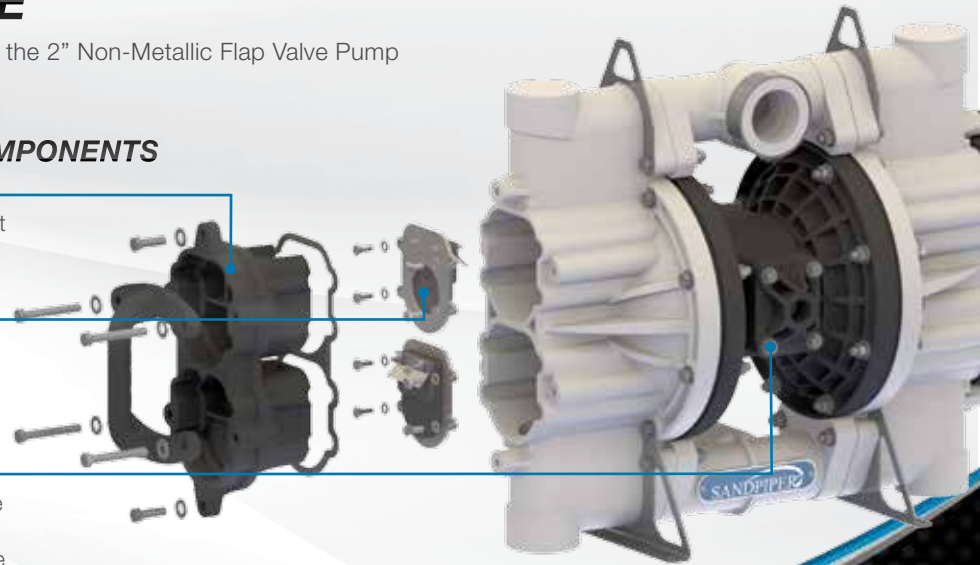
By simply removing six bolts securing the clean-out cap in place, it allows access to clear simple clogs without disassembling the entire pump

#### 2. Modular Check Valve Access

With the clean-out cap removed, the flap valves can be inspected and / or replaced as needed; four bolts hold the modular flap valves in place for quick maintenance and repair

#### 3. ESADS+Plus

Proven air distribution system allows for maintenance and / or repair of both pilot valve and air valve components without removing the pump from service



**SANDPIPER**  
A WARREN RUPP, INC. BRAND

Warren Rupp, Inc.



**IBEX**

Contact Your Local Distributor to Place Your Order:

AUSTRALIAN DISTRIBUTOR



**KelairPumps**

CALL 1300 789 466

When Pump Knowledge Matters

[www.kelairpumps.com.au](http://www.kelairpumps.com.au)

