

3" SANDPIPER NON-METALLIC AODD BALL VALVE PUMP

CLASS LEADING PERFORMANCE, EASIEST TO MAINTAIN

EVOLUTION

OPTIMIZED PERFORMANCE

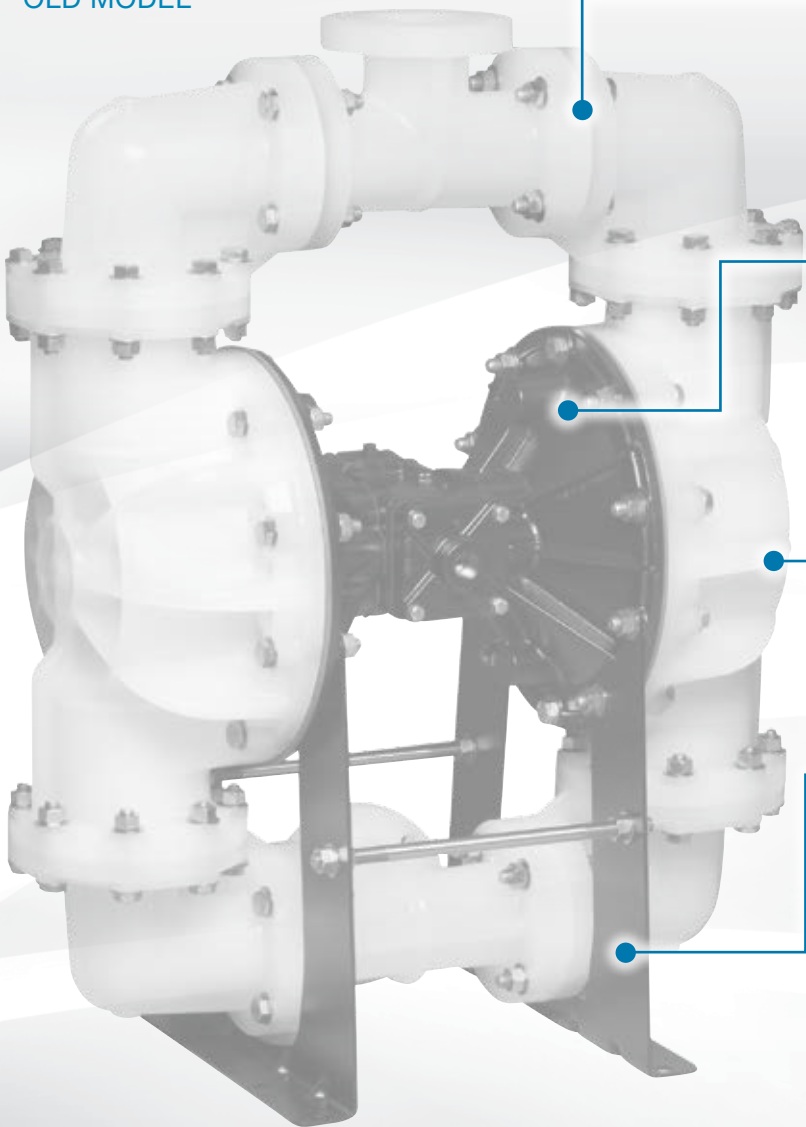


IBEX

SANDPIPER[®]
A WARREN RUPP, INC. BRAND | SANDPIPERPUMP.COM

3" NON-METALLIC STANDARD DUTY BALL VALVE PUMP

OLD MODEL



ELIMINATED SPACERS BETWEEN ELBOWS AND MANIFOLD

Reduces number of potential leak points, less parts

REPLACED ALUMINUM CENTER SECTION WITH POLYPROPYLENE

Improves internal and environmental corrosion resistance and reduces weight; same intermediate used in the S1F, S15, & S20

INCREASED MAXIMUM FLOW RATE

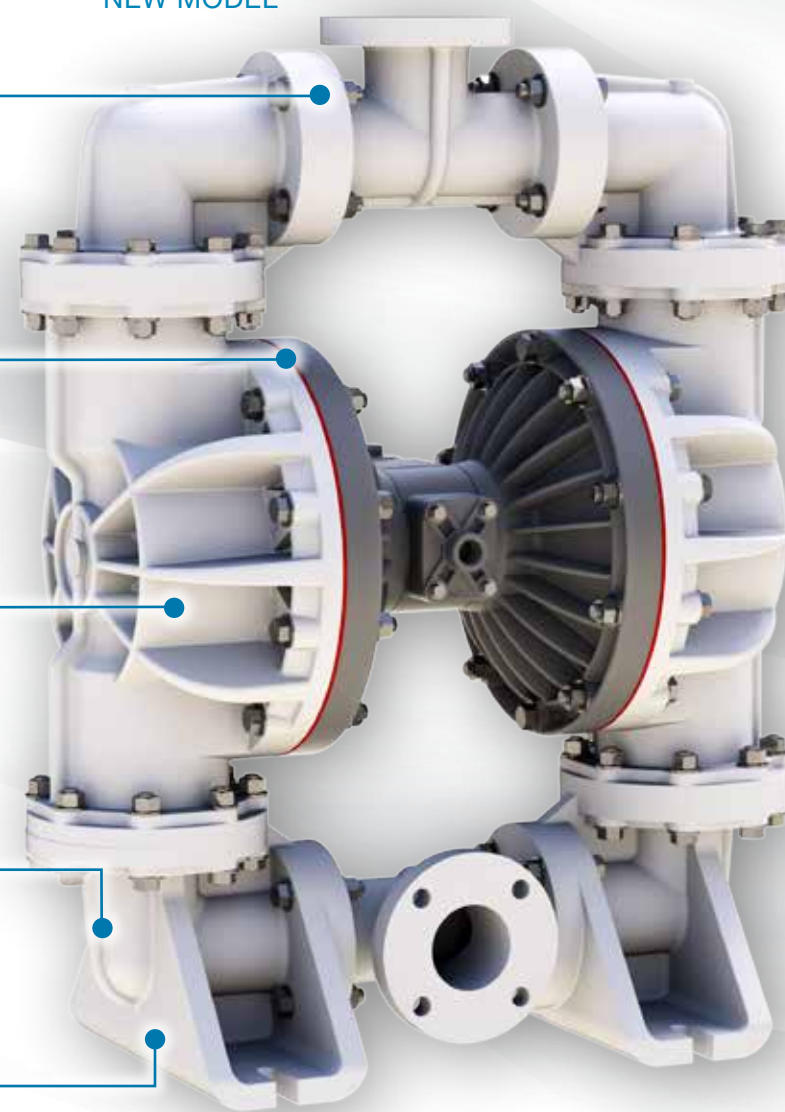
Rate has increased from 238 GPM (901 LPM) to 280 GPM (1,060 LPM)

REPLACED STEEL MOUNTING FEET WITH MOLDED POLYPROPYLENE

Improves environmental corrosion resistance and reduces weight

24% LIGHTER THAN PREVIOUS MODEL

NEW MODEL



THE BEST CHOICE FOR BULK CHEMICAL TRANSFER APPLICATIONS:

- Available in corrosion resistant Polypropylene or PVDF
- Class leading maximum flow rate and efficiency
- ESADS+ Air Distribution System. The only pump in its class with an externally serviceable air distribution system
- 24% lighter than previous model
- Stainless steel bolted construction

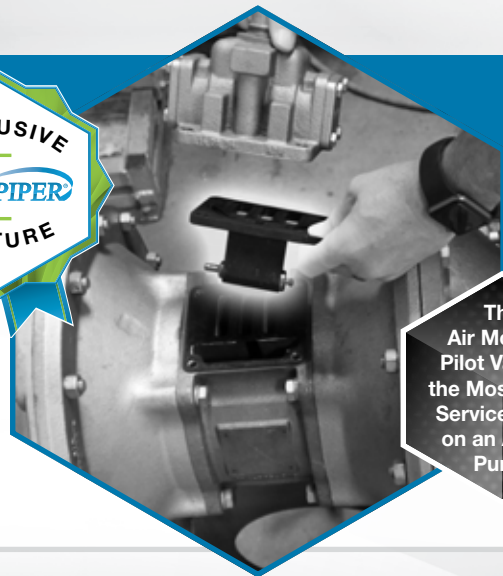
What is **EVOLUTION**?

OPTIMIZED PERFORMANCE

Optimized performance without sacrificing **proven reliability**. These pumps have undergone an engineering **EVOLUTION**, leveraging trusted and proven product designs to **improve performance** by application of advanced engineering methods.

SANDPIPER'S EXTERNALLY SERVICEABLE AIR DISTRIBUTION SYSTEM (ESADS+PLUS)

Allows for quick and easy access to the pilot and spool valves without removing the pump from service, maximizing uptime.



The Air Motor's Pilot Valve is the Most Often Serviced Part on an AODD Pump

SANDPIPER

5 MINUTES - MAINTENANCE / CLEANING

SAVES MONEY - LESS DOWNTIME



COMPETITORS

55+ MINUTES - MAINTENANCE / CLEANING

COSTS MONEY - MORE DOWNTIME



Competitor pumps require complete disassembly and re-assembly of many parts, requiring additional knowledge and time.

S30 NON-METALLIC SPECS

PERFORMANCE

SUCTION / DISCHARGE PORT SIZE

- 3" ANSI Flange or 80mm DIN Flange

CAPACITY

- 0 to 280 GPM (0 to 1,060 LPM)

AIR DISTRIBUTION VALVE

- No-lube, no-stall design

SOLIDS HANDLING

- Up to .75 in. (19mm)

HEADS UP TO

- 100 psi or 231 ft. of water
(7 bar or 70 meters)

MAXIMUM OPERATING PRESSURE

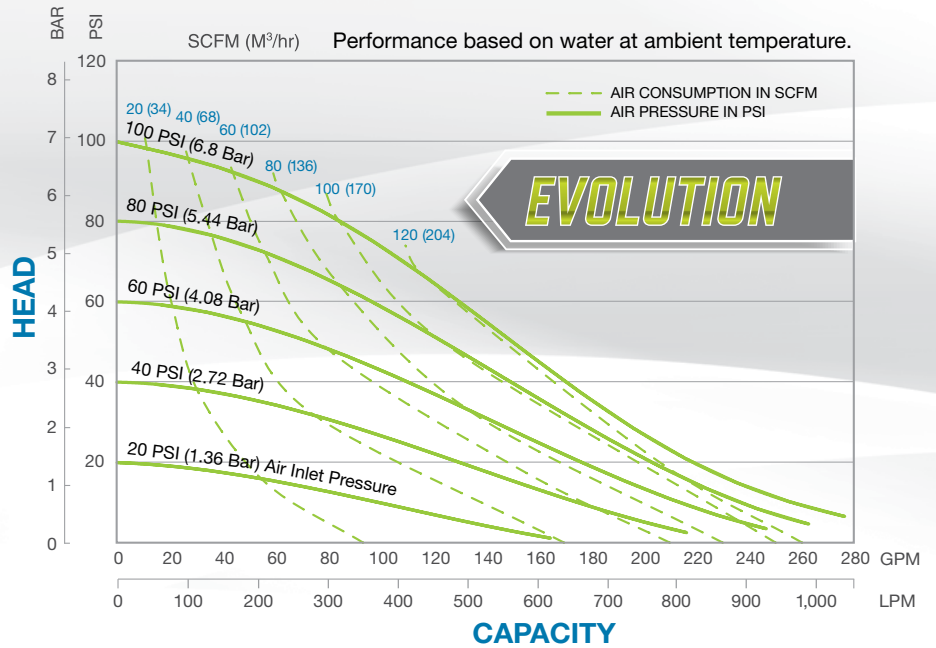
- 100 psi (7 bar)

DISPLACEMENT / STROKE

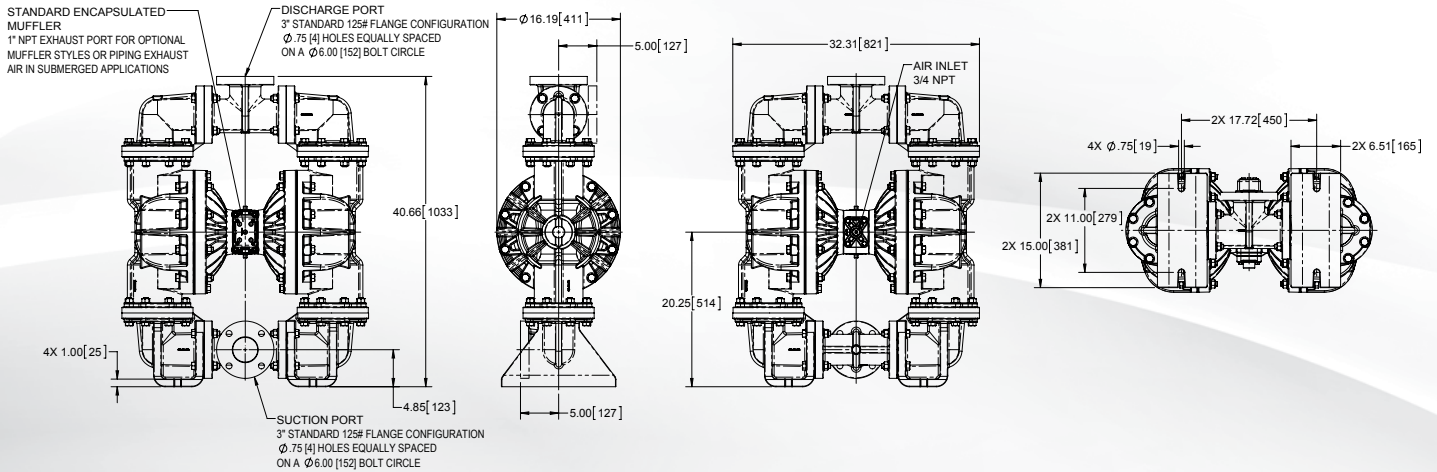
- 1.0 Gallon / 3.8 liter

WEIGHTS

- Polypropylene: 208 lbs (94 kg)
- PVDF: 271 lbs (123 kg)



DIMENSIONS



DIAPHRAGM
CONNECTING
ROD GUARANTEE



EXCLUSIVE
SANDPIPER
FEATURE



ESADS+PLUS
ANTI-STALL
AIR VALVE GUARANTEE



SAI GLOBAL
ISO 9001 Certified
ISO 14001 Certified



LEARN MORE AT: SANDPIPERPUMP.COM/EVOLUTION

SANDPIPER®

Warren Rupp, Inc. | A Unit of IDEX Corporation
800 North Main Street, Mansfield, OH 44902 USA
Phone: 419.524.8388 | Fax: 419.522.7867
SANDPIPERPUMP.COM



KelairPumps

CALL 1300 789 466

When Pump Knowledge Matters
www.kelairpumps.com.au

