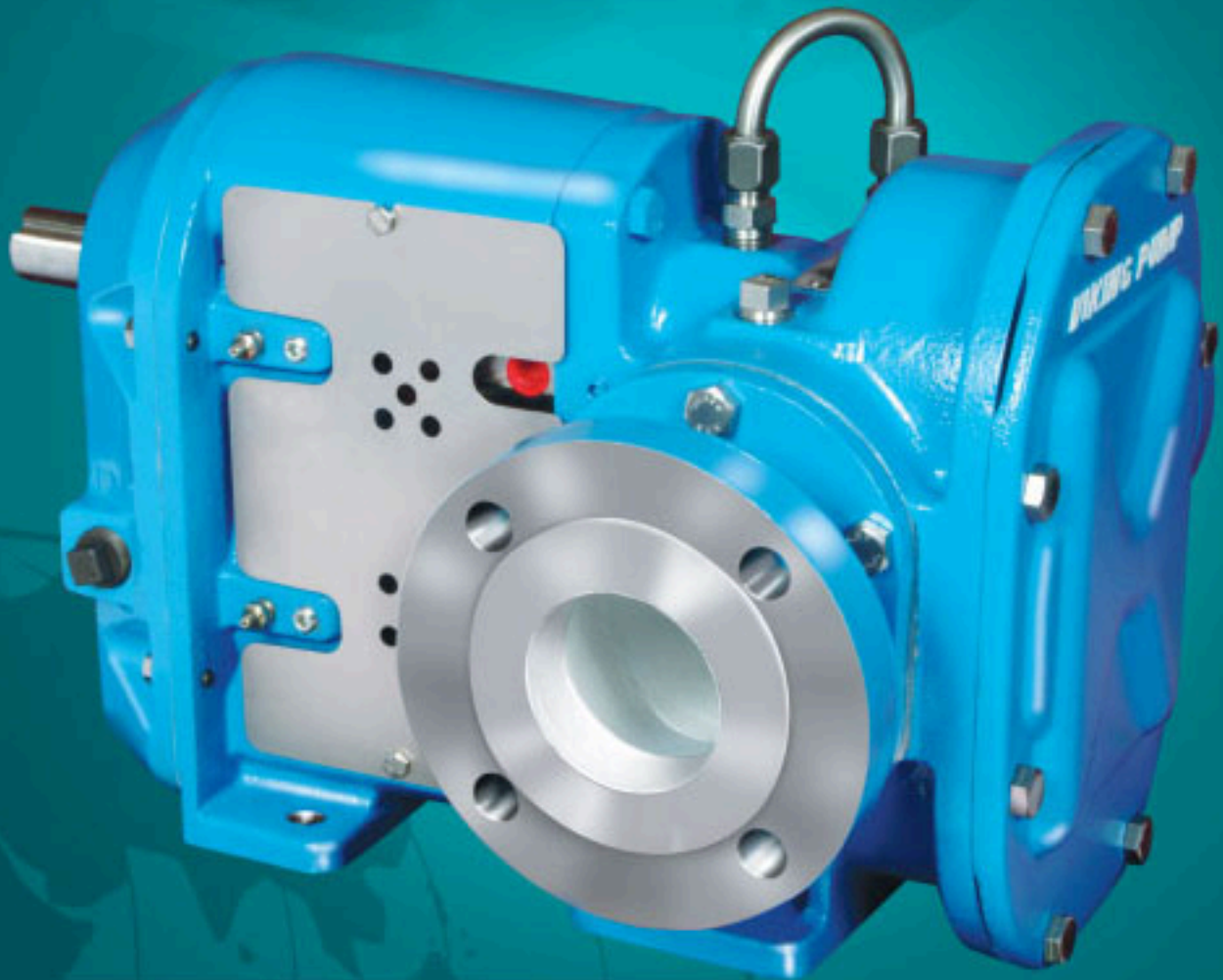


VIKING

- Shear-Sensitive Fluids
- Low- to Very-High-Viscosity Fluids
- Corrosive Chemicals
- Hard-to-Seal Fluids
- Medium- to High-Pressure Applications
- Loading and Unloading (reversing) Applications
- Fluid Transfer or Process Metering Applications



Capacity: to 820 GPM (186 M³/Hr)

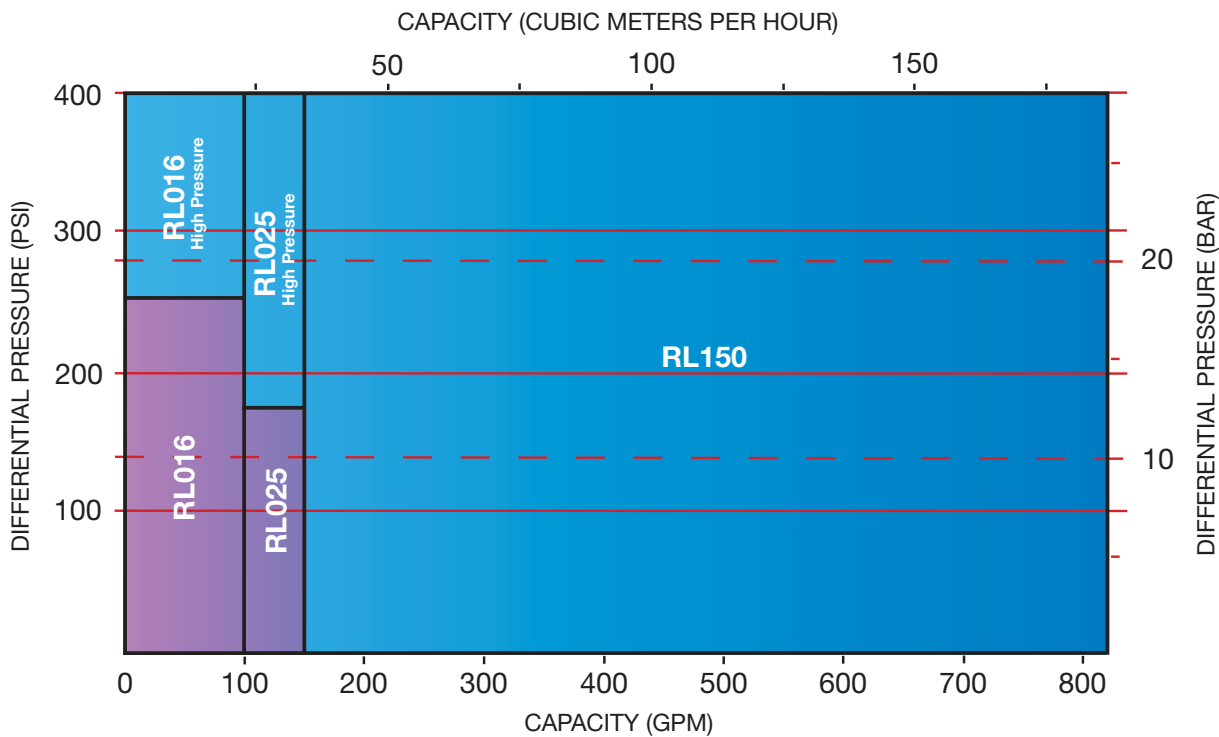
Pressure: to 400 PSI (to 27 Bar)

Viscosity: to 2,000,000 SSU (440,000 cSt)

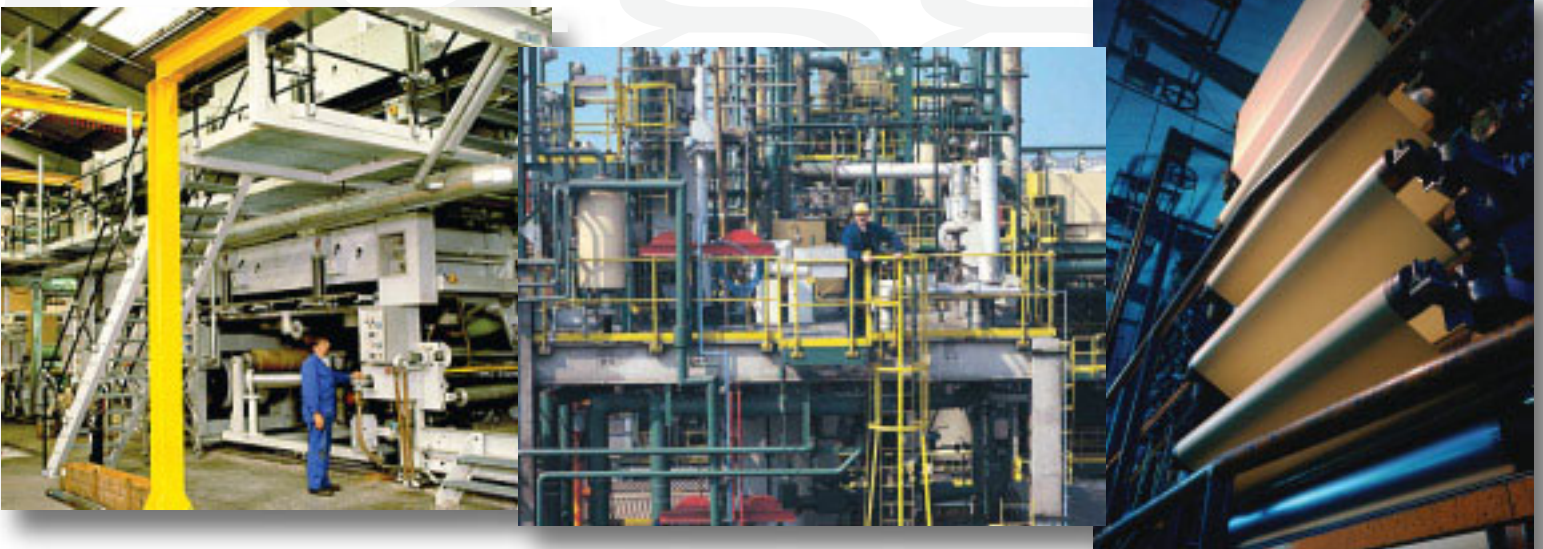
Temperature: -40°F to 400°F (-40°C to 204°C)

Big Capacity, Plenty of Pressure, Low Shear, Flexible Sealing & Porting.

Hydraulic Coverage



Typical Applications



Serving Applications For:

- Paper Coatings
- Automotive Paint
- Sugars and Starches
- Polymers & Chemicals
- Dyes, Resins & Coatings

A Special Pump For Special Applications

Solving Problem Applications

- Designed to pump liquids that challenge other pumps, including shear-sensitive liquids, liquids with solids, low lubricity liquids, and high viscosity liquids.
- Pump materials available to accommodate corrosive, abrasive, or high temperature liquids.
- Excellent for self-priming and suction lift applications.

The Pumping Principle

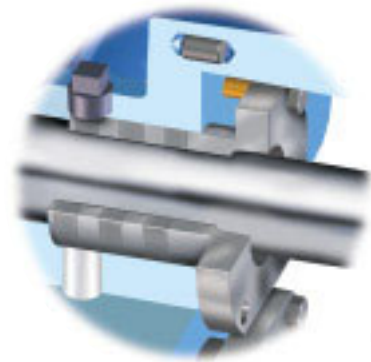
- Pumping elements are bi-wing rotary lobes that provide a gentle, non-shearing, low pulsation pumping action.
- Liquid feeds the lobes from three sides to provide excellent suction performance on viscous liquids.
- The lobes of the pump are of a non-contacting design that allows long, trouble-free operation where other pumping principles falter.

The Options

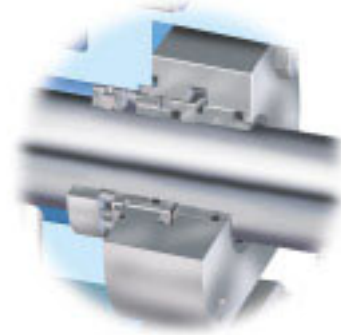
- Four bushing design available for applications to 400 psi.
- Accommodates a range of sealing options.
- Special pumping element materials and clearances for low viscosity liquids.
- Hardened shafts, bushings and seal options are available for abrasive liquids.

The Benefits

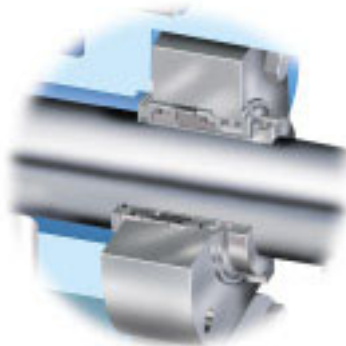
- Won't degrade the special properties of your liquid.
- Stands up to applications that cause premature failure in other pumps.
- Simple design is easy to maintain – no time-consuming shimming.
- Design can be readily flushed/cleaned with steam, hot water, or solvents between batches.



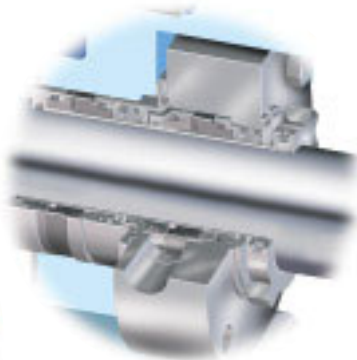
Packed Gland
(RL016 & 025)



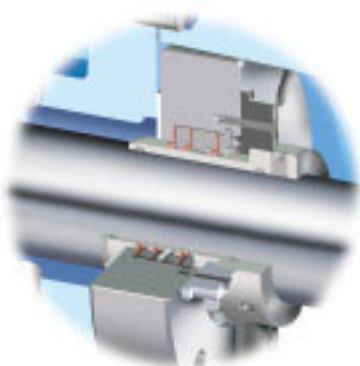
Component Single Mechanical Seal
(RL016 & 025)



Cartridge Single Mechanical Seal



Cartridge Double Mechanical Seal



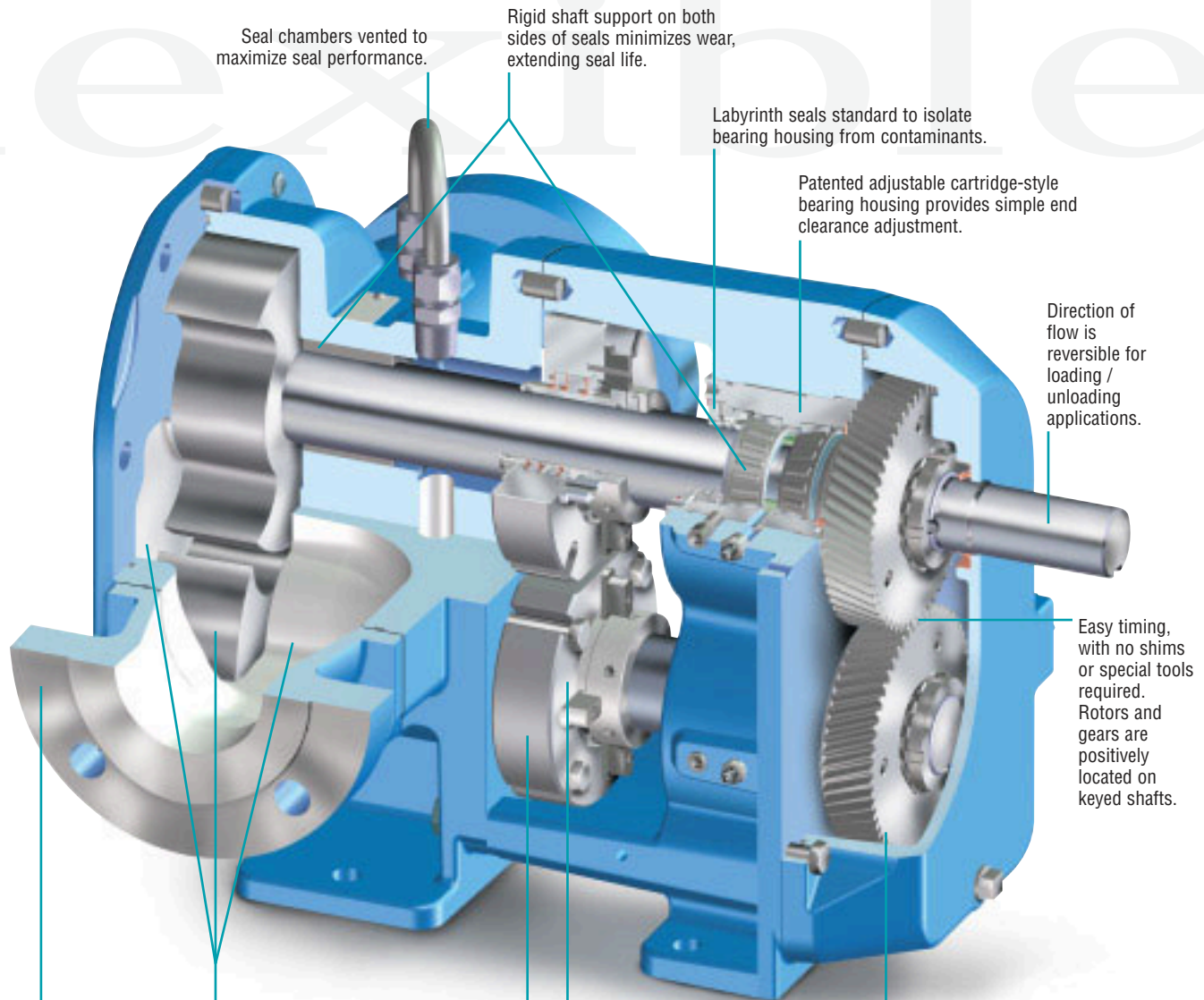
Cartridge Triple Lip Seal

With
**MAXIMUM
SEALING**
Flexibility

stai

VIKING reliability

in an industrial lobe series



Seal chambers vented to maximize seal performance.

Rigid shaft support on both sides of seals minimizes wear, extending seal life.

Labyrinth seals standard to isolate bearing housing from contaminants.

Patented adjustable cartridge-style bearing housing provides simple end clearance adjustment.

Direction of flow is reversible for loading / unloading applications.

Easy timing, with no shims or special tools required. Rotors and gears are positively located on keyed shafts.

Fluid access on three sides of lobes enhances filling with highly viscous fluids.

A variety of port sizes, flange ratings, and styles are available to match the ports to the system requirements.

Seal Availability

- Uses standard shaft sizes.
- Accepts standard, off-the-shelf seals from John Crane®, FlowServe®, FluidTec®, and many others

Helical timing gears help to minimize backlash, reduce wear, and reduce noise.

Sealing Options

- Cartridge triple lip seals (shown)
- Cartridge single or double mechanical seals
- Packing (RL016 & 025)
- Component single mechanical seals (RL016 & 025)

**Viking Pump,
worldwide producers
of internal gear,
external gear, and lobe
pump products.**

For more information, contact your local Authorized Viking Pump Distributor.

**VIKING
PUMP**

An ISO-9001 and 14001 System-Certified Company

WORLD HEADQUARTERS

VIKING PUMP, INC.

A Unit of IDEX Corporation

Cedar Falls, Iowa 50613-0008 U.S.A.

Telephone: +1 (319) 266-1741

Fax: +1 (319) 273-8157

Web site: www.vikingpump.com

IDEX
IDEX CORPORATION

Canada
Viking Pump of Canada, Inc.
Windsor, Ontario
Phone: +1 (519) 256-5438
Fax: +1 (519) 256-5070
www.vikingpumpcanada.com

Latin America
Viking Pump (Latin America)
D.F. Mexico C.F.
Phone: +52 (5) 5255-1357
Fax: +52 (5) 5255-1356

Europe
Viking Pump (Europe) Ltd.
Shannon, Ireland
Phone: +353 (61) 471933
Fax: +353 (61) 475046
www.vikingpumpeurope.com

Asia
Viking Pump, Inc.
Singapore
Phone: +65 6763-6633
Fax: +65 6764-4020
www.idexapg.com