

# MOTOR SPEED PRODUCT LINE

SERIES: 75, 475

CAST IRON CONSTRUCTION

## FEATURES & BENEFITS

- The close-coupled pump size is cut to a minimum, saving space
- Mounts directly to the motor, no drive equipment needed
- Simplified rotor retention system, economical for medium duty applications

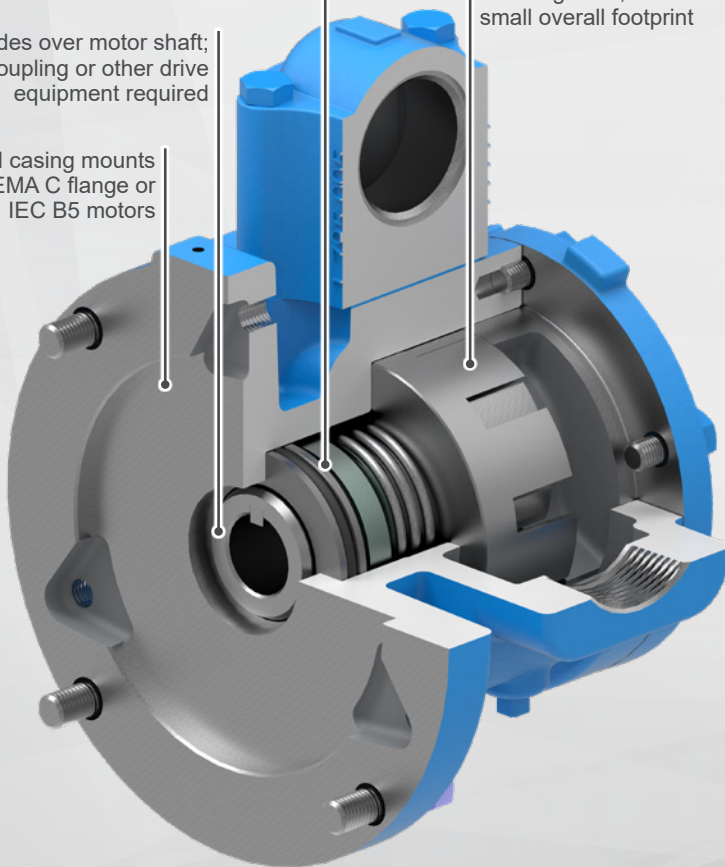


Lip seal (75 Series) or mechanical seal (475 Series) versions available

Rotor slides over motor shaft; no coupling or other drive equipment required

Flanged casing mounts directly to NEMA C flange or IEC B5 motors

Top-mounted internal relief valve prevents excessive pressures in the discharge line, while maintaining a small overall footprint



### CAPACITY

to 30 GPM  
(6.8 m<sup>3</sup>/h)



### PRESSURE

475 Series to 100 PSI (7 BAR)  
75 Series to 50 PSI (3 BAR)



### TEMPERATURE

-20°F to +350°F  
(-30°C to +175°C)



### VISCOSITY

28 to 2,500 SSU  
(1 to 550 cSt)

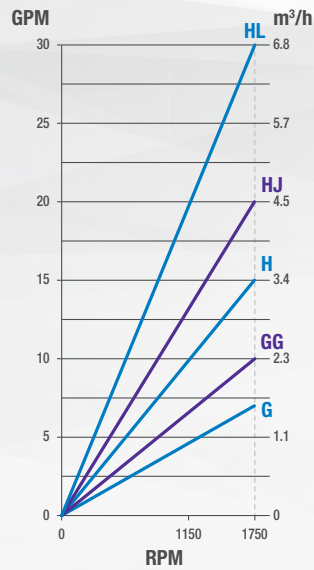


**VIKING PUMP®**

## PERFORMANCE

MODELS		SPECIFICATIONS					
Motor Mount		Performance			Standard Ports		
Lip Seal	Mechanical Seal	Max Speed, RPM	GPM	m <sup>3</sup> /h	Size, Inches	Type	
G75	G475	1750	7	1.6	1	NPT	
GG75	GG475	1750	10	2.3	1	NPT	
H75	H475	1750	15	3.4	1.5	NPT	
HJ75	HJ475	1750	20	4.5	1.5	NPT	
HL75	HL475	1750	30	6.8	1.5	NPT	

## CURVES



## PORTING

- Opposite (180°)
- NPT

## SEALING

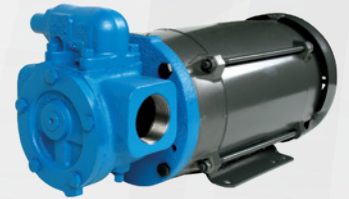
- Lip Seals
- Component Mechanical Seal

## MOUNTING

- Motor Mount  
NEMA: 56C, 143TC, 145TC, 182C, 184C  
IEC: 80, 90 B5 Flange

## DRIVES

 Motor Mounted Drive



(HL475 M Drive)

## TYPICAL APPLICATIONS

- Filtering
- Circulating
- Transferring
- Lubricating

# VIKING PUMP®

## VIKING PUMP, INC.

A Unit of IDEX Corporation  
406 State Street  
Cedar Falls, Iowa 50613 U.S.A.  
[vikingpump.com](http://vikingpump.com)

## Contact Your Stocking Distributor Today

Distributed By:

AUSTRALIAN DISTRIBUTOR



**KelairPumps**

CALL 1300 789 466

When Pump Knowledge Matters

[www.kelairpumps.com.au](http://www.kelairpumps.com.au)

United States  
[vikingpump.com](http://vikingpump.com)

Cedar Falls, Iowa  
Phone: (319) 266-1741

Canada  
[vikingpumpcanada.com](http://vikingpumpcanada.com)

Windsor, Ontario  
Phone: (519) 256-5438

Europe & Africa  
[vikingpump.com](http://vikingpump.com)

Shannon, Ireland  
Phone: +353 (61) 471933

Asia-Pacific  
[idexfmi-asia.com](http://idexfmi-asia.com)

China - Shanghai  
Phone: +86-21-5241-5599  
India - Mumbai  
Phone: +91-22-6643-5563  
Singapore  
Phone: +65-6684-7305

Middle East  
[vikingpump.com](http://vikingpump.com)

Dubai, UAE  
Phone: +971 4 2600300

Latin America  
[vikingpump.com](http://vikingpump.com)

Australia & New Zealand  
[vikingpump.com](http://vikingpump.com)

