



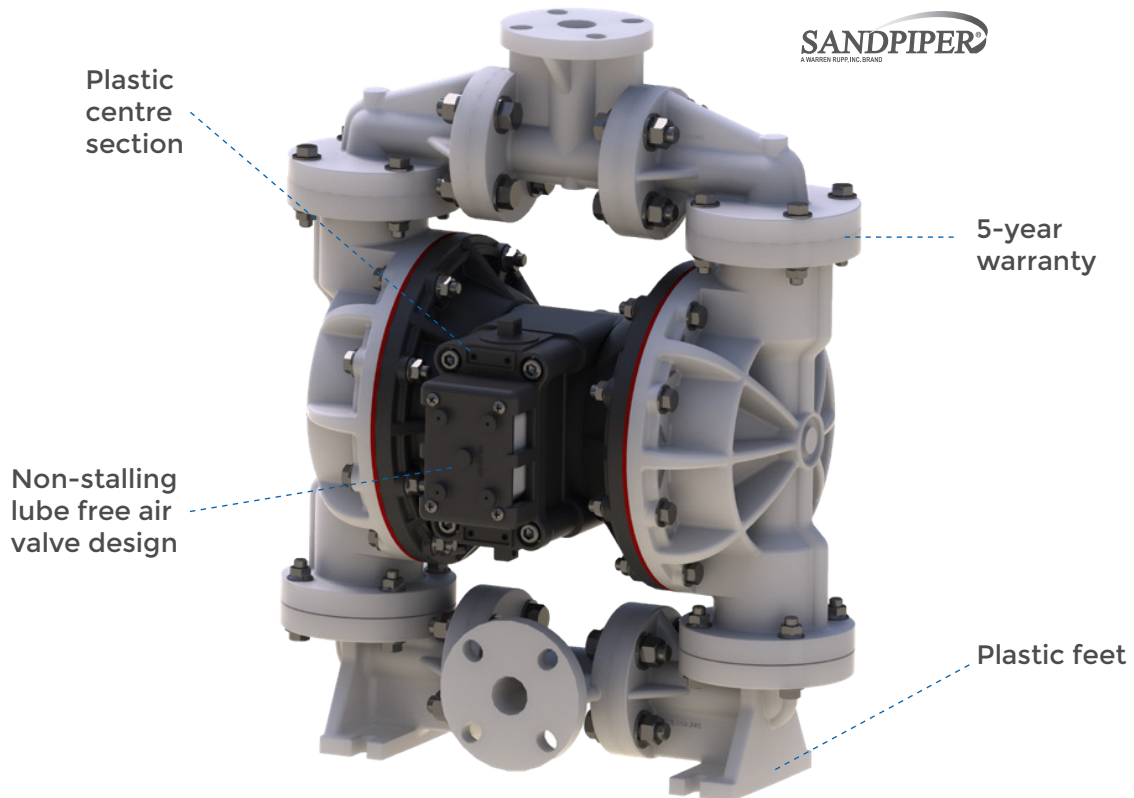
KelairPumps

CALL 1300 789 466

S1F NON-METALLIC 1" (25 MM) AODD BALL VALVE PUMP

WHEN PUMP KNOWLEDGE MATTERS

Introducing the best-performing 1" plastic pump in the world.



SANDPIPER[®]
A WARREN RUPP INC. BRAND

This legendary pump has proven the test of time as a trusted, class-leading air-operated double-diaphragm (AODD) pump for a variety of markets and applications.

The SANDPIPER 1" S1F Non-Metallic AODD Pump provides incredible lightweight portability with the versatility to handle both corrosive fluids and small suspended solids. It offers air-side interchangeability with Sandpiper's S15, S20 and S30 pumps for reduced inventory costs.

The durable, bolted construction of the S1F is superior to the clamped-band construction pump, providing exceptional leak-free performance. This pump is designed to be driven by compressed air or nitrogen.

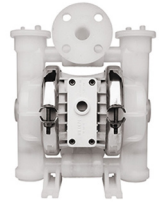
FEATURES & BENEFITS

- **Slow speed** - improving diaphragm life
- **Non-stalling** - no downtime, on-off reliability
- **Lower air consumption** - saving on operating costs
- **Bolted construction** - no leaks, instant alignment
- **Serviceability** - time saving clean or repair in 5 mins

KELAIR PUMPS AUSTRALIA - 1300 789 466

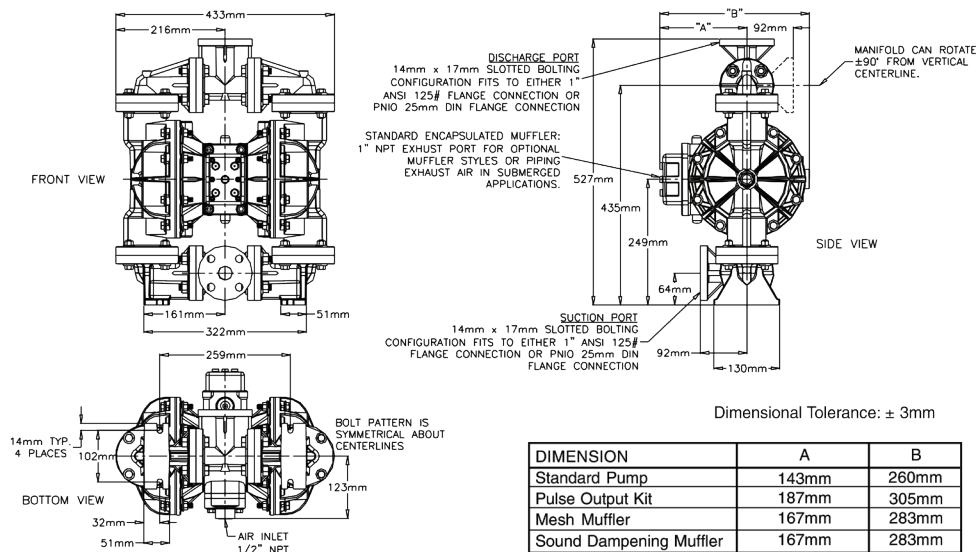
When Pump Knowledge Matters





	SANDPIPER	ARO	GRACO	WILDEN
Model	SIF	661XX-XXX-C	1050	P2
Fluid Connections				
Inlet (NPT or ANSI)	1" ANSI Flange	1" ANSI Flange	1" ANSI Flange	1" ANSI Flange
Outlet (NPT or ANSI)	1" ANSI Flange	1" ANSI Flange	1" ANSI Flange	1" ANSI Flange
Center Section	Polypropylene	Aluminium	Polypropylene	Polypropylene
Externally Serviceable Air Valve				
Main Spool & Sleeve	Yes	Yes	Yes	Yes
Pilot Spool & Sleeve	Yes	No	No	No
Maximum Flow (lpm)				
TPE Diaphragms	200	178	189	140
Teflon Diaphragms	200	178	189	132
Displacement per Stroke (litres)				
TPE Diaphragms	.64	.64	.64	.39
Teflon Diaphragms	.64	.64	.64	.23
Strokes Required for 130 lpm				
TPE Diaphragms	204	204	204	334
Teflon Diaphragms	204	204	204	565
Warranty Period	5 years	5 years	5 years	5 years

NB: Details obtained from public information.



We know the importance of choosing the right equipment to match your process. Whatever your pump requirements, we will help you achieve the best pumping solution.

When Pump Knowledge Matters