



SMART Digital S

# DDA

Generation C

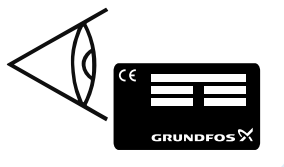
DDA  $\leq$  30 l/h (8 gph)



DDA I&O



[net.grundfos.com/qr/i/92881338](http://net.grundfos.com/qr/i/92881338)





Min. / Max.  
-10 °C / +45 °C  
14 °F / 113 °F



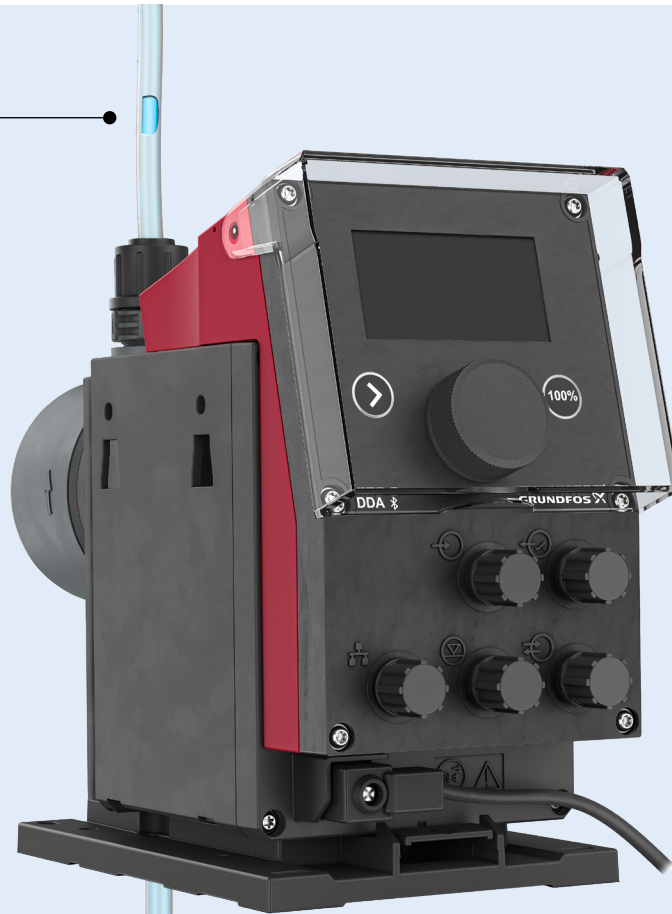
Min. / Max.  
0 °C / +45 °C  
32 °F / 113 °F



≤ 60 dB(A)

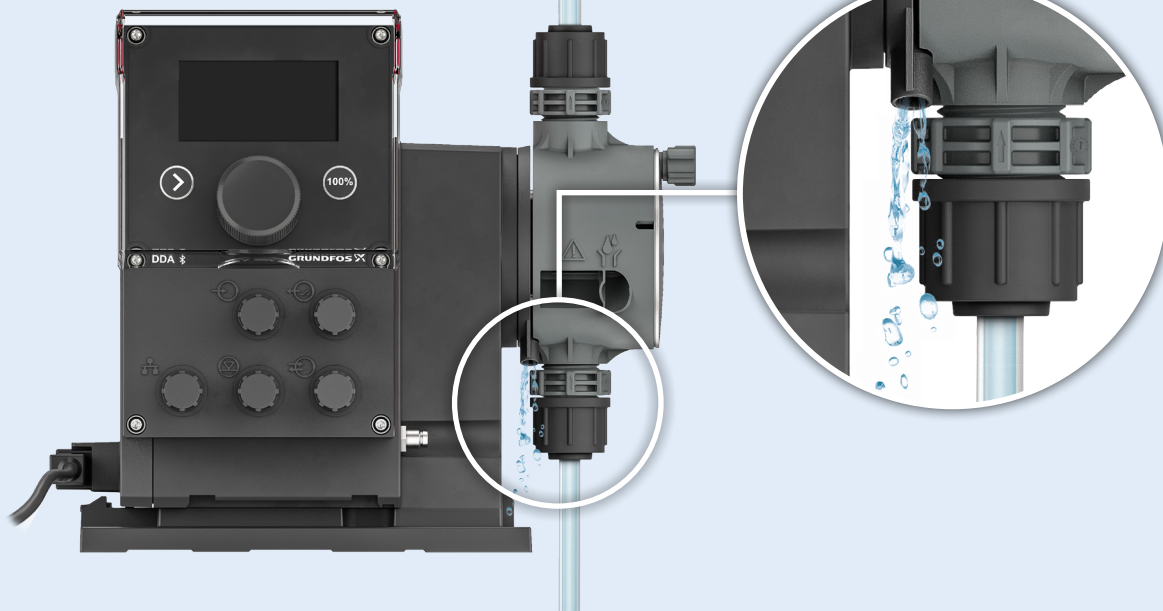


IP65  
(Enclosure type 4X)





net.grundfos



100-240 V,  
50/60 Hz

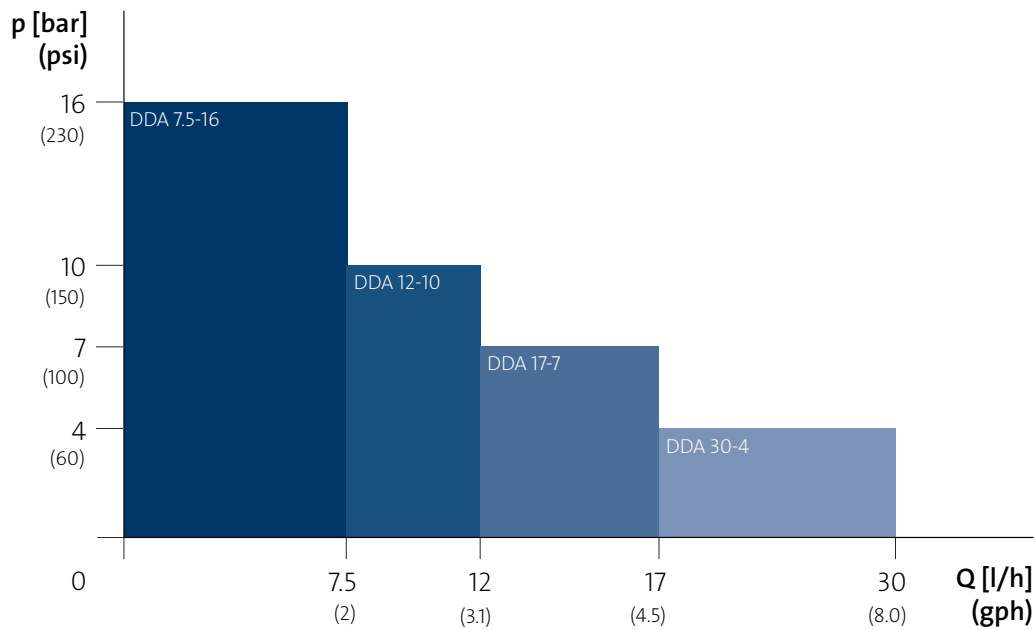


DDA I&O



[com/qr/i/92881338](https://www.com/qr/i/92881338)







$p_2 - p_1 \geq 1 \text{ bar (15 psi)}$





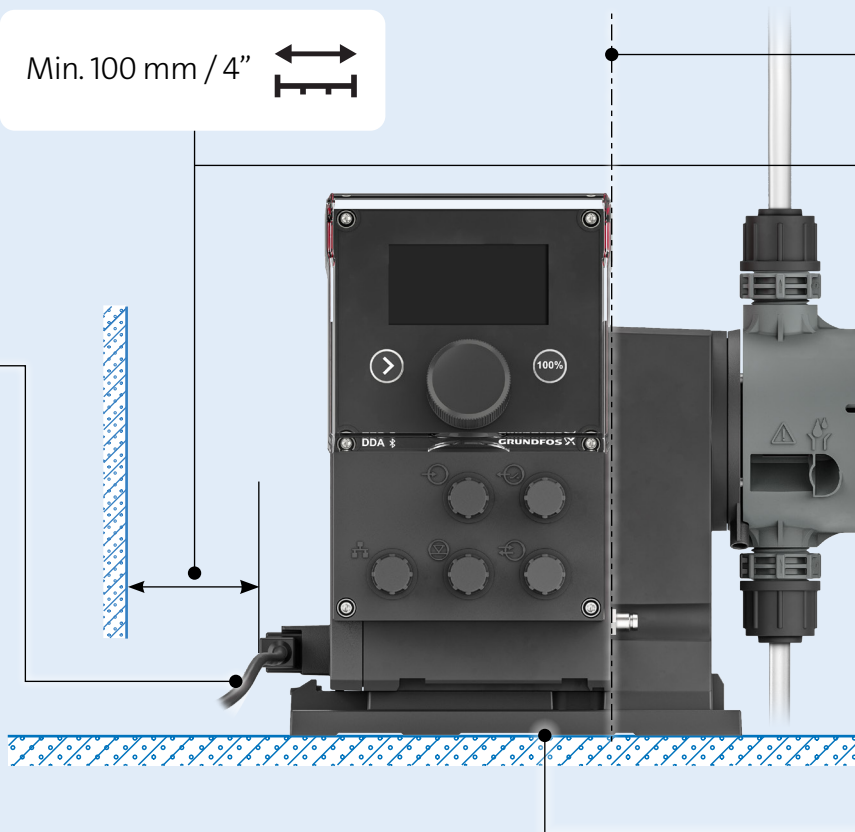
100-240 V,  
50/60 Hz

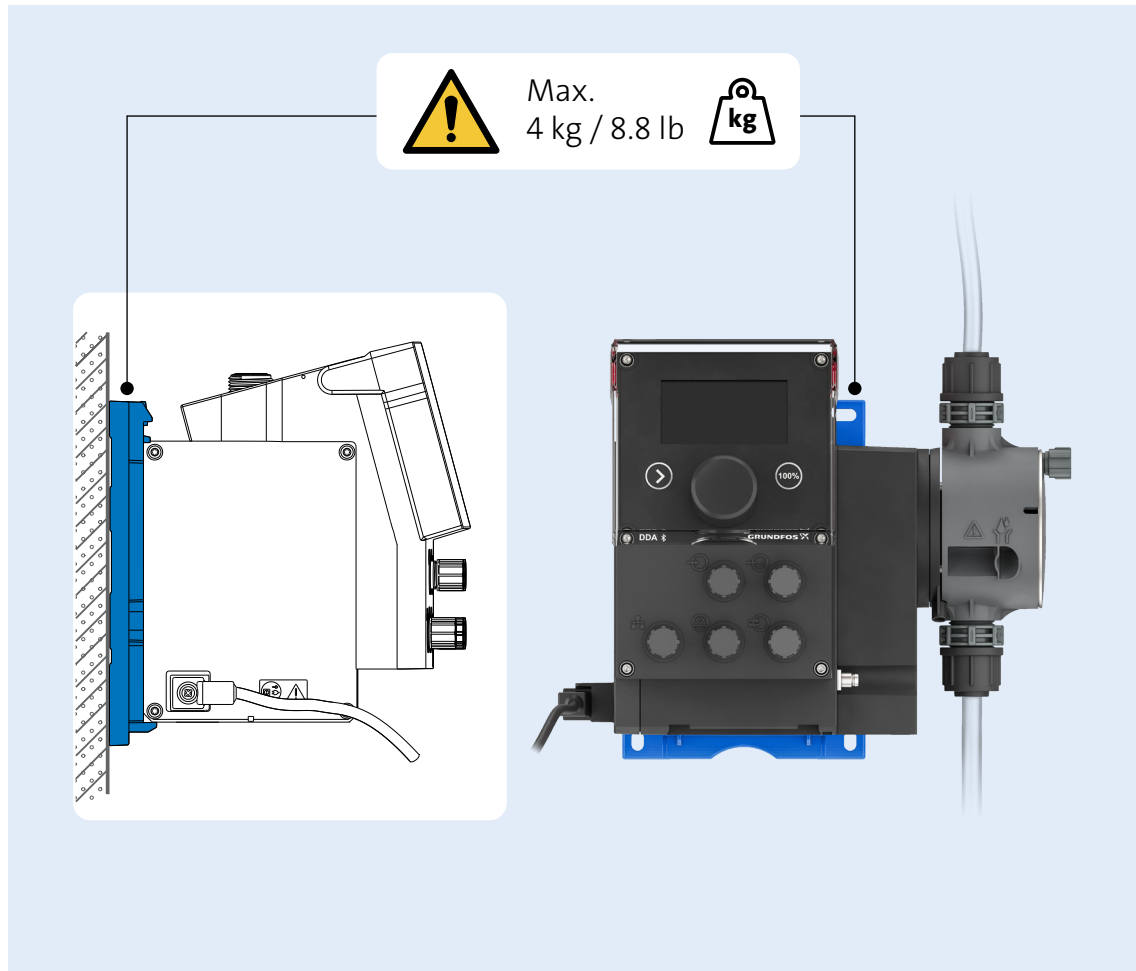
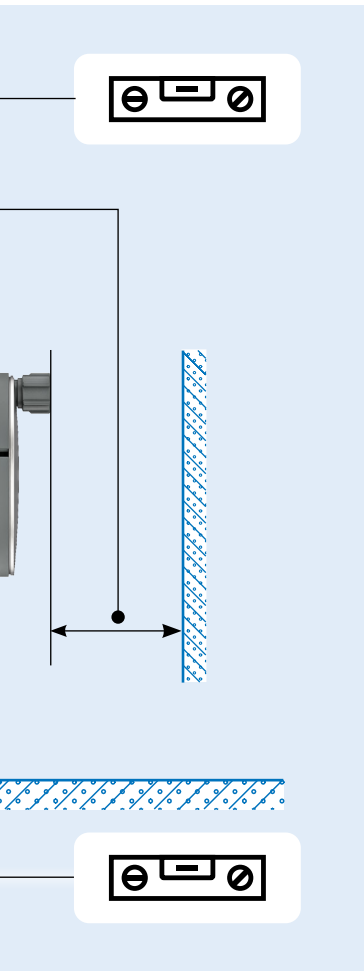


Max. 1.5 m / 59"



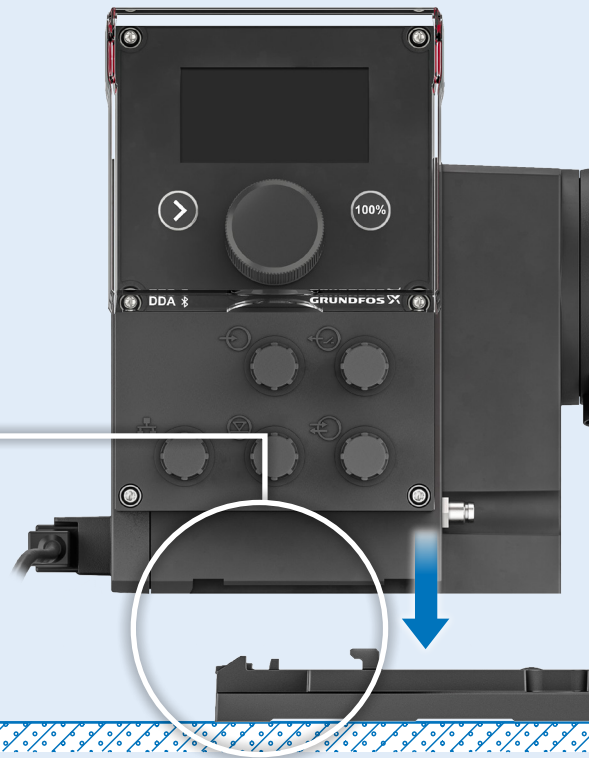
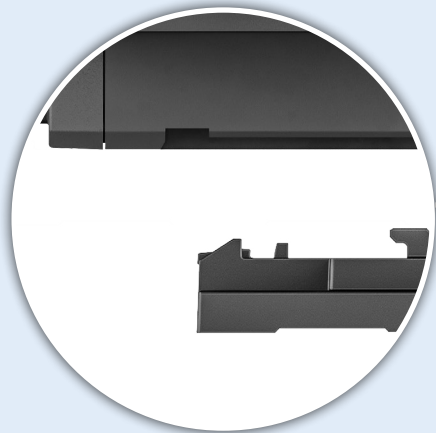
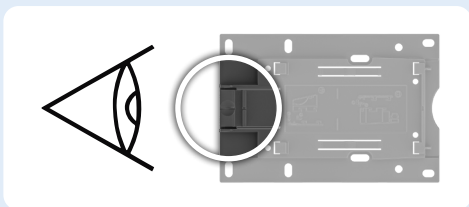
Min. 100 mm / 4"

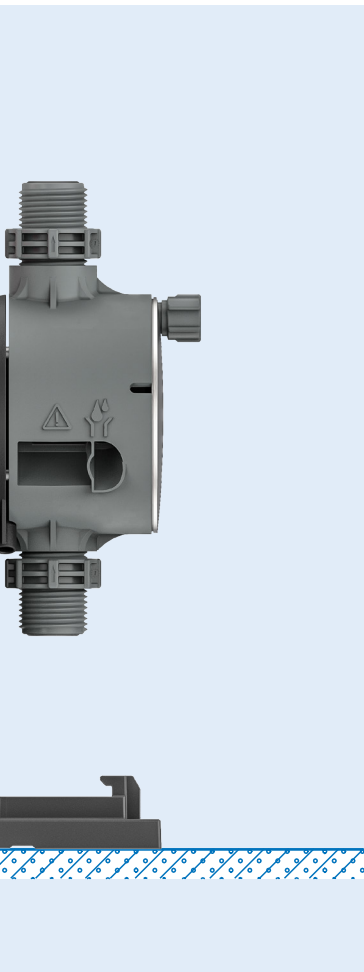






1a





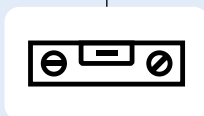
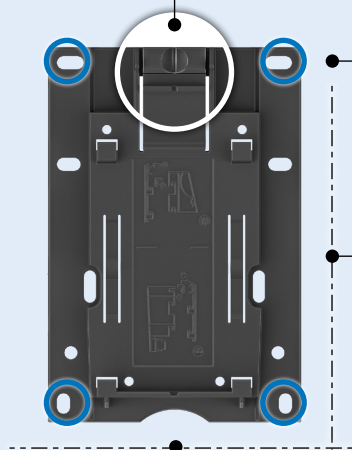
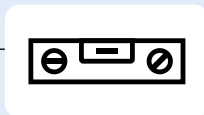
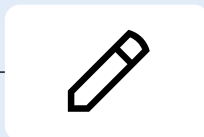
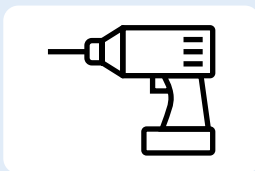
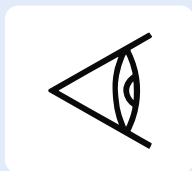
2a



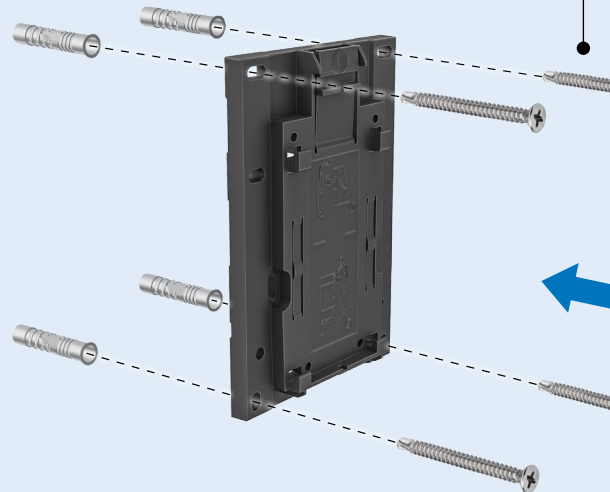
Click



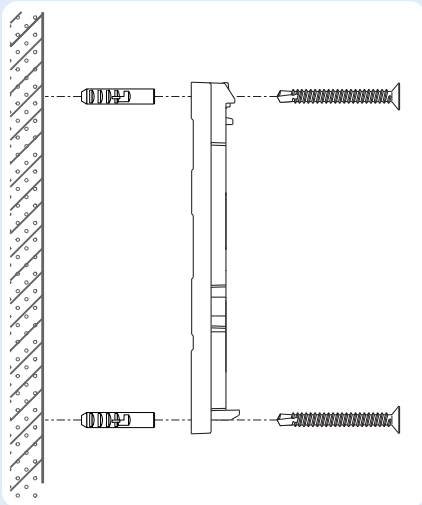
1b



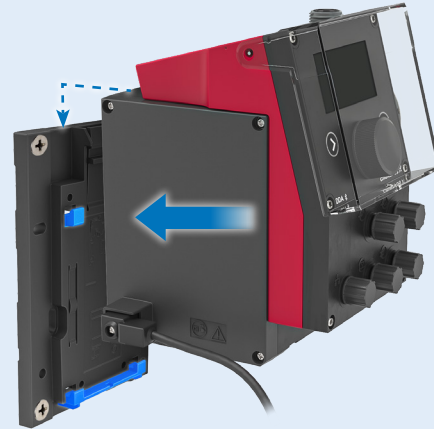
Max.  $\varnothing 6$  mm (0.24")



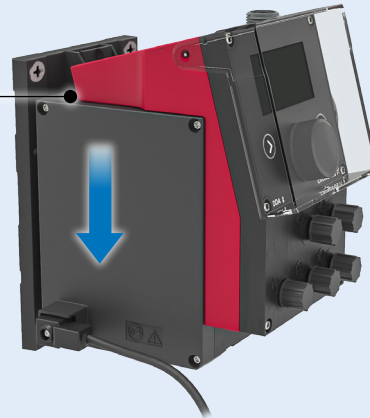
Max. Ø5 mm (0.2")



2b



Click





3



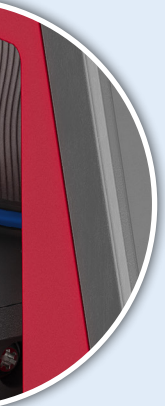
TORX PLUS (15 IP)



4

Max. 5 cm (1.97")





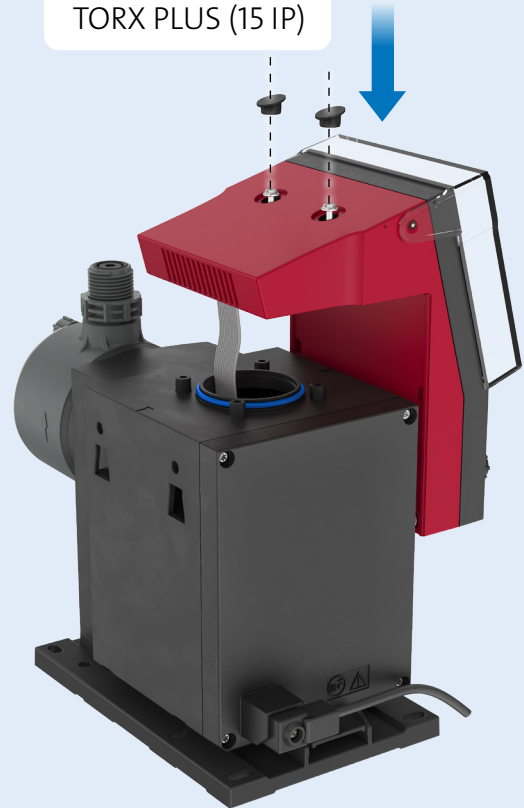
5



6



TORX PLUS (15 IP)

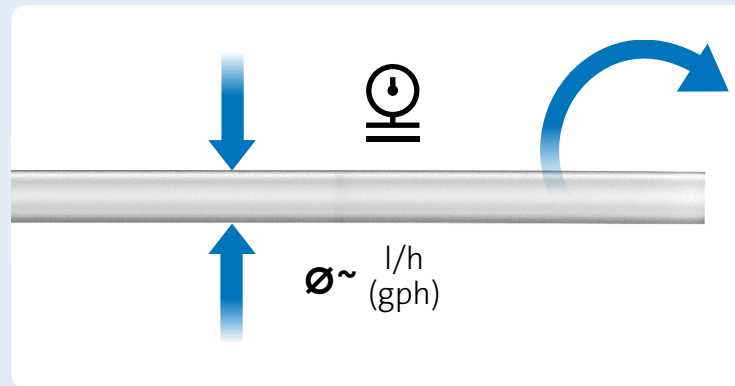
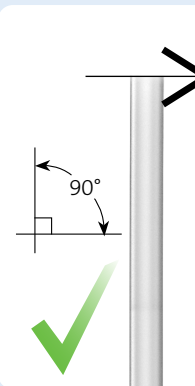
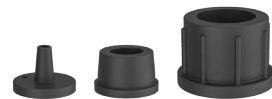
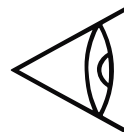


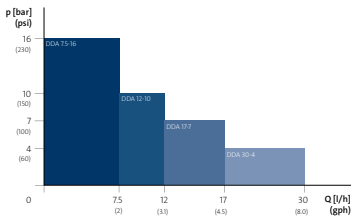
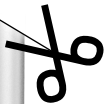


7

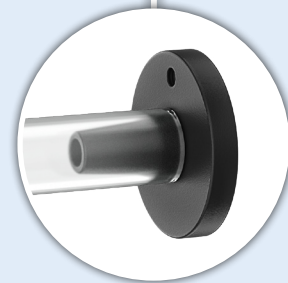
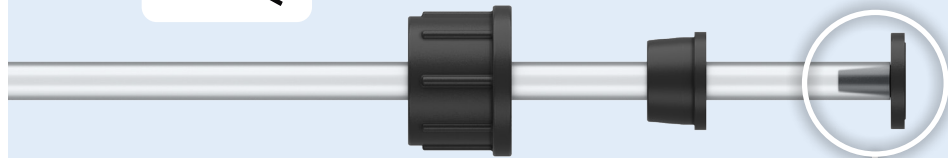
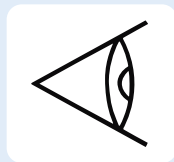
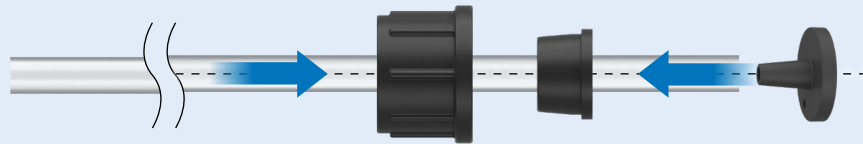


8



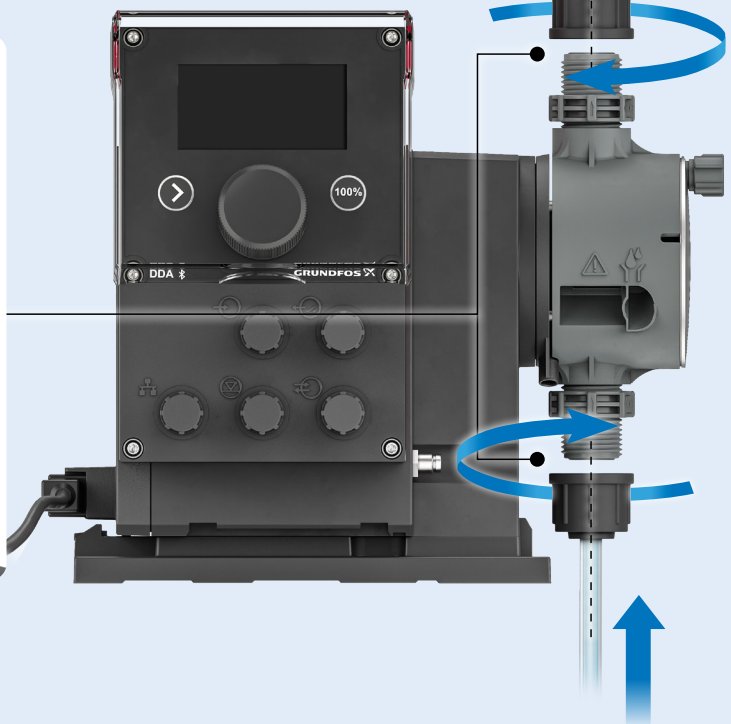
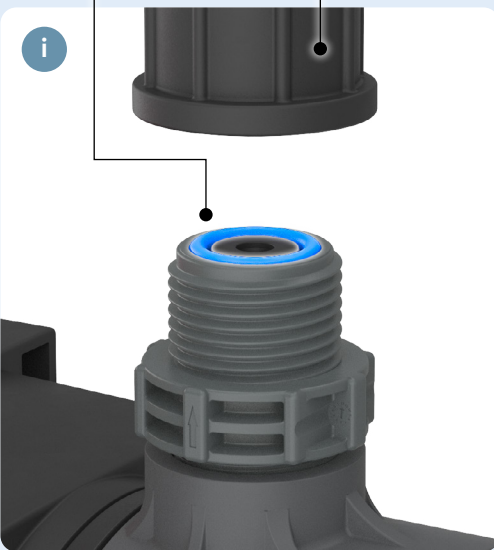
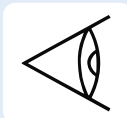


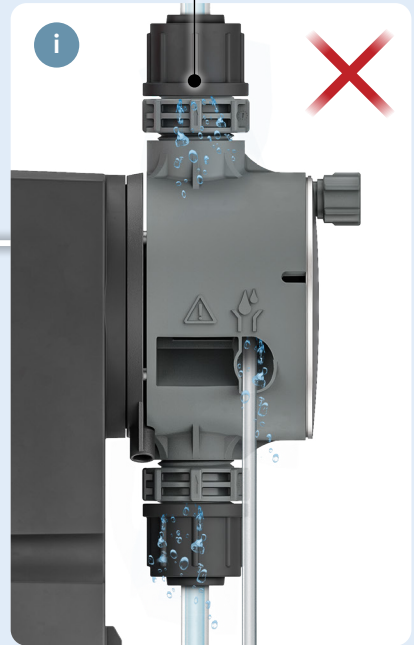
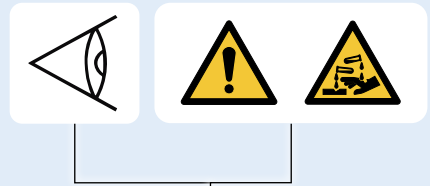
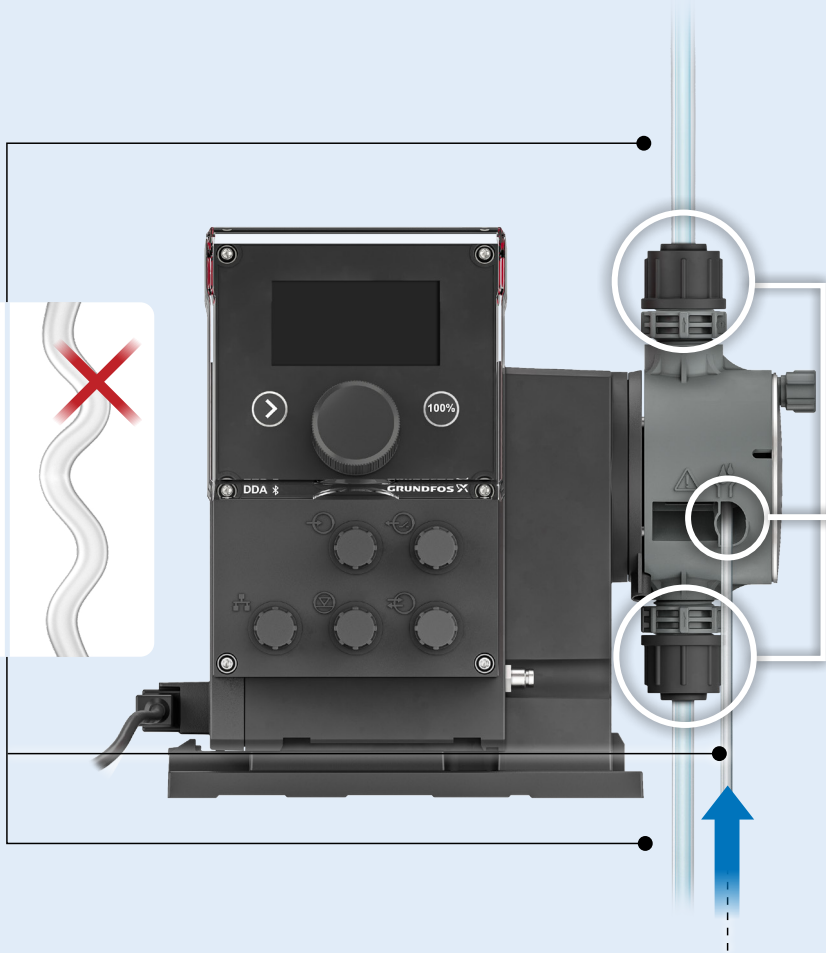
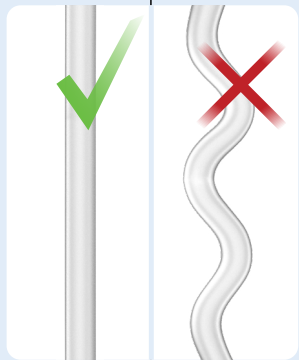
9





10





12

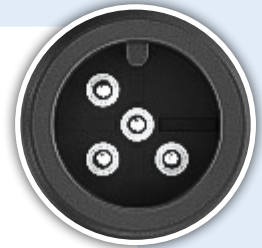
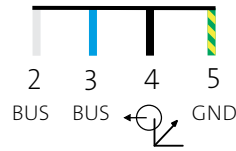
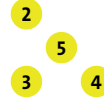
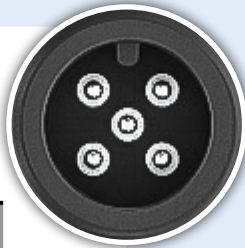
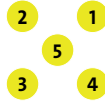
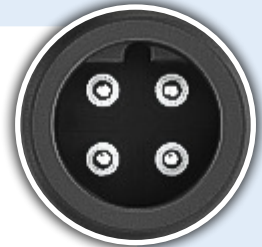
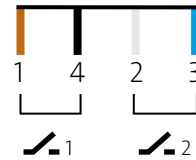
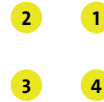
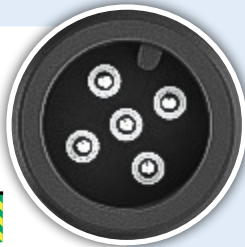
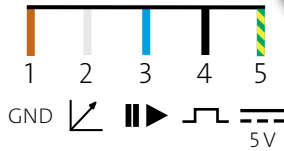
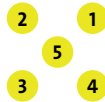
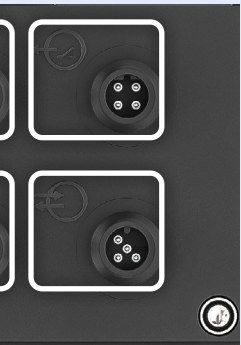


100-240 V,  
50/60 Hz



- 2
- 1
- 3
- 4





13







14





15



5 sec.



16

  ~ 30 sec.




17

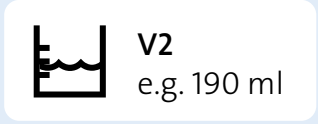
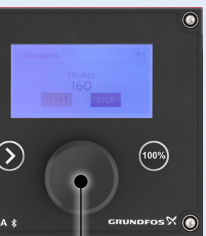
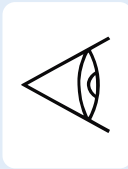


18



 V1  
e.g. 300 ml





V1 - V2  
e.g. 300 - 190 = 110 ml





19







1



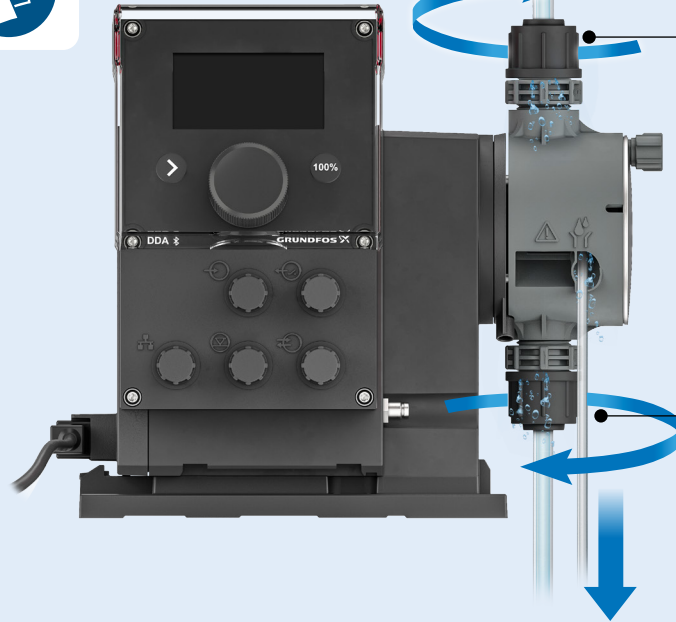
PN:  
97XXXXXX



2



 = 0 bar (0 psi)

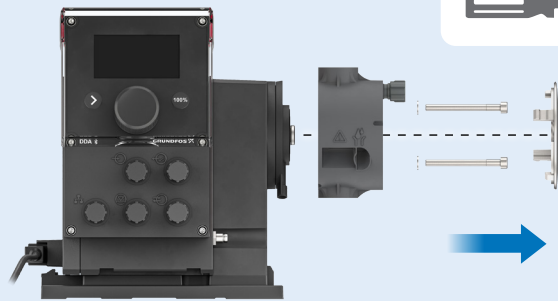




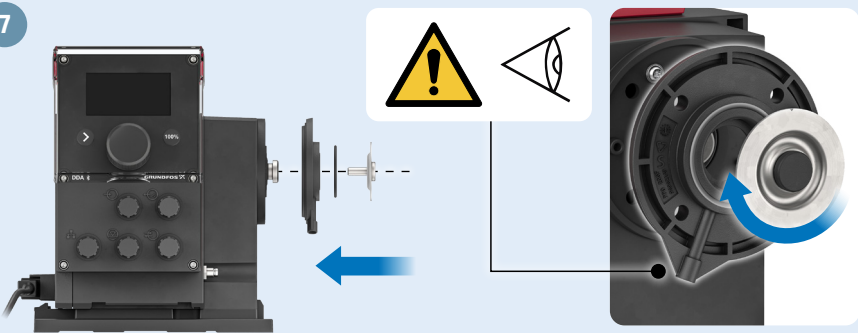
3



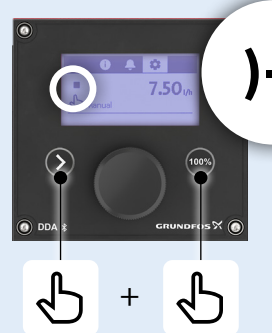
4



7

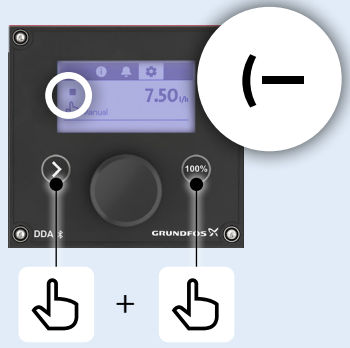


8





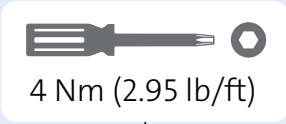
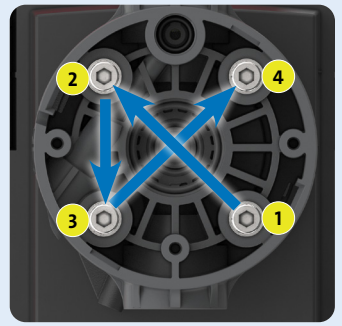
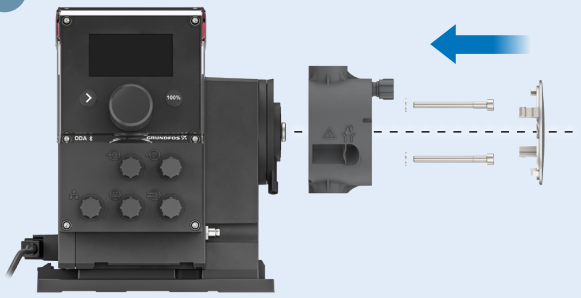
5



6

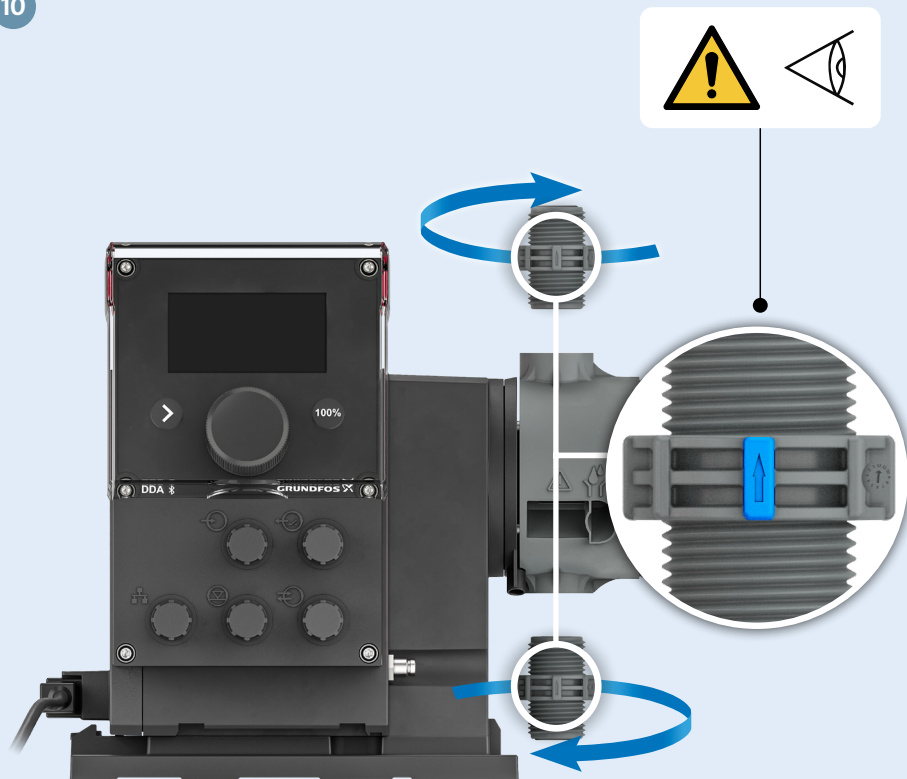


9



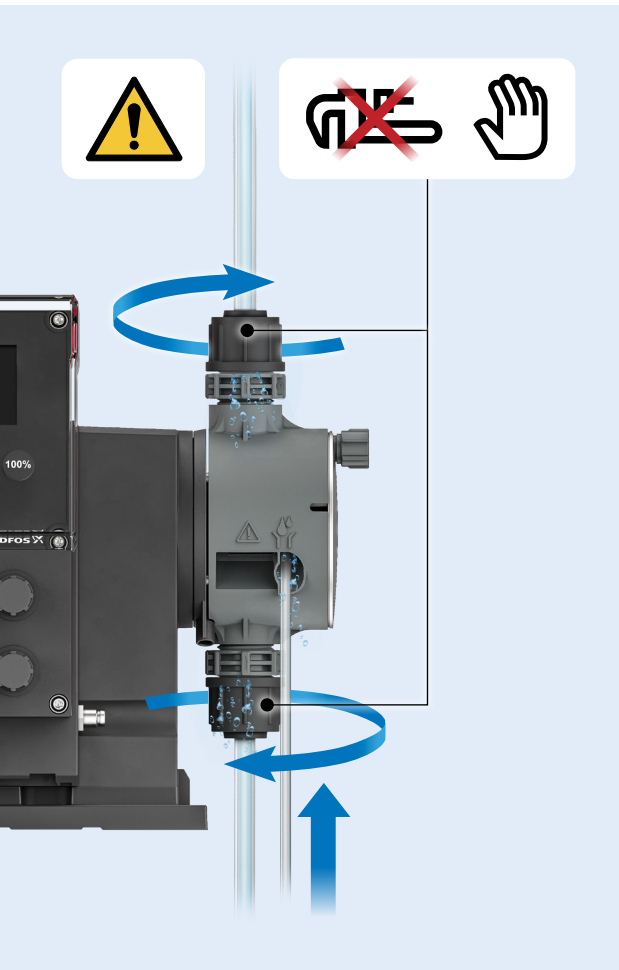


10

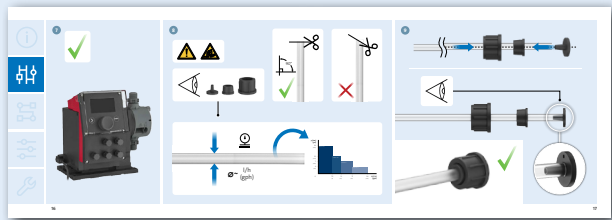


11

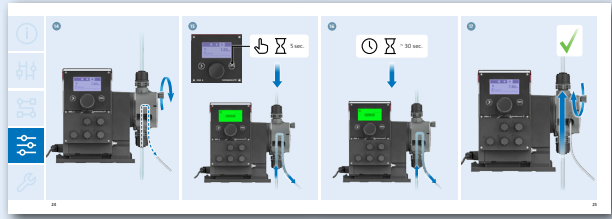




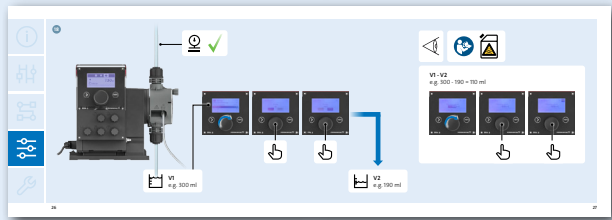
12



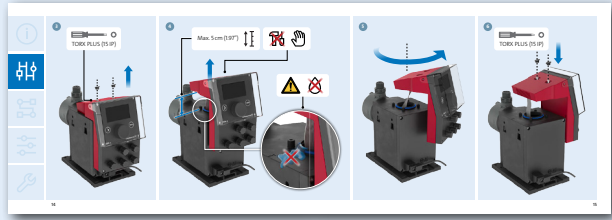
+



+



+





92881337 11.2023

ECM: 1381088

**GRUNDFOS Holding A/S**  
Poul Due Jensens Vej 7  
DK-8850 Bjerringbro  
Tel: +45 87 50 14 00  
[www.grundfos.com](http://www.grundfos.com)

## AUSTRALIAN DISTRIBUTOR



CALL 1300 789 466

*When Pump Knowledge Matters*

[www.kelairpumps.com.au](http://www.kelairpumps.com.au)

**GRUNDFOS**