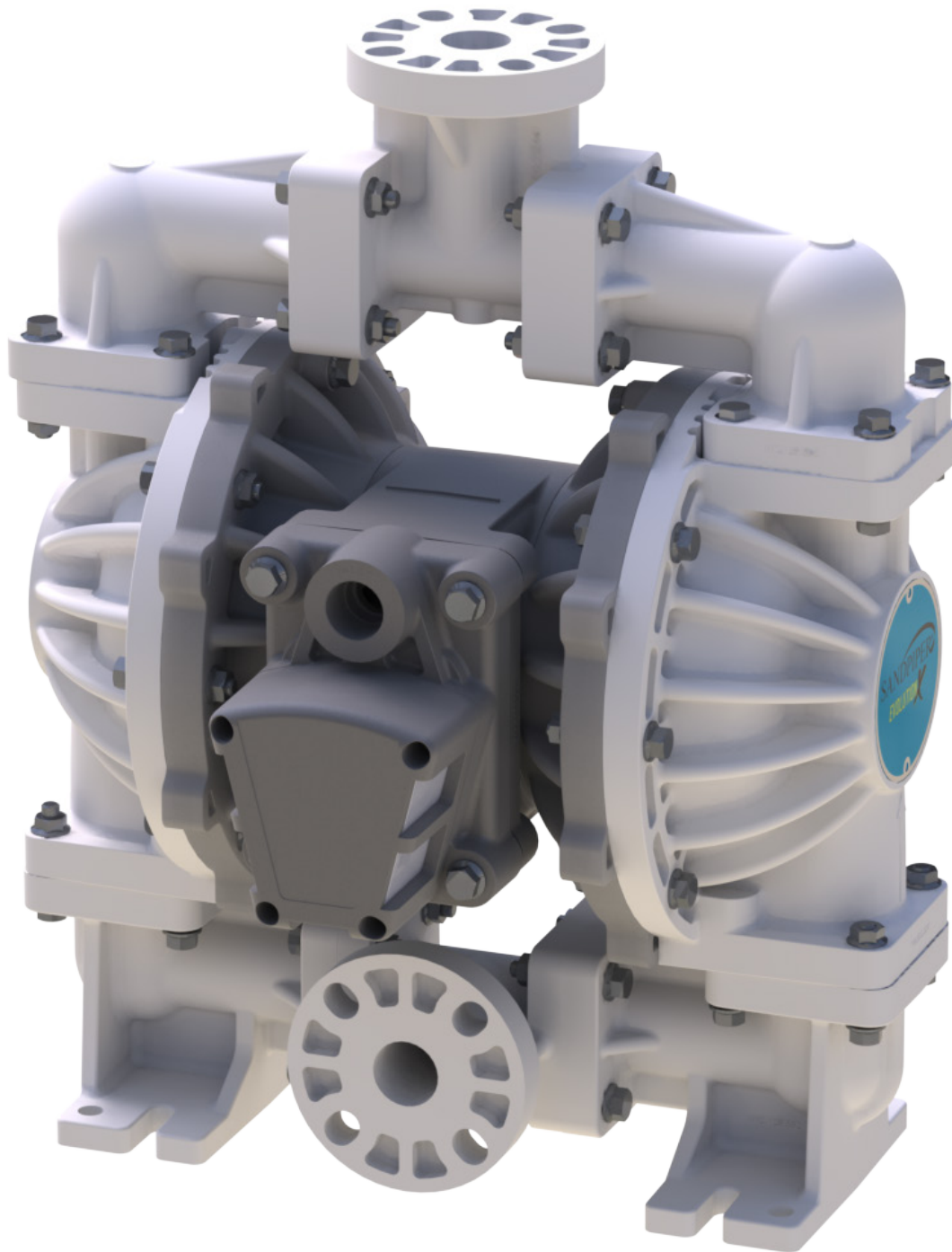


SANDPIPER®

EVOLUTION

1" Non-Metallic Pump Platform



www.sandpiperpump.com/pumps/evolutionx

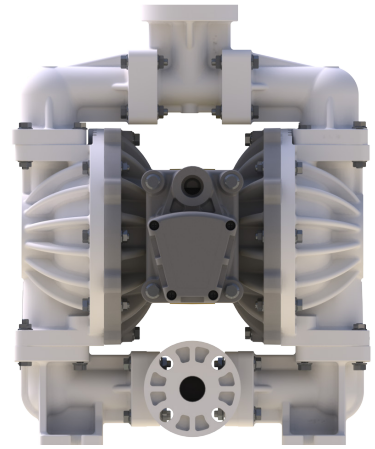
OVERVIEW

Class Leading Flow Rates – 63 GPM (238 lpm)

Non-metallic corrosion resistant Wet Side and Air Side

Low weight for ease of mobility (25lbs for Polypropylene model)

Bolted Construction capable of 125 psi



Key Applications:

Fluid Transfer
Chemical processing

Elastomer Options:

Diaphragm Material	Check Valve Material
Santoprene	Santoprene
Neoprene	Neoprene
Nitrile - Buna	Nitrile - Buna
FKM	PTFE
EPDM	PTFE
Hytrell	PTFE
PTFE/Santoprene	PTFE
PTFE/Neoprene	PTFE
PTFE Bonded	PTFE

Enhanced Convenience

Exponentially reduce AODD pump assembly and service time thanks to:

- **Reduced service time:** EvolutionX takes, on average, five minutes to service the air distribution system compared to 45 minutes on average for other AODD pumps.
- **Serviceability:** All of the wet side nuts and bolts are the same size & length and the use of washers have been eliminated. In fact, the EvolutionX has 50% fewer number of fasteners than the previous model.
- **Accessibility:** You can access 95% of airside components by removing only four bolts revealing an easily removable cartridge style main air valve and pilot valve assembly.
- **Improved stability** for increased safety. We have added “stand-off feet” to the inner chambers to stabilize the pump on the workbench during disassembly.

Superior Performance & Efficiency

Improve overall efficiency and safety during operation while decreasing operating costs due to:

- **Lower energy use:** Achieves an incredible 20% average increase in air efficiency throughout the entire curve over our prior model.
- **Higher flow:** The EvolutionX has the greatest flow rate of any other 1” AODD pump.

CURVE

Performance

Flow Rate

Adjustable to0-63 gpm (238 lpm)

Port Size - Suction / Discharge

. 1" ANSI/DIN Flange

Max Solid Size (Diameter)

. 0.25" (6 mm)

Air Inlet 3/4" NPT

Air Exhaust 1" NPT

Suction Lift 19'(5.8 m) Dry

. 31' (9.5 m) Wet

Displacement/Stroke.....

. 0.22 Gallon (0.83 Liter)

Max Operating Pressure.

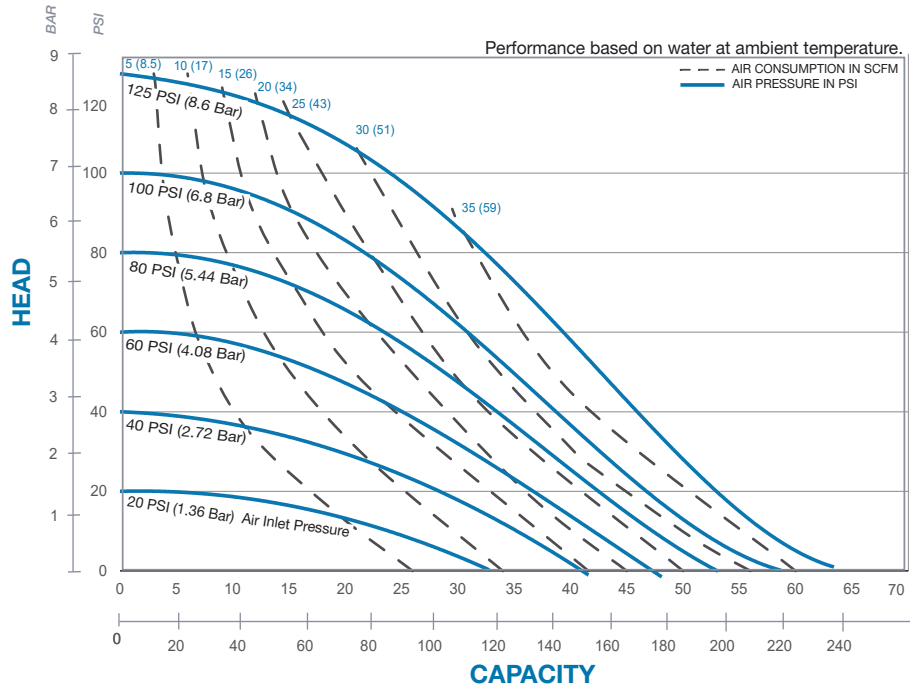
. 125psi (8.6 bar)

Material Options & Weights

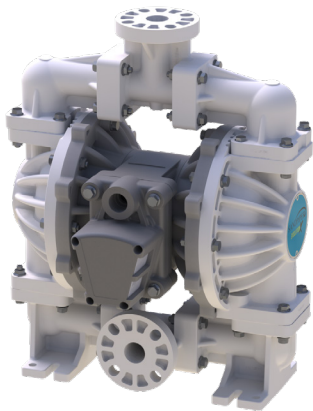
. Polypropylene 25 lbs. (11.3 kg)

. PVDF 42 lbs. (19 kg)

Conductive Poly. (ATEX) 28 lbs. (12.7 kg)

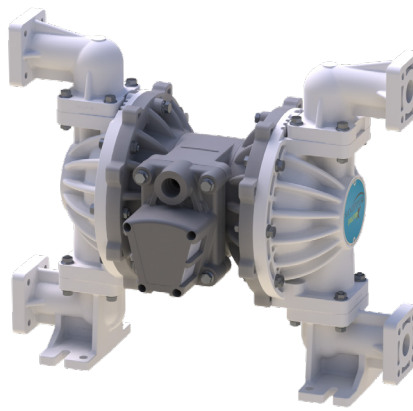


PORTING OPTIONS



Standard

Universal ANSI/DIN Flanged Center Ported



Universal ANSI/DIN Flanged Dual Ported

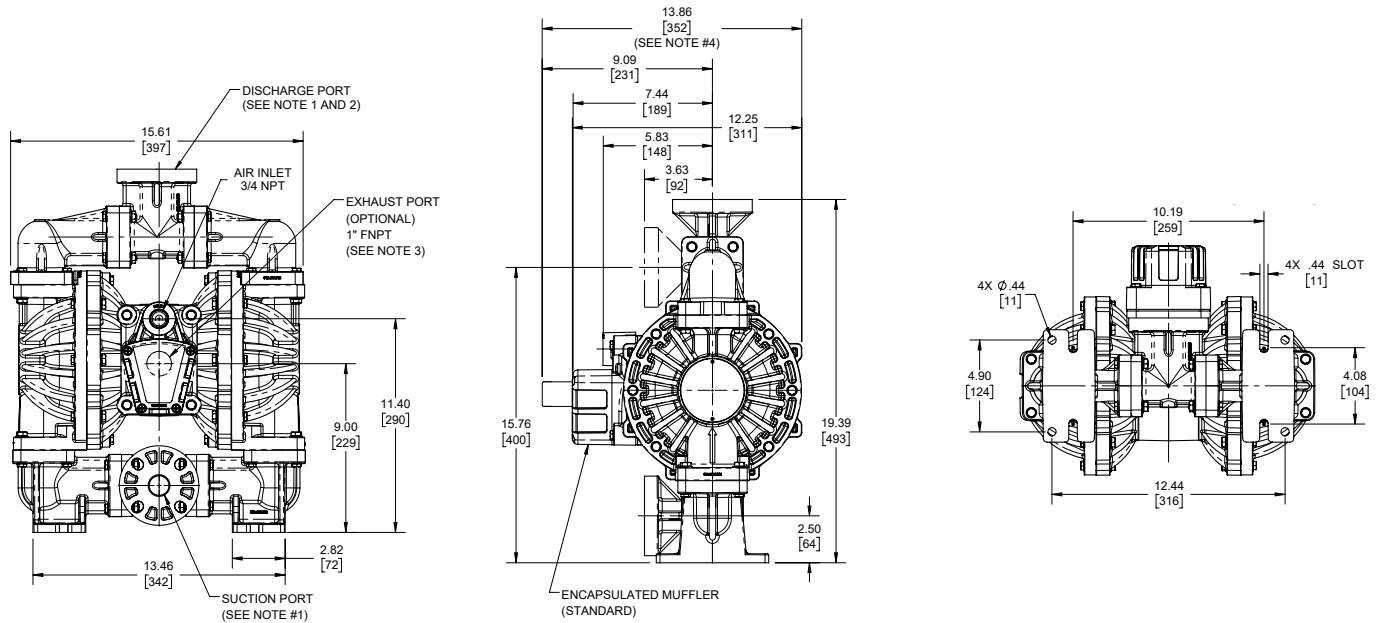


Universal ANSI/DIN Flanged End Ported

DIMENSIONS

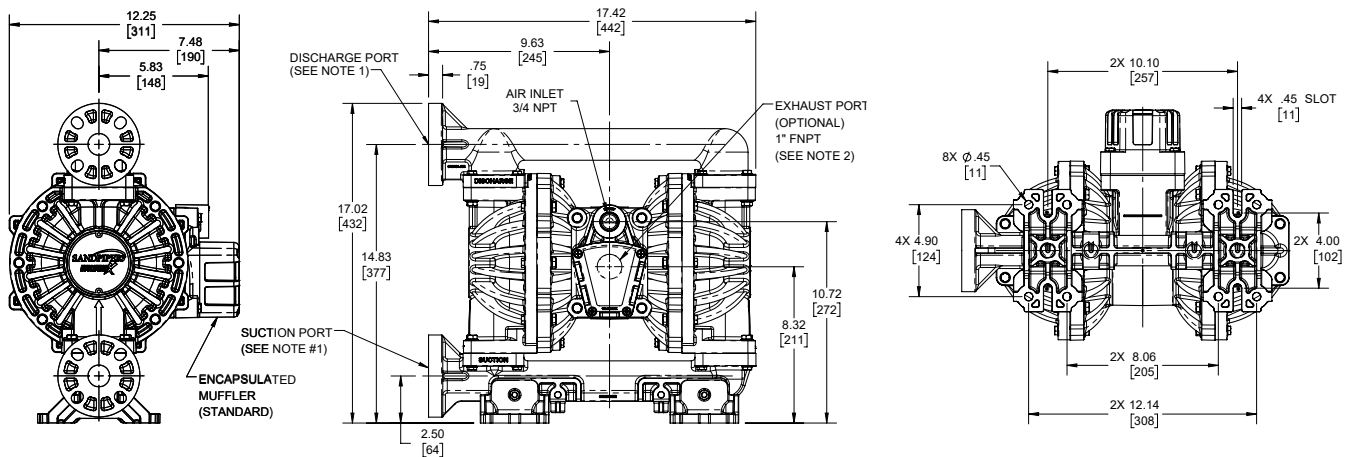
SPE10 Non-Metallic Center Ported Options - Polypropylene, PVDF, Conductive Poly Wet Side

Dimensions in inches (metric dimensions in brackets). Dimensional Tolerance .125" (3mm).



SPE10 Non-Metallic End Ported Option- Polypropylene and PVDF Wet Side

Dimensions in inches (metric dimensions in brackets). Dimensional Tolerance .125" (3mm).



SANDPIPER®

Warren Rupp, Inc.
A Unit of IDEX Corporation
800 North Main Street
Mansfield, OH 44902 USA



Scan to learn more

Phone: 419.524.8388
Fax: 419.522.7867
SANDPIPERPUMP.COM

AUSTRALIAN DISTRIBUTOR



CALL 1300 789 466

When Pump Knowledge Matters
www.kelairpumps.com.au