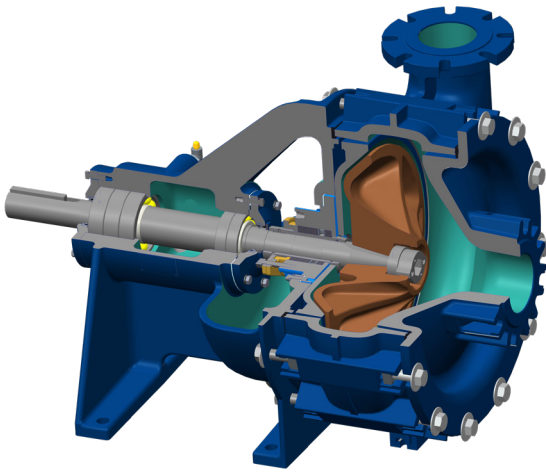




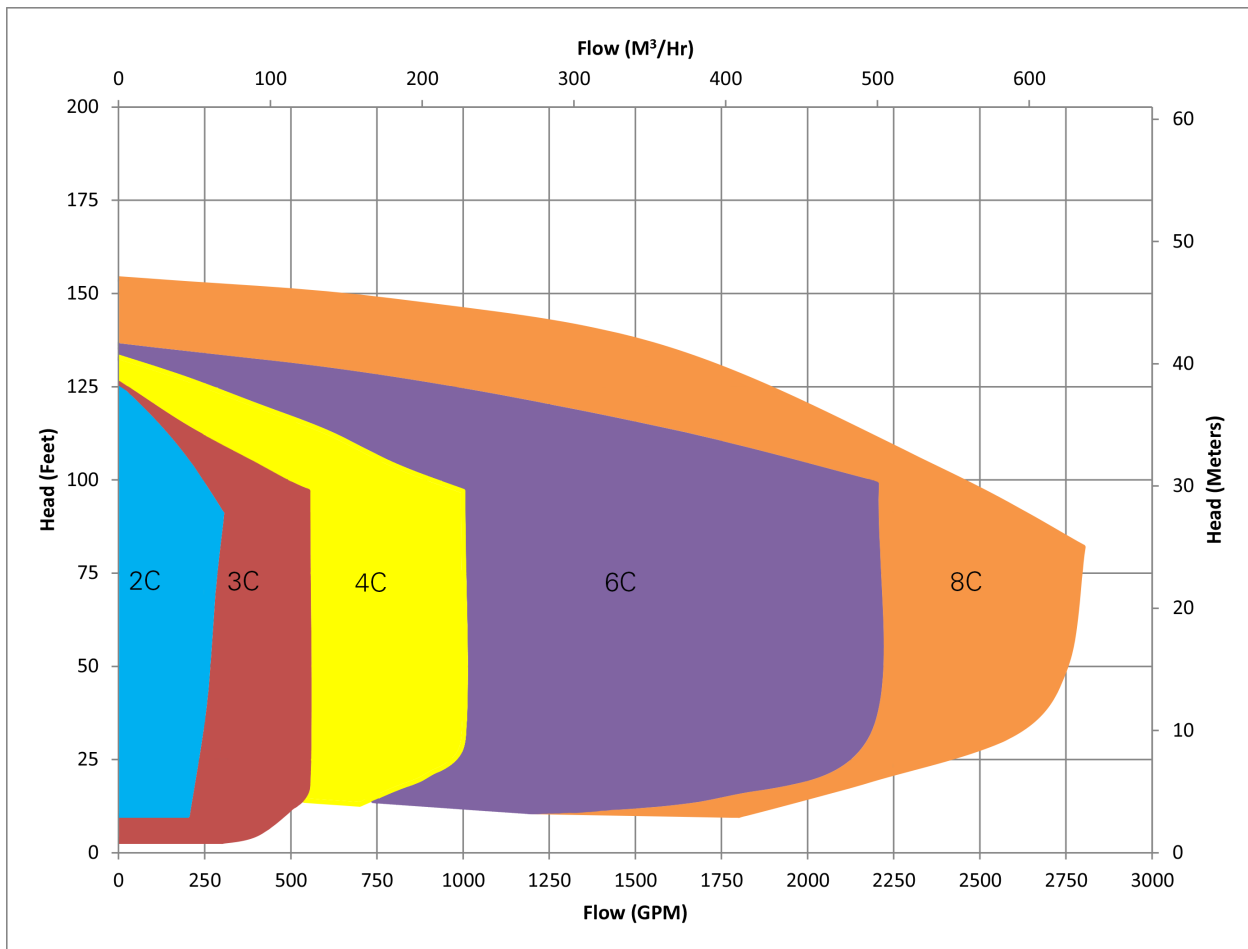
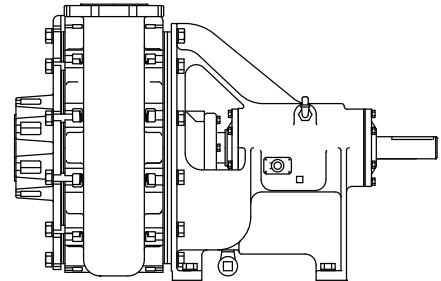
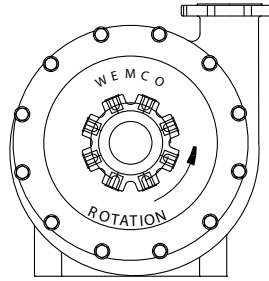
WEMCO® Torque-Flow®



## WEMCO® Torque-Flow® Model C



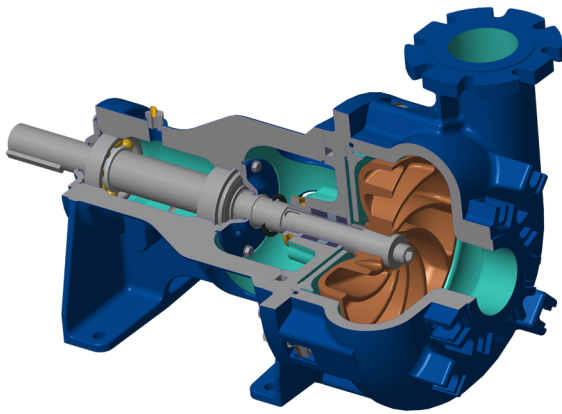
WEMCO Torque-Flow Model C	
Materials of Construction	Ni-Hard, High Chrome
Configurations	Horizontal
Sealing	Multiple options available
Maxium Flow	to 2800 GPM (636 m <sup>3</sup> /hour)
Maxium Head	to 154 feet (47 m)
Discharge Size	2, 3, 4, 6, 8 inch (5, 7.6, 10, 15, 20.32 cm)



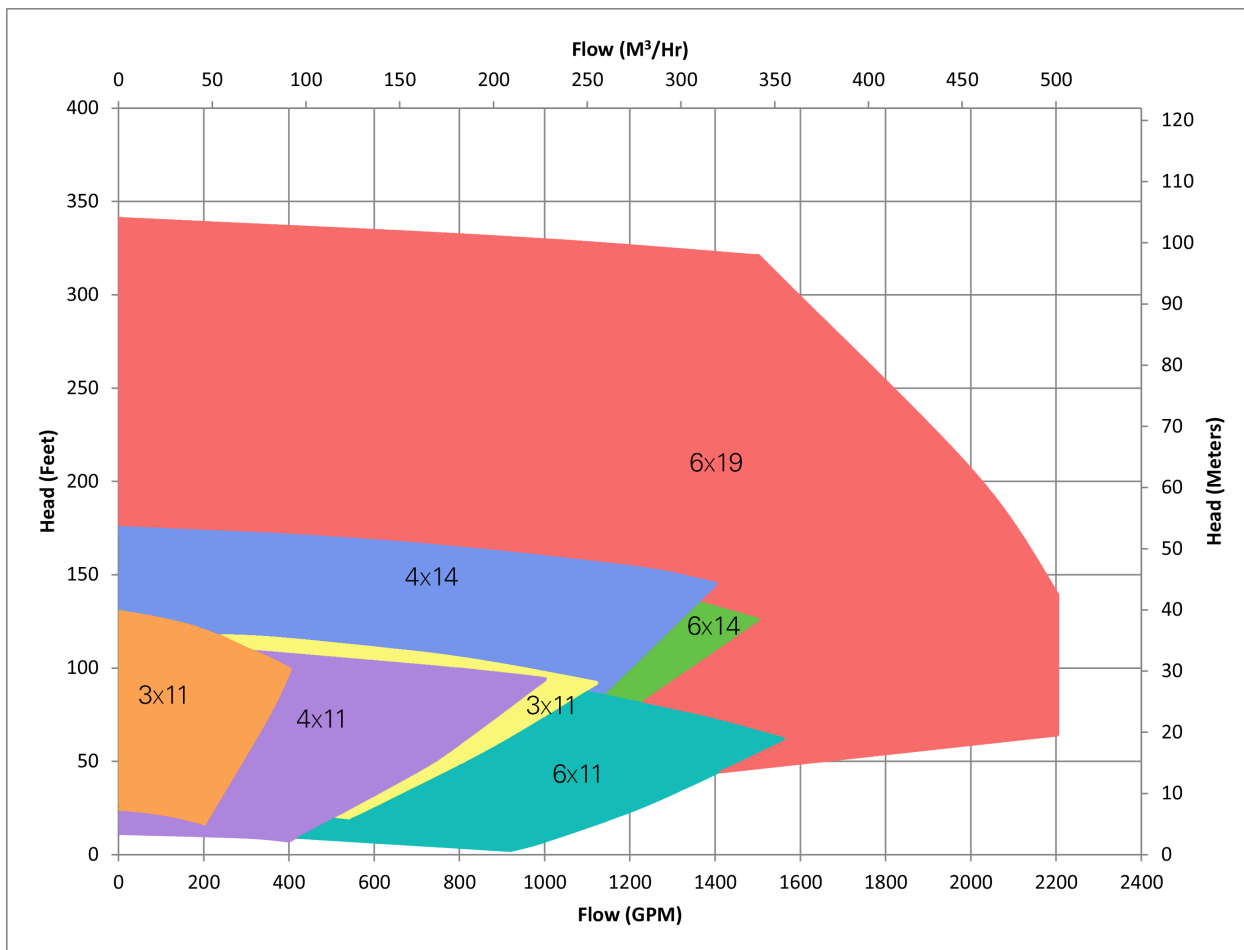
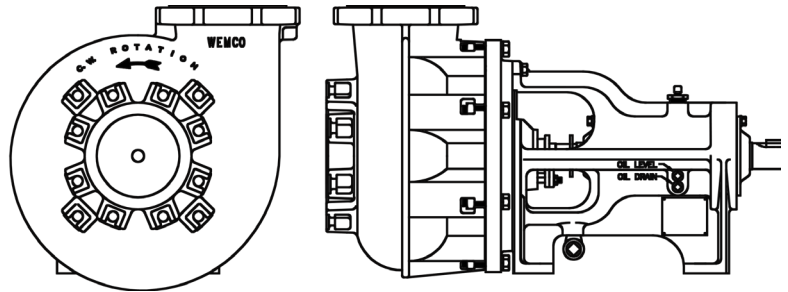
- Wemco, the preferred name for grit pumping in municipal grit removal applications
- The original recessed impeller pump
- Cupped impeller deflects wear to sacrificial suction piece
- Wet end weights: 3": 360 lbs. | 4": 500 lbs. | 6": 800 lbs.
- Over 100,000 hour L-10 bearing life
- Self-venting case
- Clock-wise and counter-clock-wise rotations available
- Extreme duty grit pump
- High chrome or Ni-hard wet-end
- Heavy-duty wet-end components
- Extra thick on the wear areas
- Extra thick two piece case
- Easily replaceable sacrificial cover plate
- Lugged bolting for fast, easy servicing
- Hydraulic design of cupped impeller minimizes wear and increases performance
- Available with flush-less slurry seal
- Pump will pass pipe-sized solids



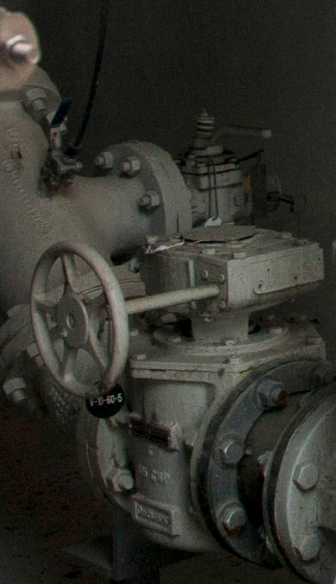
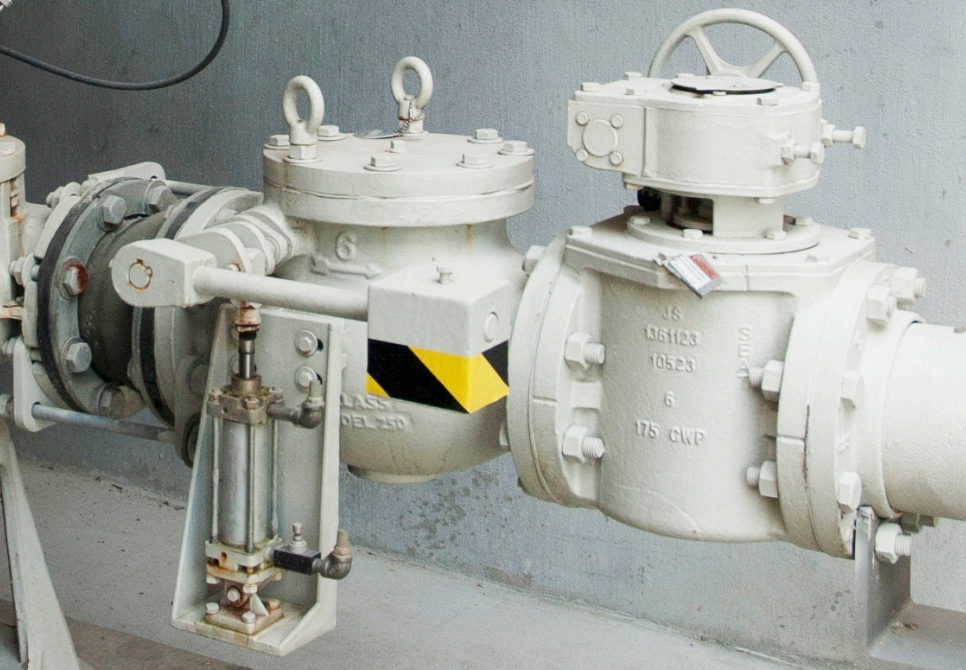
# WEMCO® Torque-Flow® Model CE



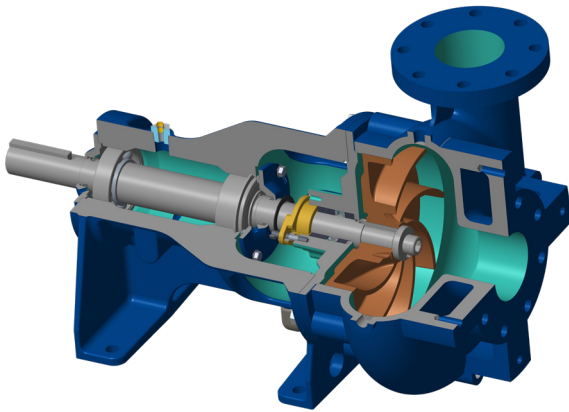
WEMCO Torque-Flow Model CE	
Materials of Construction	Ni-Hard, High Chrome
Configurations	Horizontal Vertical Submersible Immersible Cantilever Column
Sealing	Multiple options available
Maximum Flow	to 2200 GPM (500 m <sup>3</sup> /hour)
Maximum Head	to 340 feet (104 m)
Discharge Size	2, 3, 4, 6 inch (5, 7.6, 10, 15 cm)



- Heavy-duty grit pump
- Great for grit-laden sludge
- High chrome or Ni-hard wet-end
- Rimmed radial vane impeller decreases wear on casing
- Trimmable impeller allows for customizing flow range
- Casing thickness increased in areas of maximum wear
- CEX impeller available for steeper H/Q curve
- Self-venting case

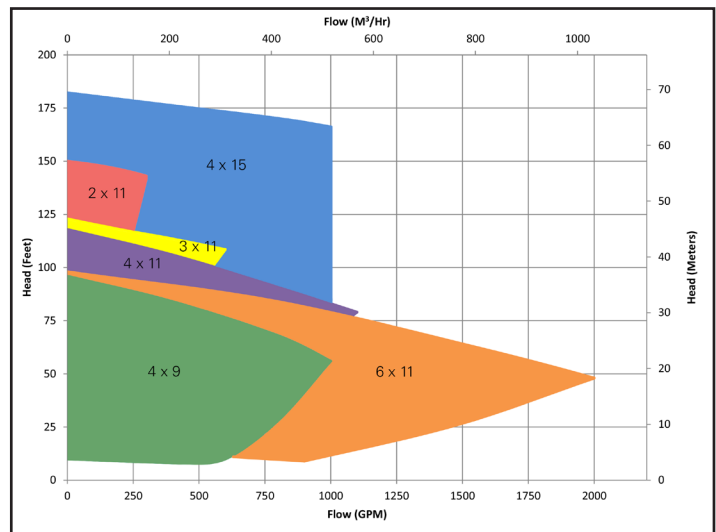
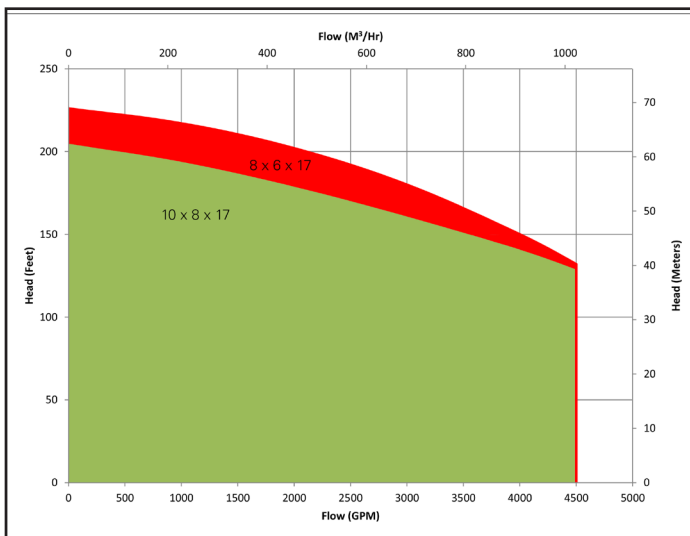
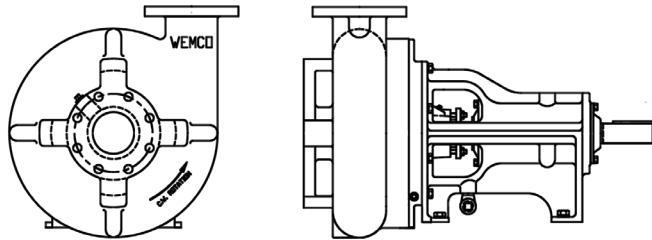


## WEMCO® Torque-Flow® Model E

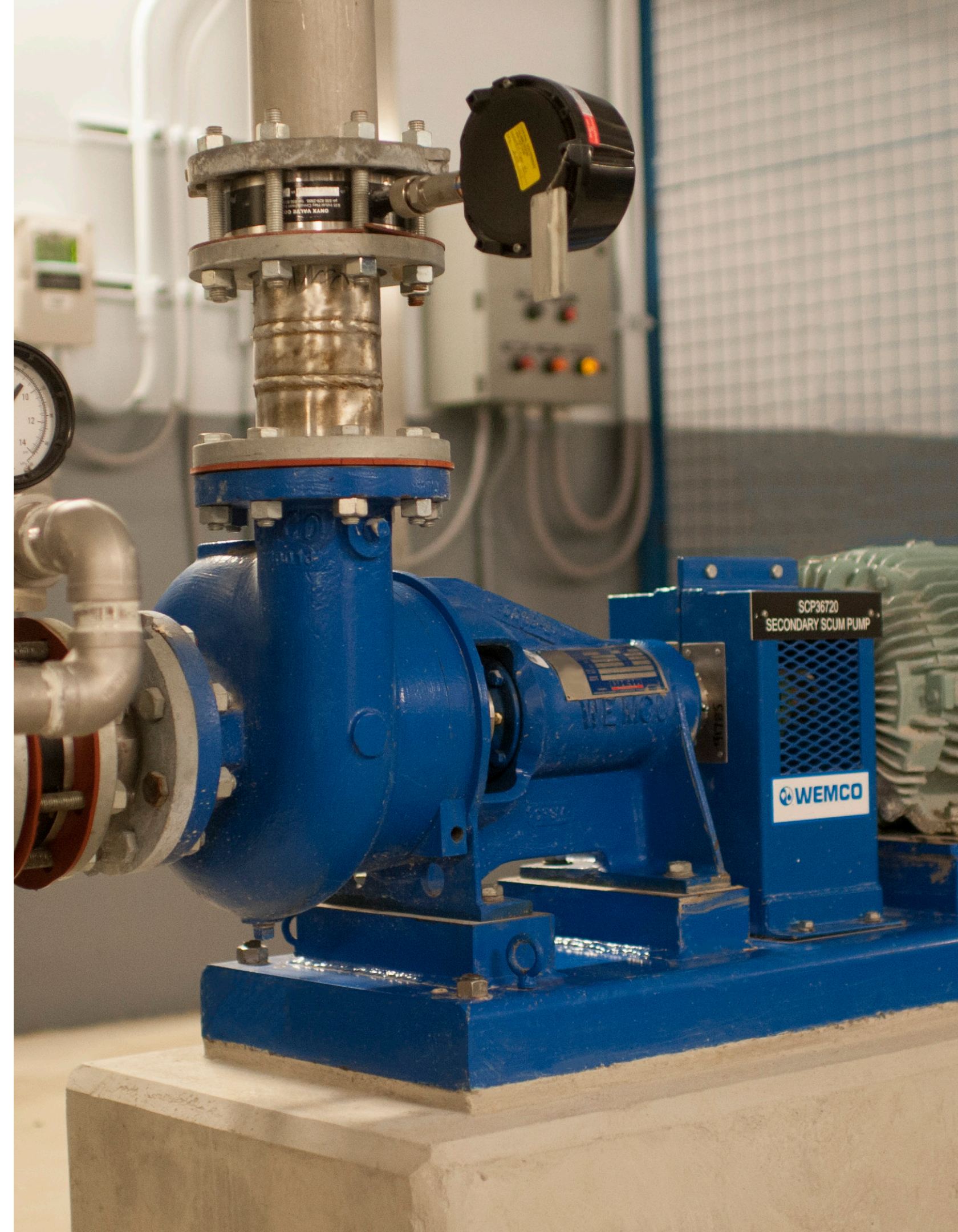


WEMCO Torque-Flow Model E	
Materials of Construction	Cast Iron, Stainless Steel, *HCl
Configurations	Horizontal Vertical Submersible Cantilever Column
Sealing	Multiple options available
Maximum Flow	4500 GPM (1022 m <sup>3</sup> /hour)
Maximum Head	226 feet (69 m)
Discharge Size	2, 3, 4, 6, 8 inch (5, 7.6, 10, 15, 20.32 cm)

\*HCl available in some configurations



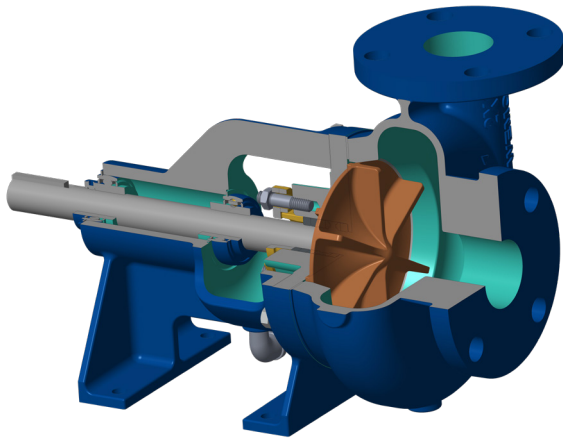
- Vortex impeller pump for large soft solids
- Passes large, soft solids without plugging
- Economical, yet heavy duty
- Radial vane recessed impeller
- Trimmable impeller
- Clock-wise and counter-clock-wise rotations available
- Best suited for low flows with large solids



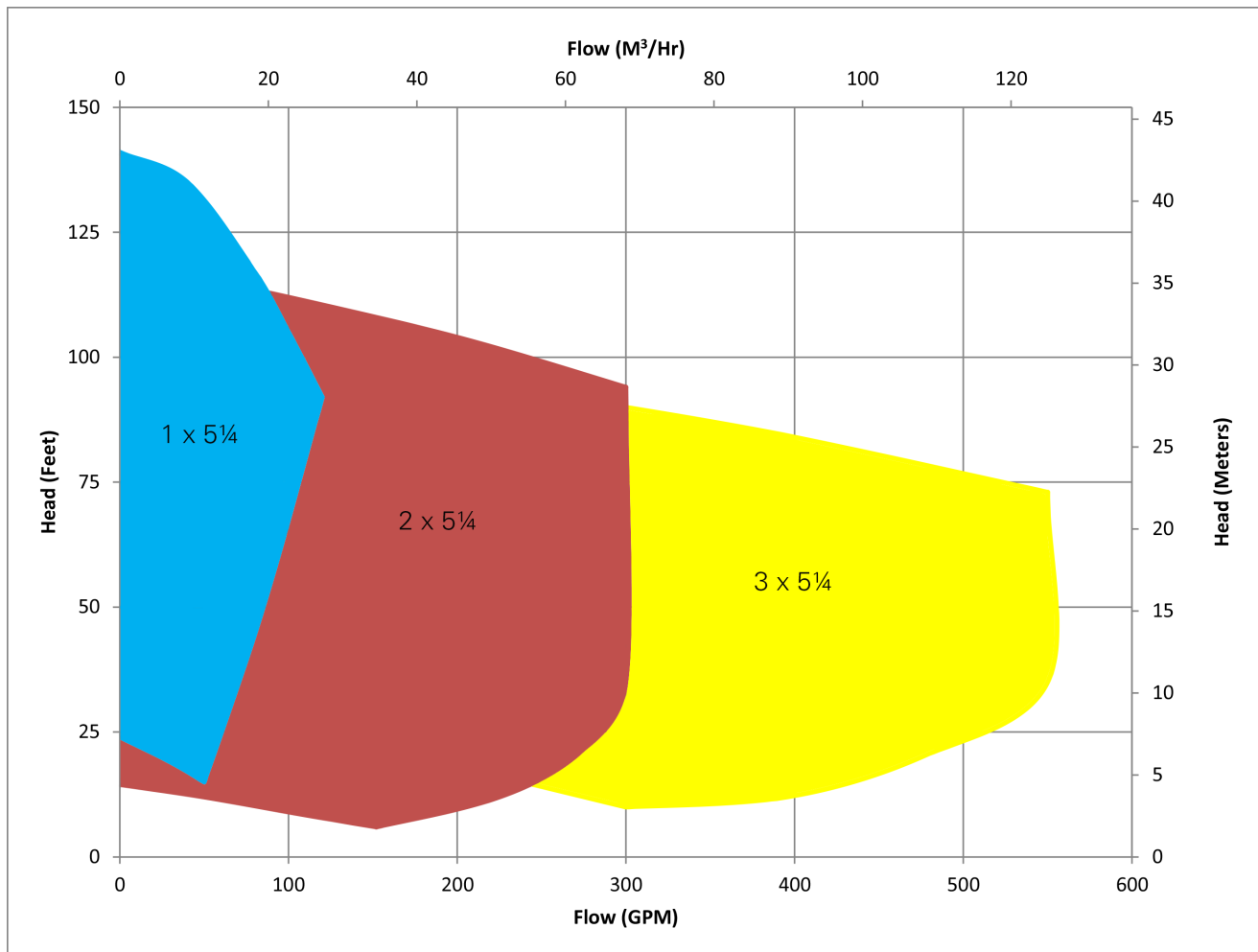
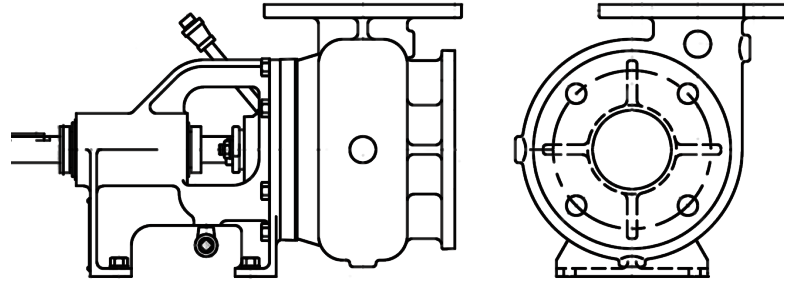
SCP36720  
SECONDARY SCUM PUMP

WEMCO

WEMCO® Torque-Flow® Model EL

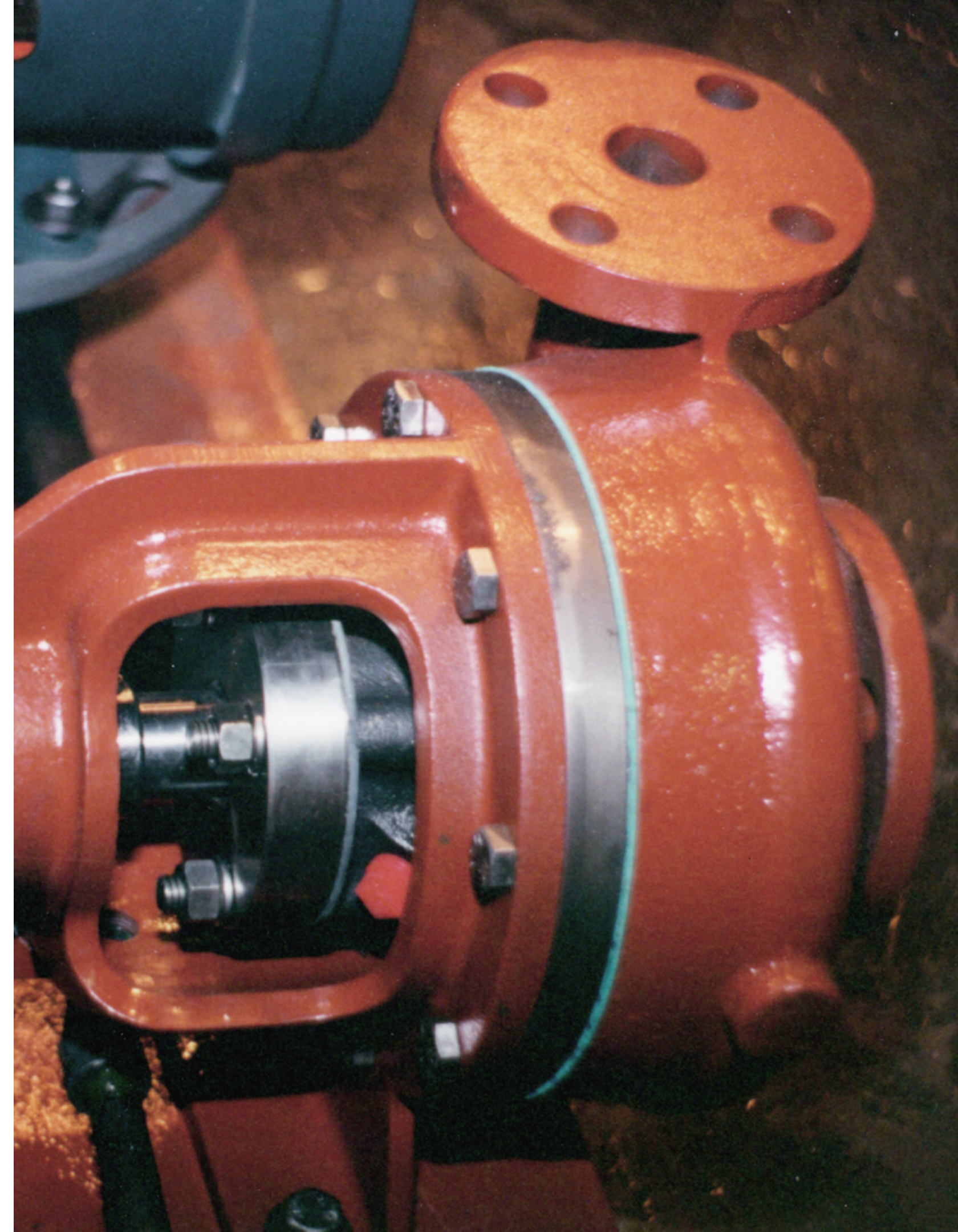


WEMCO Torque-Flow Model EL	
Materials of Construction	Cast Iron, Stainless Steel
Configurations	Horizontal
Sealing	Packing, component seals
Maximum Flow	to 550 GPM (125 m <sup>3</sup> /hour)
Maximum Head	to 141 feet (43m)
Discharge Size	1, 2, 3 inch (2.5, 5, 7.6 cm)

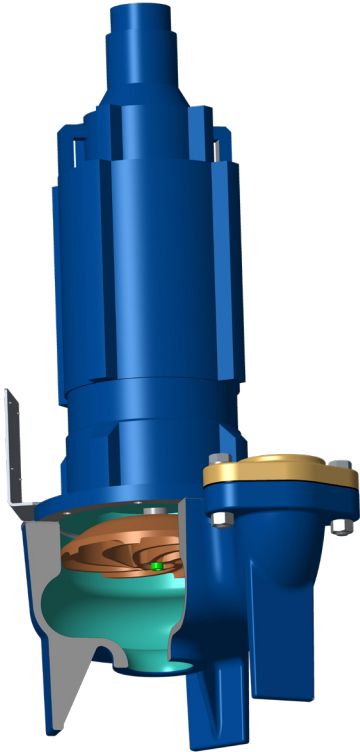


- Small recessed impeller pump
- Used for low-flow applications
- Extremely large solids passage for such a small pump
- Cast iron or stainless steel wet-end
- Trimmable impeller
- Radial vane recessed impeller
- Motor mounted option allows for smaller footprint

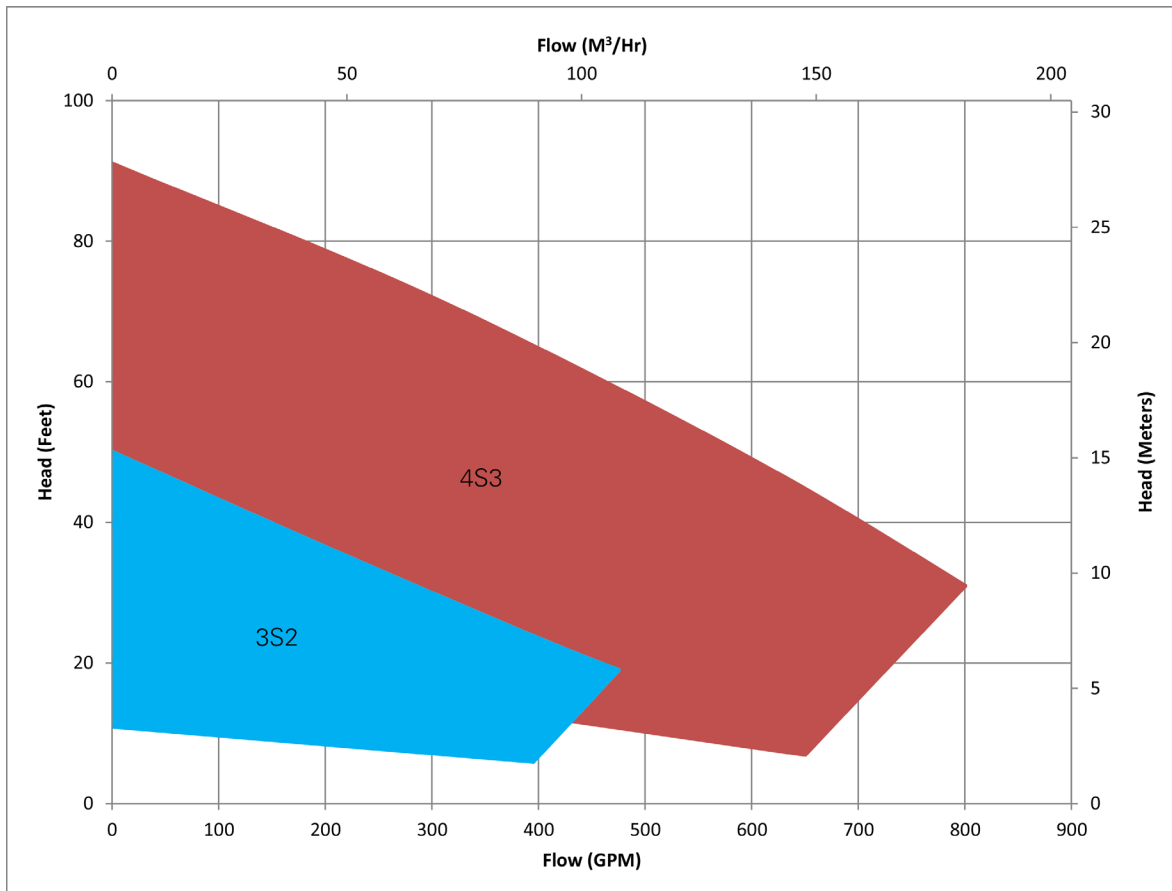
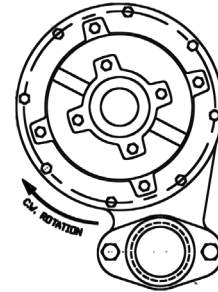
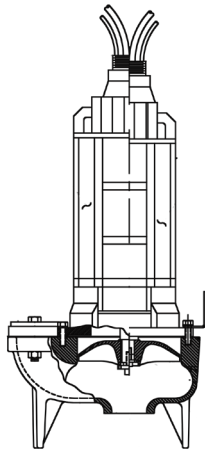




# WEMCO® Torque-Flow® Model S



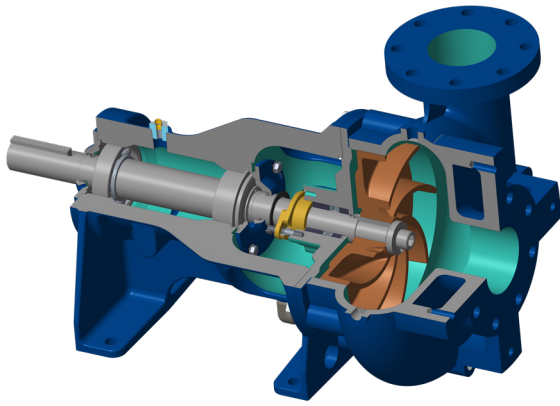
WEMCO Torque-Flow Model S	
Materials of Construction	Cast Iron
Configurations	Submersible
Sealing	Submersible motor seals
Flow	800 GPM (182 m <sup>3</sup> /hour)
Head	91 feet (28 m)
Discharge Size	3, 4 inch (7.6, 10 cm)



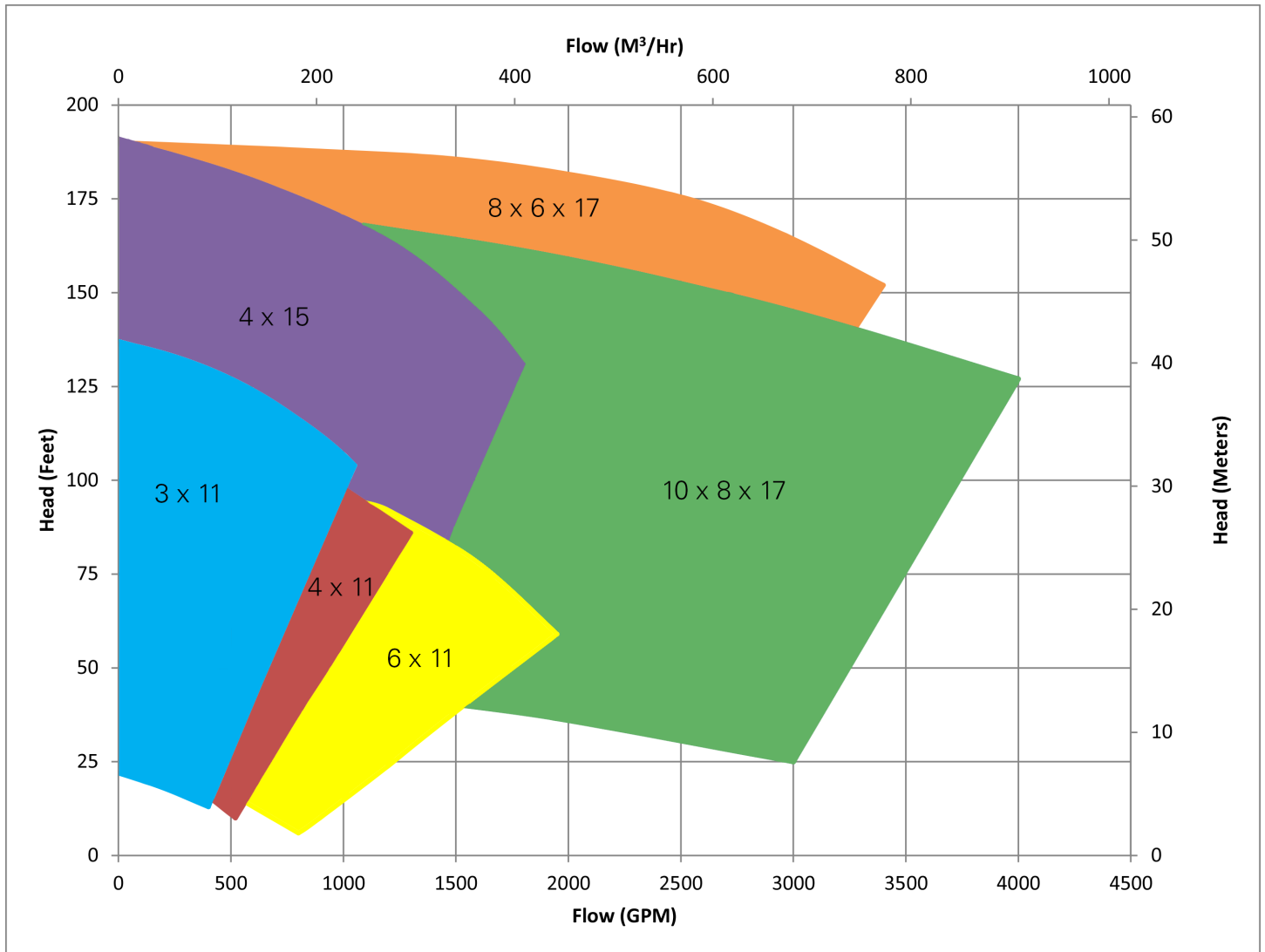
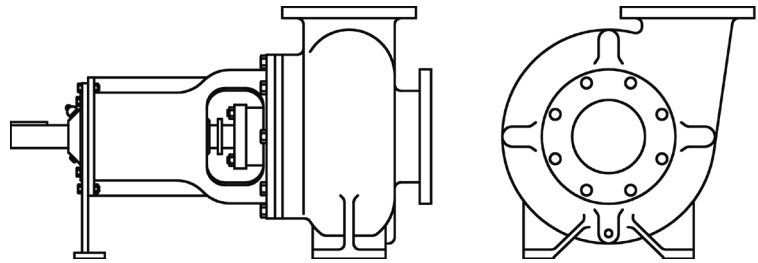
- Designed to be completely submerged while running
- Operates in clockwise rotation only
- Inexpensive submersible recessed impeller pump
- Threaded discharge connection available
- Legs can be cast integral to the casing
- Motor equipped with two seals for added protection of electrical parts



WEMCO® Torque-Flow® Model LR



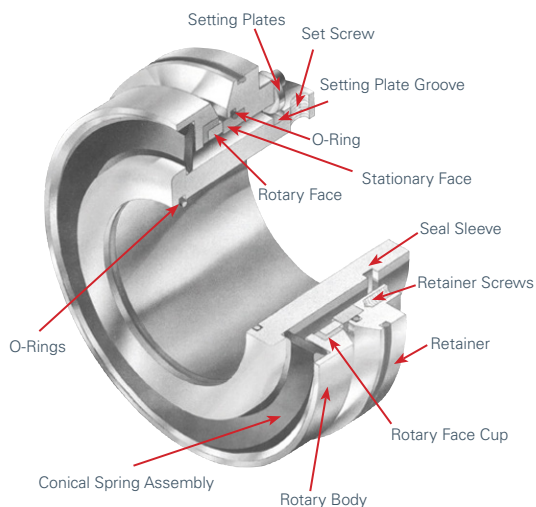
WEMCO Torque-Flow Model LR	
Materials of Construction	Cast Iron, Hi-Chrome
Configurations	Horizontal, vertical, submersible, cantilever
Sealing	Multiple options available
Maximum Flow	4000 GPM (909 m <sup>3</sup> /hour)
Maximum Head	191 feet (58 m)
Discharge Size	3, 4, 6, 8 inch (7.6, 10, 15, 20.32 cm)



- Trimmable impeller to meet a specific duty point
- Foot mounted case with a true back pull-out power end
- Advanced impeller design for high efficiency, reaching 60 percent
- Special alloys are available to meet specific requirements
- Ideal for difficult solids-handling applications including entrained air



## Slurry Seal for WEMCO® Torque-Flow® pumps Flushless Seals for Municipal and Industrial Applications



The slurry seal for WEMCO Torque-Flow pumps replace standard packing and requires no external flush system. The slurry seal operates in the product being pumped without diluting the product.

The slurry seal is a simple, pre-set cartridge that requires no measuring or special tools for installation in the pump housing. Replacement seal parts can be fitted easily by hand, using only basic hand tools and a suitable lubricant.

Constructed of CD4MCu and 316 Stainless Steel components with Viton® or EPDM elastomer and tungsten carbide on silicon carbide seal faces, the slurry seal will provide a long life of trouble free service.

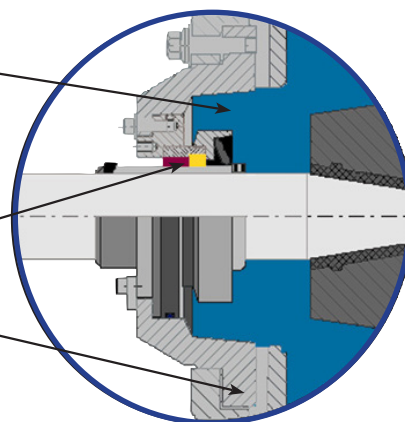
### Flushless Design and Simplicity in Motion

#### No Flush Required

- Saves thousands of gallons of water per pump, per year
- Eliminates seal water system maintenance and power

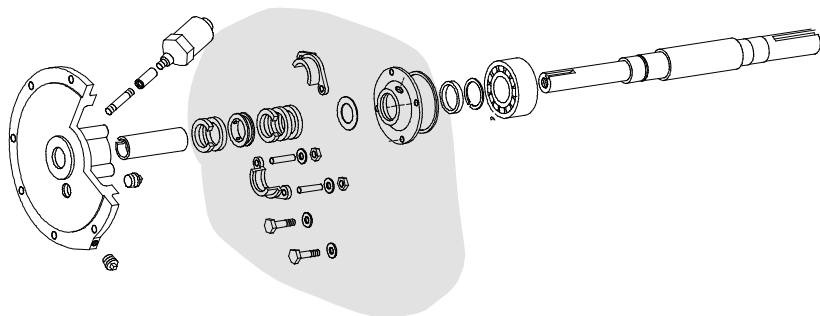
#### Slurry Rated Design

- State-of-the-art materials stand up to what ever is pumped without flush water
- 600 Brinell abrasion-resistant seal chamber



## Retrofit Your Existing WEMCO Torque-Flow Pumps

Replace all of this...



With this...



Kit includes all the components necessary to convert a WEMCO Torque-Flow pump, including:

- Slurry Seal
- 600 Brinell Hi Chrome seal chamber, ASTM A532
- 650 Brinell Hi-Chrome or Ni-Hard backplate, with larger-than-standard bore to allow greater circulation of pumped liquid.

### Installation

The slurry seal is installed from the impeller side of the pump, only requiring removal of the pump case, impeller and backplate (where installed) for complete access to the seal for installation, inspection and/or maintenance.

### Specifications

A single cartridge mechanical seal, requiring no external flushing, shall be furnished for installation in the pump. The seal shall utilize a rotating and stationary seal ring loaded by a non-fouling conical spring encapsulated in Viton®. Installation of the seal shall require no measurements or scribe marks on the shaft. The stationary ring shall be silicon carbide and the rotating ring shall be tungsten carbide.





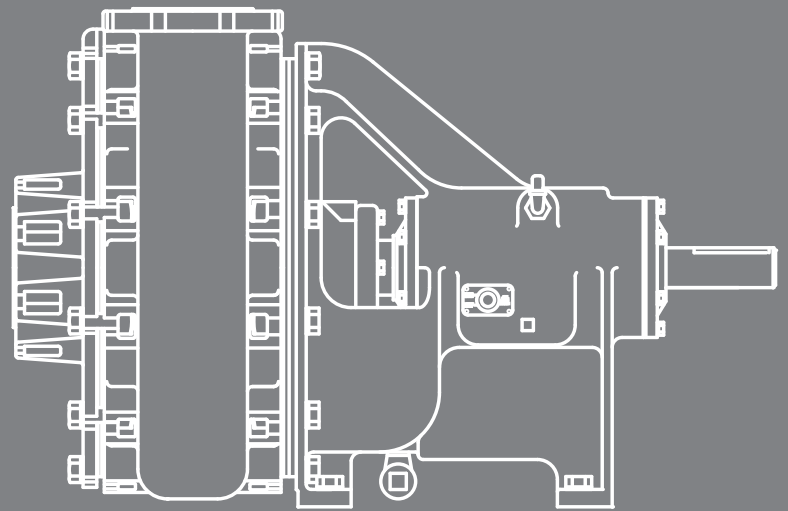
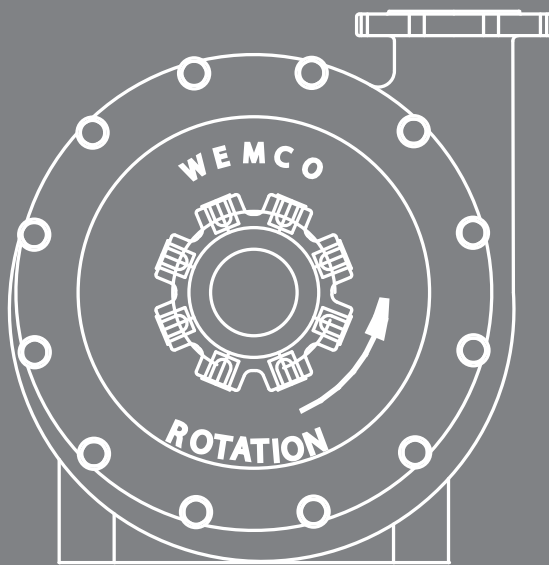
## WEMCO Torque-Flow Pumps

440 West 800 South  
Salt Lake City, Utah 84101  
USA

T 801 359 8731  
[www.trilliumflow.com](http://www.trilliumflow.com)

Copyright © 2019, 2017, 2016 Trillium Flow Technologies. All rights reserved.  
TORQUE-FLOW is a trademark of Envirotech Pumpsystems, Inc. WEMCO is a trademark of  
FLSmith A/S used under license by companies forming part of Trillium Flow Technologies.  
Viton is not a trademark of any company forming part of Trillium Flow Technologies.

Wemco Torque-Flow Pumps  
Version 5, August 2019



AUSTRALIAN DISTRIBUTOR



CALL 1300 789 466

*When Pump Knowledge Matters*

[www.kelairpumps.com.au](http://www.kelairpumps.com.au)