



ALBIN PUMP

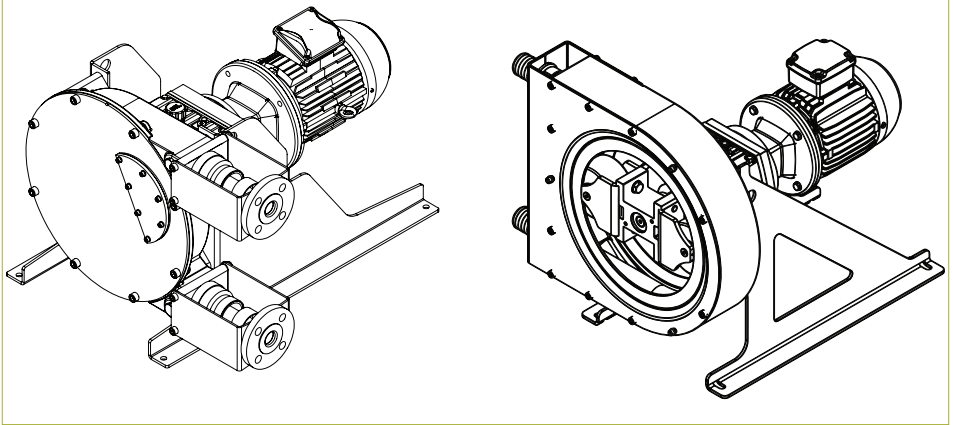
Peristaltic Pumps / Product Safety Information





PERISTALTIC PUMPS

Product Safety Information



EN	Product Safety Information	3
ES	Información de seguridad sobre el producto	6
FR	Informations de sécurité du produit	10
IT	Informazioni sulla sicurezza del prodotto	14
DE	Hinweise zur Produktsicherheit	18
NL	Productveiligheidsinformatie	22
DA	Produktsikkerhedsinformation	26
SV	Produktsäkerhetsinformation	30
NO	Sikkerhetsinformasjon for produktet	34
FI	Tuotteiden turvatiedot	38
PT	Informações de Segurança do Produto	42
EL	Πληροφορίες ασφάλειας προϊόντος	46
SL	Informacije o varnem ravnanju z izdelkom	50
SK	Bezpečnostné informácie o výrobku	54
CS	Bezpečnostní informace o výrobku	58
ET	Toote ohutusteave	62
HU	A termék biztonsági információja	66
LT	Gaminio saugos informacija	70
LV	Iekārtas drošības informācija	74
PL	Informacje dotyczące bezpieczeństwa obsługi narzędzia	78
BG	Информация за безопасността на продукта	82
RO	Informații privind siguranța produsului	86
TR	Ürün Emniyet Bilgileri	90
RU	Информация по безопасности при	94
ZH	产品安全信息	98
JA	製品安全情報	101
KO	제품 안전 정보	104



PERISTALTIC PUMPS

Product Safety Information

PRODUCT DESCRIPTION

Peristaltic pumps are a rotary electric motor-driven positive displacement pump containing a hose which is successively compressed mechanically to achieve pumping action. These pumps are able to pump harsh chemicals, but compatibility needs verification to select the correct hose material before operation. Any other use outside of the intended purpose defined in ALBIN literature may cause equipment damage and / or serious injury or death. Your local ALBIN distributor is at your disposal for information that you may not find in this manual.

GENERAL PRODUCT SAFETY INFORMATION

WARNING!

- Do not operate before reading manual(s) supplied with this product.
 - Read all documentation supplied with the product.
 - Contact ALBIN PUMP or nearest Distributor if in doubt about installation, operation, inspection and/or maintenance instructions.
 - Do not discard manuals. Keep manuals readily available for all personnel.
- Always install, operate, inspect and maintain this product in accordance with all applicable standards and regulations (local, state, country, federal, etc.)
- Always wear eye protection when operating or performing maintenance on this pump.
- Always wear hearing protection when operating this pump.
- Always use Personal Protective Equipment appropriate to the pump being operated. This may include a dust mask or a breathing apparatus, safety glasses, ear plugs, gloves, apron, safety shoes, hard hat and other equipment.
- Do not modify the pump, safety devices, or accessories.
- Use accessories recommended by Albin Pump.

Transport and Storage

- Store pump in a dry place. Do not remove product from box / packaging during storage.
- Do not drop or damage box / packaging. Handle with care.

PERISTALTIC PUMPS USED IN POTENTIALLY EXPLOSIVE ATMOSPHERES (ATEX)

The Declaration of Conformity in the Instruction Manual states that some of the pumps models are in compliance with European Community Directive 2014/34/EC for equipment intended for use in potentially explosive atmospheres, commonly referred to as the ATEX Directive. Refer to labeling on product, located near or on data (name) plate, for specific ATEX designation. Products not marked as such, are not suitable for use in any potentially explosive atmosphere (ATEX). Refer to the Instruction Manual for further model descriptions.

SPECIAL CONDITIONS FOR PUMPS USED IN POTENTIALLY EXPLOSIVE ATMOSPHERES (ATEX)

WARNING!

- Non-compliance with any of these "Special Conditions" could result in ignition of potentially explosive atmospheres.
- Only pump models conforming to the EU "ATEX Directive" should be used in potentially explosive atmospheres.
- Dust or particulates can cause ignition at the pump surface temperature limits. Ensure proper maintenance schedules to eliminate dust buildup on the pump.
- Static sparks can cause explosion resulting in severe injury or death. Ground pump and pumping system. Consult local, regional & national building and electrical codes. Static sparks can ignite flammable material and vapors.
- The pump and the suction / discharge connections must be grounded when used in a location where surrounding atmosphere is conductive to spontaneous combustion.
- Use the bonding strip lug provided on the pump frame or housing for connecting to a good earth ground source.
- After grounding, periodically verify continuity of electrical path to ground. Test with an ohmmeter from each component (e.g., hoses, pump, clamps, container, etc.) to ground to ensure continuity.
- Keep flammable liquids / fluids away from heat, open flames and sparks.
- If elevated temperatures or elevated vibration levels are detected, shut the pump off and discontinue its use until it can be inspected and/or repaired.
- Do not perform maintenance or repairs in an area where explosive atmospheres are present.
- Leaking fluids can cause potential explosion hazards.
- Hose rupture can cause fluid leakage and create potentially explosive atmospheres.



PERISTALTIC PUMPS

Product Safety Information

WHEN PLACING THE PUMP IN SERVICE

WARNING!

- Ensure electrical installation is performed by a qualified electrician.
- Lockout and tagout the main electrical supply to prevent possibility of power being supplied to the pump during installation or maintenance.
- The owner / electrical contractor must size the feeder cables to ensure that the circuit is balanced and not overloaded by other electrical equipment.
- Connect the pump only to electrical systems that are compatible with its electrical characteristics and that are within its rated capacity. Do not connect to an electrical supply of incorrect voltage and/or frequency.
- Install a main line disconnect switch on the incoming line. The pump is not equipped with an electrical disconnecting device. The owner is responsible for the design and installation of disconnect, overvoltage, short circuit, and overload protection.
- For any operation / maintenance of the pump, it is necessary to make certain that the pump operation has ceased and the electrical supply disconnected.
- The start system of the motor should be provided with a direction inverter, stop-go button and emergency stop button (together with the pump), in such a way that the pump can be operated with total safety.
- Always make sure the voltage on the pump data plate matches the installation voltage before plugging the pump into a wall outlet or connecting to an electrical supply. If you are unsure, have a licensed electrician inspect and install your pump.
- To reduce the risk of electrical shock-before maintenance, repair, or moving, always disconnect the power to the pump.
- Provide suitable grounds, clearance and lightning arrestors for all electrical components.
- Verify grounding connections after initial installation and periodically thereafter to ensure good contact and continuity has been maintained.

Handling

CAUTION!

Follow these instructions while lifting the pump:

- Lift the complete pump using the lifting holes / rings and additional support on the gearbox and the motor using suitably rated straps or slings.
- Always use lifting equipment of properly rated for the weight capacity. Never exceed the upper limits of the lifting equipment.
- The pump will tend to tilt towards the pump casing side due to its center of gravity. Make sure that personnel are at a safe distance from the pump to avoid any risk of injury while it is being lifted.
- Never lift the pump by its suction / discharge connections.

Installation

- Verify correct pump model and configuration prior to installation.
- Install the pump in a well-ventilated area away from heat sources. Provide enough space behind the motor ventilator hood so as not to obstruct air intake.
- The position of the pump should allow easy access to all maintenance operations.
- Pumps are tested with water during assembly. Flush pump with compatible fluid prior to installation.
- Protect the pump from external damage and do not use the pump for structural support of the piping system. Be certain that the system components are properly supported to prevent stress on the pump parts.

WHEN USING THE PUMP

WARNING!

- Maximum surface temperature depends on the operating conditions of the motor, pump and hose friction. Do not exceed maximum temperature limits. Refer to the Instruction Manual for maximum temperature limits.
- High pressure systems can cause personal injury, death, pump damage or property damage.
- Be sure that connecting hoses and other piping components are able to withstand fluid transmitted by this pump.
- Do not exceed the maximum material pressure of any component in the system.
- Do not service or clean pump and hoses while the pump is running.
- During hose replacement, the hose can come out of the pump casing very fast and may cause harm. No personnel should be in front of the pump's suction / discharge side while replacing the hose.
- Pump damage caused by improper mounting, piping stress and external damage can result in fluid leakage. Insufficient lubricant levels in the pump can generate surface temperatures higher than the recommended temperature limit of the pump. Refer to the Instruction Manual for lubrication requirements.
- Be certain all operators of the pump have been trained for safe working practices, understand its limitations, and wear appropriate eye, hearing and other personal protection as required.



PERISTALTIC PUMPS

Product Safety Information

CAUTION!

- Do not start the pump without the front cover properly secured.
- Suction and discharge piping must be of flexible type and compatible with the substance being pumped.
- Prevent unnecessary damage to the pump. Do not allow pump to operate when out of fluid medium for long periods of time.
- Disconnect power line from pump when system sits idle for long periods of time.
- Verify the chemical compatibility of the hose and the insert material with the substance being pumped. Chemical compatibility may change with temperature and concentration of the chemical(s) within the substances being pumped. For specific fluid compatibility, consult the chemical manufacturer.

Operation

WARNING!

- Ensure that all protections (cover, sight glass, ventilator hood and coupling protection) are in place before operating the pump.
- Start operating the pump only after all electrical and mechanical connections are thoroughly checked.
- Hose life or product / fluid loss prevention is not guaranteed by Albin Pump. It is responsibility of owner to install fluid loss detectors.
- Hose rupture can lead to pump casing being filled with the pumped product and leakage of product out of the pump. A leakage detector and automatic shutdown valve are recommended to prevent such occurrences.
- The pump is volumetric and can build high pressures even by partial blockage of the discharge line. Ensure protections are in place to prevent any blockage of discharge line. Refer to the Instruction Manual for recommendations.
- Excessive material pressure: thermal expansion can occur when fluid in material lines is exposed to elevated temperatures and can cause system rupture. Install a pressure relief valve in the pumping system.
- Hazardous Material: Can cause serious injury or property damage. Do not attempt to return a pump to factory or service center that contains hazardous material. Safe handling practices must comply with local and national laws and safety code requirements.

NOTICE : Refer to the Instruction Manual for Pump & Model specific safety information.

SAFETY SYMBOL IDENTIFICATION



Hot Surface



Do not scrub static
spark Explosion
Hazard



Crushing Hazard



Atex Equipment



Read Manuals
Supplied
With Product

EXPLANATION OF SAFETY SIGNAL WORDS

DANGER! Indicates an imminently hazardous situation which, if not avoided, will result in death or serious injury.

WARNING! Indicates a potentially hazardous situation which, if not avoided, could result in death or serious injury.

CAUTION! Indicates a potentially hazardous situation which, if not avoided, may result in minor or moderate injury or property damage.

NOTICE! Indicates information or a company policy that relates directly or indirectly to the safety of personnel or protection of property.

PRODUCT PARTS INFORMATION

CAUTION!

Only allow ALBIN PUMP trained technicians to perform maintenance on the products. For additional information contact ALBIN PUMP or nearest authorized distributor. The use of other than genuine ALBIN PUMP replacement parts may result in safety hazards, decreased pump performance and increased maintenance and will invalidate all warranties.

The original language of this manual is English. Other languages are a translation of the original manual. Manuals can be downloaded from www.albinpump.com

Refer all communications to the nearest ALBIN PUMP Office or Distributor.



BOMBAS PERISTÁLTICAS

Información de seguridad sobre el producto

DESCRIPCIÓN DEL PRODUCTO

La bomba peristáltica de manguera es una bomba rotativa de desplazamiento positivo accionada por motor eléctrico que contiene una manguera que se comprime sucesivamente de forma mecánica para producir la acción de bombeo. Estas bombas se utilizan para bombear productos cuya compatibilidad con la manguera debe comprobarse antes del funcionamiento. Todo uso diferente puede causar daños en el equipo y/o lesiones personales graves o incluso la muerte.

INFORMACIÓN GENERAL SOBRE SEGURIDAD DEL PRODUCTO

ADVERTENCIA!

- No utilice el producto antes de haber leído el manual o los manuales con él proporcionados.
 - Lea toda la documentación que se facilita junto con el producto.
- Póngase en contacto con ALBIN PUMP o con el distribuidor más cercano si tiene dudas sobre las instrucciones de instalación, utilización, inspección y mantenimiento.
- No se deshaga de los manuales. Téngalos siempre a disposición del personal.
- Siempre instale, opere y haga mantenimiento de este producto, acorde con los estándares y regulaciones locales.
- Utilice siempre protección ocular cuando maneje esta bomba o realice en ella operaciones de mantenimiento.
- Utilice siempre protección para los oídos cuando maneje esta bomba.
- Utilice siempre el equipo de protección personal que corresponda a la bomba en uso y al material con el que se trabaja. Esto puede incluir una mascarilla contra el polvo u otro aparato de respiración, gafas de seguridad, tapones para los oídos, guantes, un delantal, zapatos de seguridad, un casco u otros elementos.
- No modifique la bomba, los dispositivos de seguridad ni los accesorios.
- Utilice accesorios recomendados por ALBIN PUMP.

Transporte y Almacenamiento

- Almacene el producto en un lugar seco. No extraiga el producto de la caja / el embalaje mientras se encuentre almacenado.
- No deje caer ni dañe la caja/el embalaje. Trate el producto con cuidado.

BOMBAS PERISTÁLTICAS DE MANGUERA UTILIZADAS EN ATMÓSFERAS POTENCIALMENTE EXPLOSIVAS (ATEX)

La Declaración de conformidad del Manual de instrucciones establece que algunos de los modelos de bomba cumplen la Directiva de la Comunidad Europea 2014/34/EC para el uso de equipos en atmósferas potencialmente explosivas, normalmente conocida como la Directiva ATEX. Consulte las etiquetas del producto, situadas en la placa de características (nombre) o junto a esta, para conocer la designación específica de la ATEX. Los productos que no presenten esta designación no serán adecuados para utilizarse en atmósferas potencialmente explosivas (ATEX). Consulte el Manual de instrucciones para obtener descripciones adicionales de los modelos.

CONDICIONES ESPECIALES PARA LAS BOMBAS UTILIZADAS EN ATMÓSFERAS POTENCIALMENTE EXPLOSIVAS (ATEX)

ADVERTENCIA!

- En atmósferas potencialmente explosivas, el incumplimiento de cualquiera de las siguientes "Condiciones especiales" podría derivar en un incendio.
- Solo los modelos de bombas que cumplan la "Directiva ATEX" de la UE pueden utilizarse en atmósferas potencialmente explosivas.
- Las chispas estáticas pueden provocar una explosión que podría causar lesiones graves o la muerte. Conecte a tierra la bomba y el sistema de bombeo. Consulte los códigos locales, regionales y nacionales de construcción y electricidad.
- Las chispas estáticas pueden quemar el material inflamable y formar vapores.
- La bomba y las conexiones de succión / descarga deben conectarse a tierra cuando se utilicen en un emplazamiento en el que la atmósfera circundante facilite la combustión espontánea.
- Utilice la lengüeta eléctrica del puente de continuidad situada en la carcasa o el bastidor de la bomba para realizar una conexión a una fuente de toma de tierra segura.
- Tras realizar la toma a tierra, deberá comprobarse periódicamente la continuidad del conductor eléctrico a tierra. Pruebe con un ohmímetro la conexión de cada componente (p. ej., las mangueras, la bomba, las abrazaderas, el contenedor, etc.) a la toma de tierra para garantizar la continuidad.
- Mantenga los líquidos o fluidos inflamables alejados de las fuentes de calor, las llamas abiertas y las chispas.
- Si se detectan valores elevados de temperatura o vibración, apague la bomba y deje de utilizarla hasta que se revise y/o repare.
- No efectúe el mantenimiento ni las reparaciones en zonas con atmósfera explosivas.
- Las fugas de fluidos pueden conllevar posibles riesgos de explosión.
- Si la manguera se rompe, pueden producirse fugas de fluidos y crearse atmósferas potencialmente explosivas.



BOMBAS PERISTÁLTICAS

Información de seguridad sobre el producto

PUESTA EN SERVICIO DE LA BOMBA

ADVERTENCIA!

- Asegúrese de que la instalación eléctrica corra a cuenta de un electricista calificado.
- Bloquee/etiquete el suministro eléctrico principal para evitar que se produzca la posibilidad de que la bomba reciba alimentación durante la instalación/ el mantenimiento.
- El propietario/contratista eléctrico debe dimensionar los cables de alimentación para asegurarse de que el circuito esté equilibrado y no se encuentre sobrecargado por otros equipos eléctricos.
- Conecte la bomba solamente a los sistemas eléctricos que sean compatibles con sus características eléctricas y que estén dentro de su capacidad nominal. No la conecte a una fuente de suministro eléctrico de voltaje y/o frecuencia incorrectos.
- Instale un interruptor de desconexión de la línea principal en la línea de entrada. La bomba no está equipada con un dispositivo de desconexión eléctrica. El propietario es responsable del diseño y la instalación de la protección contra desconexión, sobrevoltaje, cortocircuito y sobrecarga.
- Para realizar cualquier operación o tarea de mantenimiento en la bomba, es necesario asegurarse de que esta se encuentra detenida y de que el suministro eléctrico está desconectado.
- El sistema de arranque del motor debería proporcionarse con un inversor de dirección, un botón de arranque-parada y un botón de parada de emergencia (junto con la bomba), de forma que la bomba pueda utilizarse con total seguridad.
- Asegúrese siempre de que el voltaje indicado en la placa de características de la bomba coincide con el voltaje de instalación antes de conectar la bomba a un enchufe de pared o a una fuente de suministro eléctrico. Si no está seguro, haga que un electricista titulado revise e instale la bomba.
- Para reducir el riesgo de descargas eléctricas, antes de realizar tareas de mantenimiento o reparación o de mover la bomba, desconéctela siempre de la alimentación.
- Proporcione las conexiones a tierra, la separación y los pararrayos adecuados para todos los componentes eléctricos.
- Verifique las conexiones a tierra después de la instalación inicial y periódicamente en lo sucesivo para garantizar que se han mantenido un contacto y una continuidad adecuados.

Manipulación

CUIDADO!

Siga estas instrucciones cuando ice la bomba:

- Ice la bomba en su totalidad mediante los anillos / orificios de izado, además de servirse de un soporte adicional en la caja de engranajes y el motor utilizando eslingas y correas de los valores adecuados.
- Utilice siempre un equipo de izado de la capacidad adecuada. No exceda nunca los límites superiores del equipo de izado.
- La bomba tenderá a inclinarse hacia el lado correspondiente a su cuerpo debido a su centro de gravedad. Asegúrese de que el personal se encuentre a una distancia segura de la bomba para evitar cualquier riesgo de lesiones durante el izado.
- No ice nunca la bomba por sus conexiones de succión / descarga.

Instalación

- Verifique el modelo y la configuración de la bomba antes de la instalación, para comprobar que son correctos.
- Instale la bomba en un área bien ventilada, alejada de fuentes de calor. Proporcione un espacio suficiente detrás de la cubierta del ventilador del motor, de forma que la entrada de aire no se vea obstruida.
- La posición de la bomba debería permitir un acceso sencillo para todas las operaciones de mantenimiento.
- Las bombas se prueban con agua durante el ensamble. Limpie la bomba con líquido compatible antes de la instalación.
- Proteja la bomba de daños externos y no la utilice como soporte estructural del sistema de conductos. Asegúrese de que los componentes del sistema disponen del soporte adecuado para evitar la tensión sobre las piezas de la bomba.

UTILIZACIÓN DE LA BOMBA

ADVERTENCIA!

- La temperatura máxima de la superficie depende de las condiciones de funcionamiento del motor, de la bomba y de la fricción de la manguera. No exceda los límites máximos de temperatura. Consulte en el Manual de instrucciones dichos límites.
- Una alta presión puede causar lesiones personales, la muerte, daños en la bomba o daños materiales.
- Asegúrese de que las mangueras de conexión y demás componentes de los conductos soporten las presiones de los fluidos desarrolladas por esta bomba.
- No supere la presión máxima del material de ningún componente del sistema.
- No realice el mantenimiento de la bomba y las mangueras ni las limpie con la bomba en funcionamiento.
- Durante la sustitución de la manguera, esta puede salirse del cuerpo de la bomba con gran rapidez y provocar lesiones. No debe haber ninguna persona enfrente del lateral de succión / descarga de la bomba mientras se realiza la sustitución de la manguera.
- Los daños causados en la bomba por un montaje incorrecto o por la presión de los conductos y los daños exteriores pueden resultar en pérdidas de fluido.



BOMBAS PERISTÁLTICAS

Información de seguridad sobre el producto

- Unos niveles de lubricante insuficientes en la bomba pueden generar temperaturas de la superficie superiores al límite de temperatura recomendado para la bomba. Consulte el Manual de instrucciones para conocer los requisitos de lubricación.
- Asegúrese de que todos los operadores de la bomba han recibido formación sobre las prácticas de trabajo seguras, entienden sus limitaciones y llevan puesta la protección ocular, para los oídos y demás protección personal, según sea necesario.

CUIDADO!

- No ponga en marcha la bomba sin haber instalado primero la cubierta frontal.
- Las conexiones de succión y descarga deben ser compatibles con la sustancia que se está bombeando.
- Evite daños innecesarios en la bomba. No permita que la bomba funcione vacía durante periodos de tiempo prolongados.
- Desconecte la línea de energía de la bomba cuando el sistema esté inactivo durante largos periodos de tiempo.
- Verifique la compatibilidad química de la manguera y el material de inserción con la sustancia que se está bombeando. Puede que la compatibilidad química varíe con la temperatura y la concentración de sustancia(s) química(s) en las sustancias que se están bombeando. Consulte con el fabricante de las sustancias químicas la compatibilidad del fluido concreto.

Funcionamiento

ADVERTENCIA!

- Asegúrese de que todas las protecciones (la cubierta, el visor, la cubierta del ventilador y la protección de los acoplamientos) estén instaladas antes de poner la bomba en funcionamiento.
- Ponga solo la bomba en funcionamiento una vez controladas detenidamente todas las conexiones eléctricas y mecánicas. ALBIN PUMP no garantiza la vida útil de la manguera ni la prevención de la pérdida de fluidos/productos. Es responsabilidad del propietario instalar detectores de pérdida de fluidos.
- Si la manguera se rompe, el cuerpo de la bomba puede llenarse con el producto bombeado y pueden producirse fugas de este fuera de la bomba.
- Se recomienda la utilización de un detector de fugas y una válvula de cierre automático para evitar tales incidencias.
- La bomba, al ser volumétrica, puede acumular presiones elevadas, incluso debido a un bloqueo parcial del tubo de descarga. Asegúrese de que las protecciones están instaladas para evitar que se bloquee el tubo de descarga.
- Exceso de presión del material. Se producirá una expansión térmica cuando los fluidos de las líneas de materiales estén expuestos a temperaturas elevadas, lo que provocará una rotura del sistema. Instale una válvula limitadora de presión en el sistema de bombeo.
- Materiales peligrosos. Pueden causar lesiones graves o daños materiales. No trate de devolver a la fábrica o centro de servicio una bomba que contenga material peligroso. Las prácticas de acarreo seguras deben cumplir con las leyes locales y nacionales y los requisitos del código de seguridad.

AVISO: Consulte el manual de instrucciones para obtener información de seguridad específica de bomba y modelo.



BOMBAS PERISTÁLTICAS

Información de seguridad sobre el producto

IDENTIFICACIÓN DE LOS SÍMBOLOS DE SEGURIDAD



Superficie
Caliente



Riesgo de Explosión
por Chispa Estática



Riesgo de
Aplastamiento



Atex Equipment



Lea los Manuales
Suministrados con el
Producto

EXPLICACIÓN DE LOS MENSAJES DE LAS SEÑALES DE SEGURIDAD

PELIGRO! Indica una situación de peligro inminente que, de no evitarse, producirá lesiones graves o la muerte.

ADVERTENCIA! Indica una situación potencialmente peligrosa que, si no se evita, podría provocar la muerte o lesiones graves.

CUIDADO! Indica una situación potencialmente peligrosa que, si no se evita, puede resultar en lesiones leves o moderadas o daños a la propiedad.

AVISO! Indica información o una política de la empresa directa o indirectamente relacionada con la seguridad del personal o la protección de la propiedad.

INFORMACIÓN SOBRE LAS PIEZAS DEL PRODUCTO

CUIDADO!

El uso de piezas de recambio que no sean las auténticas piezas ALBIN PUMP podría poner en peligro la seguridad, reducir el rendimiento de la del equipo y aumentar los cuidados de mantenimiento necesarios, así como invalidar toda garantía.

Las reparaciones sólo serán realizadas por personal calificado y autorizado. Consulte con el centro de servicio ALBIN PUMP autorizado más próximo.

El idioma original de este manual es el inglés.

Los manuales pueden descargarse en www.albinpump.com

Toda comunicación se deberá dirigir a la oficina o al distribuidor ALBIN PUMP más próximo.



POMPES PÉRISTALTIQUES

Informations de sécurité du produit

DESCRIPTION DU PRODUIT

Une pompe péristaltique est une pompe contenant un tube flexible qui est comprimé mécaniquement afin d'obtenir une action de pompage. Ces pompes sont utilisées pour pomper des produits dont la compatibilité avec le tuyau flexible doit être vérifiée avant le fonctionnement. Toute autre utilisation risquerait d'endommager l'équipement et/ou d'entraîner de graves blessures ou même la mort de l'opérateur.

INFORMATIONS GÉNÉRALES CONCERNANT LA SÉCURITÉ D'UTILISATION DU PRODUIT

AVERTISSEMENT!

- N'utilisez pas ce produit avant d'avoir lu les manuel(s).
- Lisez toute la documentation fournie avec le produit.
- Prenez contact avec ALBIN PUMP ou le distributeur le plus proche en cas de doute concernant les instructions d'installation, d'utilisation, d'inspection ou de maintenance.
- Ne jetez pas les manuels. Conservez-les à la disposition de l'ensemble du personnel.
- Installez, utilisez, inspectez et entretenez toujours ce produit conformément à toutes les normes et réglementations en vigueur (locales, nationales, fédérales, européennes, etc.).
- Portez toujours une protection oculaire lorsque vous utilisez cette pompe ou procédez à sa maintenance.
- Portez toujours des protections auditives lorsque vous utilisez cette pompe.
- Portez toujours les équipements de protection individuelle appropriés pour la pompe et le matériau utilisés. Il peut s'agir de masques antipoussière ou d'autres dispositifs respiratoires, de lunettes de sécurité, de bouchons antibruit, de gants, d'un tablier, de chaussures de sécurité, d'un casque, etc.
- N'essayez jamais de modifier la pompe, les dispositifs de sécurité ou les accessoires.
- Utilisez les accessoires recommandés par ALBIN PUMP.

Transport et stockage

- Stockez le produit dans un local sec. Ne sortez pas le produit de son emballage durant le stockage.
- Ne faites pas tomber ou n'endommagez pas l'emballage, manipulez-le avec soin.

POMPES PÉRISTALTIQUES UTILISÉES DANS DES ATMOSPHÈRES POTENTIELLEMENT EXPLOSIVES (ATEX)

La déclaration de conformité contenue dans le manuel d'instructions indique que certains modèles de pompes sont conformes à la directive de la Communauté européenne 2014/34/EC, plus connue sous le nom de directive ATEX, concernant les équipements prévus pour une utilisation dans des atmosphères potentiellement explosives. Consultez les étiquettes figurant sur le produit, situées à proximité ou sur la plaque signalétique, pour connaître la désignation ATEX spécifique. Les produits où ne figure aucune désignation ATEX ne sont pas conçus pour être utilisés dans des atmosphères potentiellement explosives. Pour une description plus détaillée des modèles, consultez le manuel d'instructions.

CONDITIONS SPÉCIALES POUR LES POMPES UTILISÉES DANS DES ATMOSPHÈRES POTENTIELLEMENT EXPLOSIVES (ATEX)

AVERTISSEMENT!

- Le non-respect d'une seule de ces conditions particulières pourrait causer l'inflammation d'une atmosphère potentiellement explosive.
- Seuls les modèles de pompes conformes à la « Directive ATEX » de l'UE peuvent être utilisés dans une atmosphère potentiellement explosive.
- Certaines poussières peuvent s'enflammer aux limites de température à la surface de la pompe. Assurez l'entretien régulier afin d'éviter une accumulation de poussières sur la pompe.
- Les étincelles électrostatiques peuvent provoquer une explosion à l'origine de lésions corporelles graves ou mortelles. Raccordez la pompe et le système de pompage à la terre. Consultez les codes de bâtiment et de l'électricité Local, régionales et nationales. Les étincelles électrostatiques peuvent enflammer les matériaux et vapeurs inflammables.
- La pompe et les raccords d'aspiration/de refoulement doivent être mis à la terre lorsqu'ils sont utilisés dans un endroit où l'atmosphère environnante favorise la combustion instantanée.
- Utilisez la cosse de la tresse de mise à la terre disponible sur le châssis ou le carter de la pompe pour effectuer la connexion à une source de terre appropriée.
- Après la mise à la terre, vérifiez périodiquement la continuité du circuit de mise à la terre. Testez chaque composant mis à la terre (par exemple, les tuyaux flexibles, la pompe, les colliers de serrage, le réservoir, etc.) avec un ohmmètre pour assurer la continuité du circuit.
- Maintenez les liquides/fluides inflammables à l'écart de la chaleur, de flammes nues ou d'étincelles.
- Si des températures ou des niveaux de vibration élevés sont détectés, mettez la pompe à l'arrêt et cessez de l'utiliser jusqu'à son inspection et/ou sa réparation.



POMPES PÉRISTALTIQUES

Informations de sécurité du produit

- Ne procédez pas à la maintenance ou à une réparation dans une zone présentant une atmosphère explosive.
- Les fuites de liquide entraînent des risques d'explosion.
- La rupture d'un tuyau flexible peut provoquer des fuites de liquide et créer des atmosphères potentiellement explosives..

MISE EN SERVICE DE LA POMPE

AVERTISSEMENT!

- Veillez à ce que l'installation électrique soit réalisée par un électricien qualifié.
- Cadenassez/étiquetez l'alimentation électrique principale pour empêcher une éventuelle mise sous tension de la pompe pendant l'installation/la maintenance.
- L'utilisateur / électricien doit calibrer les câbles d'alimentation pour s'assurer que le circuit est équilibré et non surchargé par d'autres équipements électriques.
- Branchez la pompe uniquement sur des circuits électriques compatibles avec ses caractéristiques électriques et qui correspondent à sa capacité nominale. Ne la branchez pas à une alimentation électrique de tension et / ou fréquence incorrectes.
- Installez un disjoncteur sur la ligne d'entrée. La pompe n'est pas équipée d'un dispositif de déconnexion électrique. Le propriétaire est responsable de la conception et de l'installation des dispositifs de protection contre les déconnexions, les surtensions, les courts-circuits et les surcharges.
- Pour toute opération/maintenance de la pompe, vous devez vous assurer que la pompe est mise à l'arrêt et que l'alimentation électrique est débranchée.
- Le système de démarrage du moteur doit être fourni avec un inverseur de direction, un bouton Marche/Arrêt et un bouton d'arrêt d'urgence (relié à la pompe), de manière à ce que la pompe puisse fonctionner en toute sécurité.
- Assurez-vous toujours que la tension indiquée sur la plaque signalétique de la pompe correspond à la tension d'installation avant de brancher la pompe sur une prise murale ou de la connecter à une source d'alimentation électrique. En cas d'incertitude, faites inspecter et installer la pompe par un électricien agréé.
- Pour réduire le risque d'électrocution, n'oubliez pas de déconnecter la pompe de l'alimentation électrique avant une maintenance, une réparation ou un déplacement.
- Prévoyez des connexions à la terre, dégagements et parafoudres appropriés pour tous les composants électriques.
- Vérifiez les raccordements à la terre après l'installation initiale et assurez vous périodiquement par la suite que les contacts et la continuité du circuit sont maintenus.

Manutention

ATTENTION!

Respectez les instructions suivantes lorsque vous soulevez la pompe:

- Soulevez l'ensemble de la pompe à l'aide des trous/anneaux de levage, avec un soutien supplémentaire au niveau le réducteur de vitesse et du moteur grâce à des élingues ou des sangles soigneusement choisies.
- Utilisez toujours un équipement de levage de capacité appropriée. Ne dépassez jamais les limites supérieures de l'équipement de levage.
- La pompe a tendance à basculer vers le corps de la pompe du fait de son centre de gravité. Assurez-vous que le personnel respecte une distance de sécurité par rapport à la pompe pour éviter les risques de blessures pendant son levage.
- Ne soulevez jamais la pompe par ses raccords d'aspiration/de refoulement.

Installation

- Assurez-vous que le modèle/la configuration de la pompe sont corrects avant l'installation.
- Installez la pompe à un endroit bien ventilé et à l'écart de sources de chaleur. Laissez un espace suffisant à l'arrière du capot du ventilateur du moteur de manière à ne pas obstruer l'admission d'air.
- Le positionnement de la pompe doit permettre un accès rapide pour toutes les opérations de maintenance.
- Les pompes sont testées avec de l'eau au moment de l'assemblage. Rincez la pompe avec un liquide compatible avant l'installation.
- Protégez la pompe des dommages externes et ne l'utilisez pas comme support du système de pompage. Assurez-vous que les composants du système sont munis de supports adéquats et qu'ils n'exercent pas de tension sur les pièces de la pompe.

UTILISATION DE LA POMPE

AVERTISSEMENT!

- La température maximale à la surface dépend des conditions de fonctionnement du moteur et de la pompe, ainsi que de la friction du tuyau flexible. Ne dépassez pas les limites de température maximales. Consultez le manuel d'instructions pour connaître les limites de température maximales.
- Une pression élevée peut provoquer des blessures corporelles, voire la mort, ainsi que des dommages à la pompe ou aux biens.
- Assurez-vous que les tuyaux de raccordement et autres composants sont en mesure de supporter les pressions de fluide développées par cette pompe.



POMPES PÉRISTALTIQUES

Informations de sécurité du produit

- Ne dépassez pas la pression matérielle maximale d'un quelconque composant du système.
- Ne procédez pas à l'entretien ou au nettoyage de la pompe et des tuyaux flexibles pendant le fonctionnement de la pompe.
- Au cours du remplacement des tuyaux flexibles, ces derniers peuvent sortir du carter de la pompe de manière très rapide et entraîner des blessures. Par conséquent, aucun membre du personnel ne doit se placer du côté aspiration/refoulement de la pompe lors de cette opération.
- Une fuite de fluide peut résulter d'un dommage au niveau de la pompe provoqué par un montage incorrect ou des contraintes sur les conduits et une détérioration externe. Des niveaux insuffisants de lubrifiant dans la pompe peuvent générer une température à la surface supérieure à la limite de température recommandée pour la pompe. Consultez le manuel d'instructions pour connaître les exigences en matière de lubrification.
- Assurez-vous que tous les opérateurs de la pompe ont été formés aux pratiques de travail sûres, comprennent les limites de la pompe et portent les équipements de protection personnelle appropriés (pour les yeux, les oreilles, etc.).

ATTENTION!

- Ne démarrez pas la pompe sans avoir auparavant installé le capot avant.
- Les raccords d'aspiration et de refoulement doivent être compatibles avec la substance pompée.
- Évitez tout dommage inutile au niveau de la pompe. Ne la faites pas fonctionner lorsqu'elle ne contient aucun produit pendant des périodes prolongées.
- Déconnectez le cordon d'alimentation de la pompe lorsque le système de pompage reste inactif pendant de longues périodes.
- Vérifiez la compatibilité chimique des tuyaux flexibles et du matériau d'insertion avec la substance pompée. La compatibilité chimique peut varier en fonction de la température et de la concentration du ou des produits chimiques contenus dans les substances pompées. Pour connaître la compatibilité chimique d'un liquide précis, consultez le fabricant du produit chimique.

Utilisation

AVERTISSEMENT!

- Assurez-vous que toutes les protections (capot, regard, capot du ventilateur et protection du couplage) sont en place avant de faire fonctionner la pompe.
- Commencez à faire fonctionner la pompe uniquement après une vérification minutieuse des connexions mécaniques et électriques.
- La durée de vie des tuyaux flexibles/la prévention des pertes de liquide ne sont pas garanties par ALBIN PUMP. Il incombe à l'utilisateur d'installer des détecteurs de perte de liquide.
- La rupture d'un tuyau flexible peut entraîner le remplissage du corps de la pompe par le produit pompé, ainsi que la fuite du produit hors de la pompe. Un détecteur de fuite et une vanne d'arrêt automatique sont recommandés pour éviter de telles situations.
- Étant volumétrique, la pompe peut entraîner une hausse de la pression, même par le biais d'un blocage partiel de la conduite de refoulement. Assurez-vous que toutes les protections sont en place afin d'éviter tout blocage de cette conduite.
- SURPRESSION. Une expansion thermique va se produire lorsque les fluides contenus dans les rangées de matériaux sont exposés à des températures élevées, ce qui provoquera une rupture du système. Installer une soupape de décharge dans le système de pompage.
- MATERIAUX DANGEREUX. Peut provoquer des lésions corporelles ou des dommages matériels graves. Ne pas tenter de renvoyer une pompe à l'usine ou au centre de service si elle contient des matières dangereuses. Les pratiques de manipulation sans danger doivent se conformer aux réglementations locales et nationales et aux modalités de code de sécurité.

AVIS : Se référer au manuel d'utilisation pour les informations de sécurité spécifiques pompe & modèle.



POMPES PÉRISTALTIQUES

Informations de sécurité du produit

IDENTIFICATION DES SYMBOLES DE SÉCURITÉ



Surface
Brûlante



Ne pas frotter, matière
électrostatique
Risque d'explosion



Risque
D'écrasement



Équipement
ATEX



Lire manuels fournis
avec le produit

EXPLICATION DES TERMES RELATIFS AUX SYMBOLES DE SÉCURITÉ

DANGER! Signale une situation de danger potentiel qui, si elle n'est pas évitée, pourrait entraîner la mort ou des blessures graves.

AVERTISSEMENT! Signale une situation de danger potentiel qui, si elle n'est pas évitée, pourrait entraîner la mort ou des blessures graves.

ATTENTION! Signale une situation de danger potentiel qui, si elle n'est pas évitée, peut provoquer des blessures mineures ou modérées ou des dommages matériels.

AVIS! Signale une information ou une règle de l'entreprise en rapport direct ou indirect avec la sécurité du personnel ou avec la protection des biens.

INFORMATIONS CONCERNANT LES PIÈCES DU PRODUIT

ATTENTION!

L'utilisation de pièces de rechange autres que les pièces d'origine ALBIN PUMP peut causer des risques d'insécurité, réduire les performances de l'équipement et augmenter la maintenance, et peut annuler toutes les garanties.

Les réparations ne doivent être effectuées que par des réparateurs qualifiés autorisés. Consultez votre Centre de Service ALBIN PUMP le plus proche.

Ce manuel a été initialement rédigé en anglais.

Les manuels peuvent être téléchargés à l'adresse www.albinpump.com

Adressez toutes vos communications à ALBIN PUMP ou au distributeur le plus proche.



POMPE PERISTALTICHE

Informazioni sulla sicurezza del prodotto

DESCRIZIONE DEL PRODOTTO

La pompa peristaltica è una pompa rotativa volumetrica azionata da un motore elettrico e contenente un tubo flessibile che viene compresso meccanicamente per ottenere l'azione di pompaggio. Queste pompe possono pompare prodotti aggressivi quindi, prima dell'utilizzo, è necessario verificare la compatibilità del tubo flessibile con il prodotto pompato. Qualsiasi uso improprio potrebbe provocare danni all'apparecchiatura e/o conseguenze fatali o lesioni gravi.

INFORMAZIONI GENERALI SULLA SICUREZZA DEL PRODOTTO

AVVERTIMENTO!

- Prima di azionare pompa, leggere i manuali forniti a corredo.
- Leggere tutta la documentazione fornita a corredo del prodotto.
- Per qualsiasi dubbio riguardo alle istruzioni di installazione, azionamento, ispezione e manutenzione, contattare ALBIN PUMP o il distributore autorizzato più vicino.
- Non buttare i manuali. Tenere i manuali a portata di mano del personale.
- Le operazioni di installazione, azionamento, ispezione e manutenzione di questo prodotto devono essere sempre conformi alle specifiche e alle norme vigenti (locali, regionali, nazionali, federali, ecc.).
- Indossare sempre occhiali di protezione quando si utilizza la pompa o si eseguono su di essa operazioni di manutenzione.
- Indossare sempre delle cuffie durante l'utilizzo della pompa.
- Gli operatori devono sempre indossare protezioni personali adeguate alla pompa in uso e al materiale da lavorare. Può essere necessario indossare maschere antipolvere o altri dispositivi di protezione delle vie aeree, occhiali di sicurezza, tute, scarpe antinfortunistiche, caschi ed equipaggiamento di tipo diverso.
- Non manomettere la pompa, né i relativi dispositivi di sicurezza o accessori.
- Usare gli accessori raccomandati da ALBIN PUMP.

Trasporto e stoccaggio

- Conservare in un luogo asciutto. Non rimuovere il prodotto dall'imballaggio / dalla cassa quando in deposito.
- Non lasciar cadere né danneggiare l'imballaggio/la cassa. Maneggiare con cura.

POMPE PERISTALTICHE UTILIZZATE IN ATMOSFERE POTENZIALMENTE ESPLOSIVE (ATEX)

La Dichiarazione di Conformità contenuta nel Manuale di istruzioni dichiara che questi modelli di pompe sono conformi alla Direttiva della Comunità Europea 2014/34/EC per le attrezzature da usare in atmosfere potenzialmente esplosive, detta comunemente la Direttiva ATEX. Fare riferimento alle etichette sul prodotto, poste vicino o sulla targhetta dati (nome), per una definizione ATEX specifica. I prodotti che non sono contrassegnati in questo modo, non sono adatti per l'uso in un'atmosfera potenzialmente esplosiva (ATEX). Fare riferimento al Manuale di istruzioni per ulteriori descrizioni del modello.

CONDIZIONI SPECIALI PER LE POMPE IN ATMOSFERE POTENZIALMENTE ESPLOSIVE (ATEX)

AVVERTIMENTO!

- La mancata conformità anche a solo una delle presenti "Condizioni speciali" può determinare fenomeni di combustione in atmosfere potenzialmente esplosive.
- Solo i modelli di pompa che sono conformi alla direttiva "ATEX dell'Unione Europea possono essere utilizzati in atmosfere potenzialmente esplosive.
- Alcune polveri potrebbero infiammarsi ai limiti di temperatura della superficie della pompa. Assicurare una pulizia appropriata per impedire l'accumulo di polvere sulla pompa.
- Le scintille statiche possono causare esplosioni con conseguenti lesioni gravi o morte. Collegare a terra la pompa e il sistema di pompaggio. Consultare codici di costruzione ed energia elettrica locale, regionali e nazionali. Le scintille statiche possono infiammare materiali infiammabili e vapori.
- La pompa e le connessioni di aspirazione e di scarico devono essere collegati a terra se usati in luoghi in cui l'atmosfera circostante è favorevole all'autocombustione.
- Usare il capocorda di messa a terra sul telaio della pompa o sull'alloggiamento per il collegamento a una buona linea di terra.
- Una volta effettuata la messa a terra, verificare periodicamente la continuità del percorso elettrico di terra. Controllare con un ohmmetro la continuità del collegamento a terra di ciascun componente (ad esempio, flessibili, pompa, morsetti, contenitore, ecc.) per assicurare la continuità.
- Tenere i liquidi infiammabili lontano da calore, fiamme e scintille.
- Se vengono rilevate temperature elevate o livelli di vibrazione elevati, spegnere la pompa e interromperne l'utilizzo finché non potrà essere ispezionata e/o riparata.
- Non eseguire operazioni di manutenzione o riparazione in atmosfere a rischio di esplosione.
- Le perdite di liquido possono provocare potenziali rischi di esplosione.
- La rottura dei tubi flessibili può causare perdita di liquido e creare atmosfere potenzialmente esplosive.



POMPE PERISTALTICHE

Informazioni sulla sicurezza del prodotto

MESSA IN SERVIZIO DELLA POMPA

AVVERTIMENTO!

- L'installazione elettrica deve essere eseguita da elettricisti qualificati.
- Effettuare la procedura di lockout/tagout sull'alimentazione elettrica principale per evitare che l'alimentazione elettrica venga attivata accidentalmente sulla pompa durante l'installazione/manutenzione.
- Il proprietario/appaltatore elettrico deve dimensionare i cavi di alimentazione in modo che il circuito sia bilanciato e non sovraccaricato da altri dispositivi elettrici.
- Collegare la pompa solo ai sistemi elettrici che sono compatibili con le caratteristiche elettriche e che rientrano nella capacità elettrica nominale. Non collegare a una fonte di alimentazione elettrica con voltaggio e/o frequenza errati.
- Installare un sezionatore sulla linea in entrata. La pompa non è dotata di alcun dispositivo di sezionamento elettrico. Il proprietario è responsabile della progettazione e installazione del dispositivo di sezionamento e delle protezioni da sovrantensione, cortocircuito e sovraccarico.
- Per il funzionamento/la manutenzione della pompa è necessario verificare che la pompa sia arrestata e l'alimentazione elettrica scollegata.
- Il sistema di avviamento del motore deve essere dotato di un invertitore di direzione, di un pulsante di avvio/arresto e di un pulsante di arresto di emergenza (insieme alla pompa), in modo che la pompa possa essere utilizzata in totale sicurezza.
- Verificare sempre che la tensione sulla targhetta dati della pompa corrisponda alla tensione di installazione prima di collegare la pompa a una presa muro o a una fonte di alimentazione elettrica. Se non si è sicuri, far eseguire l'installazione e l'ispezione della pompa da un elettricista abilitato.
- Per ridurre il rischio di scosse elettriche prima della manutenzione, della riparazione o dello spostamento, scollegare sempre l'alimentazione della pompa.
- Assicurare la presenza di una messa a terra adeguata, spazio sufficiente ed elementi di arresto della tensione per tutti i componenti elettrici.
- Controllare i collegamenti di messa a terra dopo l'installazione iniziale e in seguito periodicamente per verificare che vengano mantenuti un buon contatto e una buona continuità.

Manipolazione

ATTENZIONE!

Osservare le seguenti istruzioni per sollevare la pompa:

- Sollevare l'intera pompa servendosi dei fori/anelli di sollevamento oltre a un supporto aggiuntivo sulla scatola ingranaggi e sul motore utilizzando imbracature o fascette di fissaggio adeguate.
- Utilizzare sempre attrezzature di sollevamento di capacità appropriata. Non superare mai i limiti massimi delle attrezzature di sollevamento.
- La pompa tenderà a inclinarsi verso il corpo pompa a causa del proprio baricentro. Assicurarsi che il personale si trovi a una distanza di sicurezza dalla pompa per evitare qualsiasi rischio durante il sollevamento.
- Non sollevare mai la pompa servendosi delle connessioni di aspirazione e di scarico.

Installazione

- Verificare che il modello e la configurazione della pompa siano corretti prima dell'installazione.
- Installare la pompa in un'area opportunamente ventilata lontana da fonti di calore. Prevedere uno spazio sufficiente dietro al vano della ventola del motore in modo da non ostruire l'aspirazione dell'aria.
- La posizione della pompa deve consentire un facile accesso a tutte le operazioni di manutenzione.
- Le pompe sono testate in acqua durante il montaggio. Prima dell'installazione, sciacquare la pompa con un liquido compatibile.
- Proteggere la pompa da eventuali danni e non usarla per il supporto strutturale del sistema di tubazioni. Accertarsi che i componenti del sistema siano supportati correttamente in modo da evitare sollecitazioni sulle parti della pompa.

UTILIZZO DELLA POMPA

AVVERTIMENTO!

- La temperatura massima di superficie dipende dalle condizioni di esercizio del motore e della pompa e dall'attrito del tubo flessibile. Non superare i limiti massimi di temperatura. Fare riferimento al Manuale di istruzioni per i limiti massimi di temperatura.
- L'alta pressione può provocare gravi infortuni, morte, danni alla pompa o danni materiali.
- Assicurarsi che i tubi flessibili di collegamento e altri componenti delle tubazioni possano sostenere le pressioni prodotte dalla pompa.
- Non superare la pressione massima di materiale di qualsiasi componente del sistema.
- Non eseguire interventi di manutenzione o pulizia sulla pompa o sui tubi flessibili quando la pompa è in funzione.
- Durante la sostituzione del tubo flessibile, questo può fuoriuscire dal corpo pompa molto rapidamente e provocare lesioni. Nessuno degli addetti si deve trovare davanti al lato di aspirazione/scarico della pompa durante la sostituzione del tubo flessibile.
- I danni alla pompa provocate da un errato montaggio o da stress alle tubazioni e danni esterni possono causare perdita di liquido.
- Livelli di lubrificante insufficienti all'interno della pompa possono generare temperature di superficie superiori al limite di temperatura consigliato della pompa. Per le specifiche dei lubrificanti fare riferimento al Manuale di istruzioni.
- Accertarsi che tutti gli operatori della pompa siano stati addestrati all'impiego di tecniche di lavoro sicure, conoscano le limitazioni della pompa e indossino occhiali, cuffie e altri dispositivi di protezione individuale quando necessario.



POMPE PERISTALTICHE

Informazioni sulla sicurezza del prodotto

ATTENZIONE!

- Non avviare la pompa senza aver prima installato e fissato il coperchio anteriore.
- I collegamenti di aspirazione e scarico devono essere compatibili con la sostanza da pompare.
- Evitare danni non necessari alla pompa. Non far funzionare la pompa quando per lunghi periodi di tempo non vi è stato contenuto del prodotto.
- Scollegare l'alimentazione elettrica della pompa quando il sistema rimane fermo per lunghi periodi.
- Verificare la compatibilità chimica tra i materiali del tubo flessibile e degli inserti con la sostanza da pompare. La compatibilità chimica può variare con la temperatura e la concentrazione della/e sostanza/e chimica/e contenuta/e nei prodotti pompati. Per conoscere la compatibilità dei singoli liquidi rivolgersi al produttore dell'agente chimico.

Funzionamento

AVVERTIMENTO!

- Assicurarsi che tutte le protezioni (coperchio, finestrella, vano della ventola e protezione di accoppiamento) siano in posizione prima di utilizzare la pompa.
- Iniziare a utilizzare la pompa solo dopo aver verificato accuratamente tutti i collegamenti elettrici e meccanici.
- ALBIN PUMP non garantisce la durata del tubo flessibile né la prevenzione delle perdite di liquido/prodotto. È responsabilità del produttore installare rilevatori delle perdite di liquido.
- La rottura del tubo flessibile può provocare il riempimento dell'alloggiamento della pompa con il prodotto pompato e fuoriuscite di prodotto dalla pompa. Per evitare il verificarsi di tali eventi, si consiglia di utilizzare un rilevatore delle perdite e una valvola a interruzione automatica.
- La pompa, essendo volumetrica, può generare pressioni elevate anche con l'ostruzione parziale della linea di scarico. Assicurarsi che le protezioni siano in posizione per prevenire eventuali ostruzioni della linea di scarico. Per le indicazioni fare riferimento al Manuale di istruzioni.
- Eccessiva pressione materiale: dilatazione termica può verificarsi quando il fluido nelle linee materiale è esposto a temperature elevate e può causare la rottura del sistema. Installare una valvola di sovrappressione nel sistema di pompaggio.
- Materiali pericolosi. Possono causare gravi lesioni o danni a proprietà. Non inviare la pompa contenente prodotti pericolosi ad una fabbrica o ad un centro assistenza. Ogni maneggiamento deve essere effettuato in conformità alle leggi locali e nazionali ed ai codici di sicurezza.

AVVISO: Fare riferimento al manuale di istruzioni per pompa & modello informazioni specifiche di sicurezza.



POMPE PERISTALTICHE

Informazioni sulla sicurezza del prodotto

IDENTIFICAZIONE DEI SEGNALI DI SICUREZZA



Superficie
Calda



Scintilla Statica
Rischio di Esplosione



Rischio di
Pizzicamento



ATEX Attrezza-
tura



Leggi Manuali in
Dotazione
con Prodotto

SPIEGAZIONE DEI TERMINI RELATIVI AI SEGNALI DI SICUREZZA

PERICOLO! Avverte della presenza di una situazione di pericolosità imminente che, se non evitata, può provocare il ferimento o, addirittura, la morte delle persone coinvolte.

AVVERTIMENTO! Avverte della presenza di una situazione potenzialmente pericolosa che, se non evitata, può provocare il ferimento o, addirittura, la morte delle persone coinvolte.

ATTENZIONE! Avverte della presenza di una situazione potenzialmente pericolosa che, se non evitata, può provocare ferimenti di entità lieve o moderata alle persone o danni alle cose.

AVVISO! Questa dicitura richiama l'attenzione su informazioni o politiche aziendali che concernono, direttamente o indirettamente, la sicurezza del personale o la protezione dei beni.

INFORMAZIONI SUI COMPONENTI DEL PRODOTTO

ATTENZIONE!

L'uso di ricambi non originali ALBIN PUMP potrebbe causare condizioni di pericolosità, compromettere le prestazioni della pompa ed aumentare la necessità di manutenzione, inoltre potrebbe invalidare tutte le garanzie.

Le riparazioni devono essere effettuate soltanto da personale autorizzato e qualificato. Rivolgersi al più vicino centro di assistenza tecnica ALBIN PUMP.

La lingua originale di questo manuale è l'inglese.

I manuali possono essere scaricati da internet al sito www.albinpump.com

Indirizzare tutte le comunicazioni al più vicino concessionario od ufficio ALBIN PUMP.



PERISTALTISCHE SCHLAUCHPUMPEN

Hinweise zur Produktsicherheit

PRODUKTBESCHREIBUNG

Bei der peristaltischen Schlauchpumpe handelt es sich um eine Umlaufpumpe mit positiver Verdrängung, Elektroantrieb und einem Schlauch, der zum Pumpen fortlaufend mechanisch komprimiert wird. Mit diesen Pumpen werden Substanzen gepumpt, deren Kompatibilität mit dem Schlauch vor dem Betrieb abzuklären ist. Jede andere Verwendung kann zu Schäden an der Ausrüstung und/oder ernsthaften Verletzungen mit Todesfolge führen.

ALLGEMEINE PRODUKTSICHERHEITSINFORMATIONEN

WARNUNG!

- Die Pumpe erst betreiben, wenn Sie die beiliegenden Handbücher gelesen haben.
 - Lesen Sie die gesamte Dokumentation, die mit der Pumpe geliefert wurde.
 - Wenden Sie sich bei Fragen zu Installations-, Betriebs-, Prüfungs- und Wartungsanweisungen an ALBIN PUMP oder einen Vertragshändler in Ihrer Nähe.
 - Werfen Sie die Handbücher nicht weg. Die Handbücher müssen dem Personal immer zur Verfügung stehen.
- Installieren, betreiben, inspizieren und warten Sie dieses Produkt immer in Übereinstimmung mit allen zutreffenden Normen und Vorschriften (kommunal, landesspezifisch, staatlich usw.)
- Tragen Sie immer einen Augenschutz, wenn Sie diese Pumpe betreiben oder Wartungsarbeiten an ihr durchführen.
- Tragen Sie immer einen Gehörschutz, wenn Sie diese Pumpe betreiben.
- Verwenden Sie immer persönliche Schutzausrüstung, die der Pumpe und den bearbeiteten Materialien entspricht. Hierzu können eine Staubmaske oder eine Atemschutzgerät, eine Schutzbrille, Ohrstöpsel, Handschuhe, eine Schürze, Sicherheitsschuhe, eine Schutzhelm oder andere Ausrüstung gehören.
- Manipulieren Sie die Pumpe, die Sicherheitsvorrichtungen oder das Zubehör nicht.
- Verwenden Sie von ALBIN PUMP empfohlenes Zubehör.

Transport und Lagerung

- Trocken lagern. Nehmen Sie während der Lagerung das Produkt nicht aus der Kiste und entfernen Sie die Verpackung nicht.
- Kiste/Verpackung nicht fallen lassen oder beschädigen. Mit Vorsicht handhaben.

IN POTENZIELL EXPLOSIVEN UMGEBUNGEN (ATEX) VERWENDETE PERISTALTISCHE SCHLAUCHPUMPEN

Die Erklärung bezüglich der Einhaltung der EU-Vorschriften im Handbuch stellt fest, dass einige dieser Pumpenmodelle die EU-Vorschrift 2014/34/EC für Geräte Einsatz in potenziell explosiven Umgebungsbedingungen (ATEX-Direktive) erfüllen. Die genaue ATEX-Einstufung finden Sie auf einem Produktetikett in der Nähe des Typenschildes oder auf dem Typenschild. Produkte, die nicht entsprechend gekennzeichnet sind, eignen sich nicht für die Verwendung in potenziell explosiven Umgebungen (ATEX). Weitere Modellbeschreibungen finden Sie im Handbuch.

BESONDERE BESTIMMUNGEN FÜR IN POTENZIELL EXPLOSIVEN UMGEBUNGEN (ATEX) VERWENDETE PERISTALTISCHE SCHLAUCHPUMPEN

WARNUNG!

- Die Nichteinhaltung einer dieser „speziellen Bedingungen“ kann in potenziell explosiven Umgebungen zur Explosion führen.
- Nur unter die EU-ATEX-Richtlinie fallende Pumpenmodelle können in potenziell explosionsgefährdeten Bereichen eingesetzt werden.
- In einigen Fällen kann die Höchsttemperatur auf der Pumpenoberfläche Staubzündungen auslösen. Sorgen Sie für eine stets saubere und staubfreie Umgebung.
- Statische Funkenbildung kann Explosionen verursachen und zu schweren Verletzungen bis hin zu Todesfällen führen. Pumpenendring und Pumpensystem.
- Funken können entflammbares Material und Dämpfe entzünden. Wenden Sie lokale, regionale und nationale Gebäude- und Stromdirektiven an.
- Die Pumpe und ihre Ansaug- und Auslassanschlüsse müssen in Umgebungen, in der es aufgrund der Umgebungsluft zu spontaner Flammenbildung kommen könnte, geerdet sein.
- Verwenden Sie den Erdungsanschluss am Rahmen oder Gehäuse der Pumpe und verbinden Sie ihn mit einer guten Erdungsquelle.
- Nach dem Erden ist die Leitfähigkeit des elektrischen Pfades zur Erde regelmäßig zu überprüfen. Testen Sie mit einem Ohmmeter die Verbindung von den einzelnen Komponenten (z. B. Schläuchen, Pumpen, Klemmen, Behältern usw.) zur Erde, um sicherzustellen, dass diese abgeleitet werden.
- Entflammbare Flüssigkeiten von Hitze, offenem Feuer und Funken fernhalten.
- Wenn überhöhte Temperaturen oder Vibrationen festgestellt werden, ist die Pumpe auszuschalten und ihr Betrieb zu unterbrechen, bis sie gewartet und/oder repariert wurde.
- Führen Sie keine Wartungs- oder Reparaturarbeiten in Bereichen mit explosiven Umgebungsbedingungen aus.
- Ausgetretene Flüssigkeit kann zu Explosionsgefahr führen.
- Wenn der Schlauch reißt, kann Flüssigkeit austreten und es kann eine potenziell explosive Umgebung entstehen.



PERISTALTISCHE SCHLAUCHPUMPEN

Hinweise zur Produktsicherheit

BEI INBETRIEBNAHME DER PUMPE

WARNUNG!

- Stellen Sie sicher, dass die Elektroinstallation durch einen qualifizierten Elektriker durchgeführt wird.
- Trennen und kennzeichnen Sie den Netzanschluss, um zu verhindern, dass die Pumpe während der Installation oder Wartung mit Strom versorgt wird.
- Der Eigentümer/das Elektrounternehmen muss die Versorgungskabel so dimensionieren, dass der Stromkreis ausgeglichen ist und keine Überlastung durch andere elektrische Verbraucher entsteht.
- Verbinden Sie die Pumpe nur mit elektrischen Systemen, deren elektrische Eigenschaften mit der Maschine übereinstimmen und die sich innerhalb der Nennkapazität befinden. Schließen Sie die Pumpe nicht an ein Stromnetz mit abweichender Spannung und/oder Frequenz an.
- Versehen Sie die eingehende Netzanschlussleitung mit einer Trennvorrichtung. Die Pumpe verfügt über keinen Netzschalter. Der Eigentümer ist verantwortlich für die Auswahl und den Einbau der Trennvorrichtung sowie eines geeigneten Schutzes gegen Spannungsspitzen, Kurzschluss und Überlastung.
- Bei Bedien- oder Wartungsarbeiten an der Pumpe muss die Pumpe angehalten und vom Stromnetz getrennt werden.
- Das Startsystem des Motors sollte über einen Richtungswandler, einen Ein-Aus-Schalter und einen Not-Aus-Schalter (der auch die Pumpe ausschaltet) verfügen, sodass die Pumpe absolut sicher betrieben werden kann.
- Stellen Sie immer sicher, dass die auf dem Typenschild der Pumpe angegebene Spannung mit der Installationsspannung übereinstimmt, bevor Sie die Pumpe an eine Steckdose oder andere Stromversorgung anschließen. Lassen Sie die Pumpe im Zweifelsfall von einem geprüften Elektriker prüfen und installieren.
- Um die Gefahr eines elektrischen Schlags vor Wartungen, Reparaturen oder dem Transport der Pumpe zu verringern, trennen Sie die Pumpe immer von der Stromversorgung.
- Sorgen Sie für geeignete Erdung, ausreichenden Abstand und Überspannungsableiter für alle elektrischen Komponenten.
- Überprüfen Sie die Erdungsverbindungen nach der Erstinstallation sowie nachfolgend in regelmäßigen Abständen, um sicherzustellen, dass Kontakt und Weiterleitung intakt sind.

Handhabung

VORSICHT!

Befolgen Sie beim Hochheben der Pumpe folgende Anweisungen:

- Heben Sie die Pumpe vollständig an den Hebe Griffen / -ringen hoch. Sorgen Sie am Getriebe und am Motor für zusätzliche Sicherungen in Form von geeigneten Riemen oder Gurten.
- Verwenden Sie nur Hebevorrichtungen mit entsprechender Kapazität. Halten Sie immer die Grenzwerte von Hebevorrichtungen ein.
- Die Pumpe neigt sich aufgrund ihres Schwerpunkts häufig zum Pumpengehäuse hin. Stellen Sie sicher, dass das Personal einen ausreichenden Sicherheitsabstand von der Pumpe einhält, um jegliches Verletzungsrisiko beim Heben auszuschließen.
- Heben Sie die Pumpe nie an den Saug-/Auslassanschlüssen an.

Installation

- Prüfen Sie vor der Montage das Pumpenmodell und seine Konfiguration auf Korrektheit.
- Installieren Sie die Pumpe in einem gut belüfteten Bereich mit ausreichendem Abstand zu Wärmequellen. Planen Sie hinter der Motorbelüftungshaube genügend Platz ein, damit der Luftenlass ausreichend belüftet ist.
- Die Pumpe sollte so aufgestellt werden, dass Wartungen stets problemlos möglich sind.
- Die Pumpen werden bei der Montage im Wasser getestet. Spülen Sie die Pumpe vor der Montage mit einer auf sie abgestimmten Flüssigkeit durch.
- Schützen Sie die Pumpe vor externen Schäden und verwenden Sie sie nicht als tragendes Element für das Leitungssystem. Stellen
- Sie sicher, dass die Systembauteile ordnungsgemäß gehalten werden, um mechanische Spannungen an Teilen der Pumpe zu vermeiden.

PUMPE IN BETRIEB

WARNUNG!

- Die maximale Oberflächentemperatur hängt von den Betriebsbedingungen des Motors und der Pumpe sowie der Reibung des Schlauchs ab. Halten Sie die die Temperaturobergrenze ein. Die Temperaturobergrenze entnehmen Sie dem Handbuch.
- Hochdruck kann Verletzungen, Todesfälle, Pumpenschäden oder Sachschäden zur Folge haben.
- Es ist sicherzustellen, dass die Verbindungsschläuche und andere Bauteile des Leitungssystems den von dieser Pumpe erzeugten Materialdrücken standhalten können.
- Der maximale Materialdruck darf bei keiner Systemkomponente überschritten werden.
- Reinigen oder warten Sie die Pumpe und Schläuche nicht, wenn die Pumpe betrieben wird.
- Wenn der Schlauch ausgetauscht wird, kann er sich sehr plötzlich vom Gehäuse lösen und Verletzungen oder Schäden verursachen. Beim Austausch des Schlauchs dürfen sich keine Personen vor der Ansaug- / Auslassvorrichtung der Pumpe befinden.
- Schäden an der Pumpe durch falsche Montage oder Rohrbelastungen und äußere Beschädigungen können zum Austreten von Flüssigkeit führen.



PERISTALTISCHE SCHLAUCHPUMPEN

Hinweise zur Produktsicherheit

- Eine unzureichende Menge an Schmiermittel in der Pumpe kann zu Oberflächentemperaturen führen, die den empfohlenen Temperaturgrenzwert der Pumpe überschreiten. Hinweise zu Schmiermitteln finden Sie im Handbuch.
- Stellen Sie sicher, dass alle Bediener dieser Pumpe hinsichtlich sicherer Arbeitsverfahren geschult sind, die Grenzwerte der Pumpe kennen und die erforderliche Schutzbrille, den Gehörschutz und sonstige Schutzausrüstung tragen.

VORSICHT!

- Nehmen Sie die Pumpe erst in Betrieb, wenn die vordere Abdeckung montiert wurde.
- Ansaug- und Auslassverbindungen müssen mit der zu fördernden Substanz kompatibel sein.
- Vermeiden Sie unnötige Beschädigungen an der Pumpe. Nehmen Sie die Pumpe nicht in Betrieb, wenn sie längere Zeit keine Substanz befördert hat.
- Trennen Sie die Pumpe von der Stromversorgung, wenn sich das System für längere Zeit im Leerlauf befindet.
- Überprüfen Sie die chemische Kompatibilität des Schlauchs und des Auskleidungsmaterials mit der zu pumpenden Substanz. Die chemische Kompatibilität kann sich mit der Temperatur und der Konzentration der Chemikalie(n) in den gepumpten Substanzen ändern. Um Auskünfte zur Kompatibilität von Flüssigkeiten zu bekommen, wenden Sie sich an den Hersteller der chemischen Substanzen.

Betrieb

WARNUNG!

- Stellen Sie vor Betrieb der Pumpe sicher, dass alle Schutzvorrichtungen (Abdeckung, Sichtglas, Belüftungshaube und Kupplungsschutz) vorhanden sind.
- Nehmen Sie die Pumpe erst in Betrieb, wenn alle elektrischen und mechanischen Verbindungen gründlich geprüft wurden.
- ALBIN PUMP übernimmt keine Garantie für die Lebensdauer des Schlauchs und beim Verlust von Flüssigkeiten und anderen Substanzen. Der Einbau einer Anzeige für ausgetretene Flüssigkeit obliegt der Verantwortung des Eigentümers.
- Bei einem gerissenen Schlauch kann sich das Pumpengehäuse mit der beförderten Substanz füllen die Substanz aus der Pumpe austreten. Um dies zu verhindern, wird der Einbau eines Leckdetektors und eines automatischen Abschaltventils empfohlen.
- Da es sich bei der Pumpe um ein volumetrisches Gerät handelt, kann es selbst bei nur teilweiser Blockade der Auslassleitung zu einem hohen Druckaufbau kommen. Stellen Sie sicher, dass geeignete Schutzmaßnahmen getroffen wurden, um eine Blockade der Auslassleitung zu verhindern.
- Exzessiver materialdruck. Wenn Flüssigkeit in Materialleitungen erhöhten Temperaturen ausgesetzt ist, kommt es zu Wärmeausdehnung. Dies führt zu einer Systembeschädigung. Innerhalb des Pumpsystems muss daher ein Druckausgleichsventil installiert werden.
- Gefahrstoffe können zu schwerer Verletzung oder schwerem Sachschaden führen. Eine Pumpe, die Gefahrstoffe enthält, darf nicht an das Werk oder ein Service-Center eingesandt werden. Sichere Handhabungsverfahren müssen den örtlichen und nationalen Gesetzen und Sicherheitsvorschriften entsprechen.

HINWEIS: Modellspezifische Sicherheitsinformationen finden Sie im Handbuch.



PERISTALTISCHE SCHLAUCHPUMPEN

Hinweise zur Produktsicherheit

SICHERHEITS-SYMBOL KENNZEICHNUNG



Heiße Ober-
fläche



Explosionsgefahr
durch Statische
Funkenbildung



Quetschungs-
gefahr



ATEX equipment



Lesen Sie Handbücher
Mit Produkt Geliefert

ERKLÄRUNG DES TEXTES DER SICHERHEITSSIGNALE

GEFAHRI! Weist auf eine bevorstehende Gefährdung hin, die, wenn sie nicht vermieden wird, zu einer Todesfolge oder ernsthaften Verletzungen führt.

WARNUNGI! Weist auf eine mögliche Gefährdung hin, die, wenn sie nicht vermieden wird, zu einer Todesfolge oder ernsthaften Verletzungen führen kann.

VORSICHT! Weist auf eine mögliche Gefährdung hin, die, wenn sie nicht vermieden wird, zu geringfügigen Verletzungen oder Sachschaden führt.

HINWEIS! Weist auf eine Information oder eine Unternehmenspolitik, welche direkt oder indirekt mit der Sicherheit von Personen oder zum Schutz von Sachgütern zusammenhängt.

INFORMATIONEN ZU DEN PRODUKTTEILEN

VORSICHT!

Die Verwendung von nicht original-ALBIN PUMP-Ersatzteilen kann Sicherheitsrisiken, verringerte Standzeit und erhöhten Wanrungsbedarf nach sich ziehen und alle Garantieleistungen ungültig machen.

Reparaturen sollen nur von geschultem Personal durchgeführt werden. Wenden Sie sich an Ihre nächste ALBIN PUMP Niederlassung oder den autorisierten Fachhandel.

Die Originalsprache dieses Handbuchs ist Englisch.

Handbücher können von www.albinpump.com heruntergeladen werden.

Wenden Sie sich bei Rückfragen an Ihre nächste ALBIN PUMP Niederlassung oder den autorisierten Fachhandel.



PERISTALTISCHE SLANGENPOMPEN

Productveiligheidsinformatie

PRODUCTBESCHRIJVING

De peristaltische slangpomp is een roterende positieve verdringerpomp die wordt aangestuurd door middel van een elektrische motor en een slang bevat die keer op keer mechanisch wordt ingedrukt om pompwerking te verkrijgen. Deze pompen worden gebruikt voor het pompen van producten waarvan de compatibiliteit met de slang moet worden nagegaan voor het starten van de activiteiten. Elk ander gebruik kan de installatie beschadigen en/of ernstig letsel of de dood tot gevolg hebben.

ALGEMENE PRODUCTVEILIGHEIDSGEGEVINGEN

WAARSCHUWING!

- Bedien dit product niet alvorens de meegeleverde handleiding(en) te hebben gelezen.
 - Lees alle bij het product meegeleverde documentatie.
 - Neem contact op met ALBIN PUMP of de dichtstbijzijnde distributeur wanneer u twijfels heeft over de aanwijzingen voor de installatie, bediening, inspectie en onderhoud.
 - Gooi de handleidingen niet weg. Zorg dat de handleidingen voor alle medewerkers gemakkelijk bereikbaar zijn.
- Zorg ervoor dat alle installatiewerkzaamheden, bedieningen, keuringen en onderhoudswerkzaamheden aan dit product in overeenstemming zijn met de toepasselijke normen en regels (lokaal, regionaal, landelijk, federaal, enz.).
- Draag altijd oogbescherming tijdens gebruik van deze pomp of wanneer er onderhoud aan wordt uitgevoerd.
- Draag altijd gehoorbescherming tijdens gebruik van deze pomp.
- Draag altijd beschermende kleding en andere beschermingsmiddelen die in overeenstemming zijn met de gebruikte pomp en het te bewerken materiaal. Hiertoe behoren een stofmasker of een ander ademhalingsstoel, een veiligheidsbril, oordoppen, handschoenen, een schort, veiligheidsschoenen, een helm en andere uitrusting.
- Breng geen wijzigingen aan in de pomp, in de veiligheidsvoorzieningen of in de hulpstukken.
- Gebruik uitsluitend de door ALBIN PUMP aanbevolen hulpstukken.

Transport en opslag

- Op een droge plek opslaan. Haal het product tijdens de opslag niet uit de doos/verpakking.
- Zorg dat de doos/verpakking niet valt of wordt beschadigd. Wees voorzichtig.

PERISTALTISCHE SLANGENPOMPEN IN EXPLOSIEGEVOELIGE OMGEVINGEN (ATEX)

In de Conformiteitsverklaring in de instructiehandleiding staat dat enkele pompmodellen conform zijn aan de EU-richtlijn 2014/34/EC voor apparaten bedoeld voor gebruik op plaatsen waar ontploffi ngsgevaar kan heersen, doorgaans aangeduid als de ATEX-richtlijn. Raadpleeg de etiketten op het product die zich bij of op de gegevens- of naamplaatjes bevinden voor de specifieke ATEX-bepaling. Producten zonder deze markering zijn niet geschikt voor gebruik op plaatsen waar ontploffi ngsgevaar kan heersen (ATEX). Raadpleeg de instructiehandleiding voor meer modelbeschrijvingen.

SPECIALE VOORWAARDEN VOOR POMPEN IN EXPLOSIEGEVOELIGE OMGEVINGEN (ATEX)

WAARSCHUWING!

- Als niet strikt de hand wordt gehouden aan deze 'Speciale voorwaarden' kan dat leiden tot ontsteking in een explosiegevoelige omgeving.
- Alleen pompmodellen conform de EU 'ATEX-richtlijn' mogen worden gebruikt in explosiegevoelige omgevingen.
- Bepaalde soorten stof kunnen ontbranden bij de temperatuurlimieten van het pomppoppervlak. Zorg voor een goede schoonmaak om te vermijden dat zich een stof laag vormt op de pomp.
- Statische ontlading kan een explosie veroorzaken met ernstig letsel of zelfs de dood als gevolg. De pomp en het pompsysteem moeten geaard worden. Raadpleeg de lokale, regionale en nationale codes voor het gebouw en elektriciteit.
- Statische ontlading kan brandbaar materiaal en ontvlambare dampen doen ontbranden.
- De pomp en de verbindingen voor aanzuiging en afvoer moeten geaard worden wanneer de omringende atmosfeer bevorderlijk is voor zelfontbranding.
- Gebruik de hechtende verbindingslip op het frame of de behuizing van de pomp voor aansluiting op een goede aardingsbron.
- Controleer na het aarden regelmatig de continuïteit van het elektrische pad naar aarde. Controleer met een ohmmeter de continuïteit van elk onderdeel (bijv. slangen, pomp, klemmen, vat, enz.) naar de aarde.
- Houd ontvlambare vloeistoffen uit de buurt van hitte, open vuur en vonken.
- Indien verhoogde temperaturen of trillingsniveaus worden waargenomen, moet u de pomp uitschakelen en het gebruik ervan stilleggen tot de pomp kan worden geïnspecteerd en/of hersteld.
- Voer geen onderhoud of reparaties uit in een gebied waar ontploffi ngsgevaar heerst.
- Lekkende vloeistoffen en kunnen een potentieel ontploffi ngsgevaar vormen.
- Door het scheuren van de slang kan vloeistof gaan lekken en een potentieel ontploffi ngsgevaar doen ontstaan.



PERISTALTISCHE SLANGENPOMPEN

Productveiligheidsinformatie

BIJ INGEBRUIKNAME VAN DE POMP

WAARSCHUWING!

- Zorg ervoor dat elektrische installatie door een gekwalificeerde monteur wordt uitgevoerd.
- Schakel de hoofdschakelaar uit aan de hand van de lock-out/tagoutprocedure om stroomtoevoer naar de pomp tijdens installatie/ onderhoud te voorkomen.
- De eigenaar/elektricien dient stroomkabels van een gepast formaat te gebruiken om ervoor te zorgen dat het stroomcircuit goed gebalanceerd is en dat er geen overbelasting ontstaat door andere elektrische apparatuur.
- Sluit de pomp alleen aan op elektrische systemen die compatibel zijn met de elektrische eigenschappen ervan en die het nominaal vermogen ervan aankunnen. Sluit de compressor niet aan op een stroomvoorziening met een ongeschikte spanning en/of frequentie.
- Installeer een hoofdonderbrekingschakelaar op de binnenkomende stroomlijn. De pomp is niet voorzien van een elektrische uitschakelvoorziening. De eigenaar is verantwoordelijk voor het ontwerp en de installatie van beveiligingen tegen stroomonderbreking, overspanning, kortsluiting en overbelasting.
- Voor onderhoudswerkzaamheden aan de pomp dient de pomp te worden stopgezet en de stroomvoorziening te worden afgesloten.
- Het startsysteem van de motor dient voorzien te zijn van een omkeerschakeling, een stopknop en een noodstopknop (samen met de pomp), zodanig dat de pomp zeer veilig kan worden bediend.
- Zorg er altijd voor dat de spanning op het gegevensplaatje van de pomp overeenkomt met de spanning van de installatie voordat u de pomp aansluit op een wandcontactdoos of stroomvoorziening. Laat bij twijfel een bevoegde elektricien de pomp inspecteren en installeren.
- Om het risico op elektrische schokken te verminderen, dient u voorafgaand aan onderhoud, reparaties of verplaatsingen altijd de stroom van de pomp uit te schakelen.
- Zorg ervoor dat alle elektrische onderdelen voorzien zijn van geschikte aarding, speling en bliksemafleidingsdraden.
- Controleer de aardverbindingen na de installatie en vervolgens periodiek om ervoor te zorgen dat het aardcontact en de continuïteit intact blijven.

Hantering

OPGELET!

Volg deze instructies wanneer u de pomp heft:

- Hef de volledige pomp met behulp van de hefgaten/-ringen met extra ondersteuning op de tandwielkast en de motor en gebruik daarbij geschikte banden of riemen.
- Gebruik altijd hefapparatuur met de juiste capaciteit. De bovengrenzen van de hefapparatuur mogen nooit worden overschreden.
- Door het zwaartepunt zal de pomp de neiging hebben naar de kant van de pompbehuizing te kantelen. Zorg dat medewerkers zich op een veilige afstand van de pomp bevinden om het risico op letsel te voorkomen wanneer deze wordt geheven.
- De pomp mag nooit aan de verbindingen voor aanzuiging en afvoer worden geheven.

Installatie

- Controleer het model en de configuratie van de pomp voor installatie.
- Installeer de pomp in een goed geventileerde ruimte en uit de buurt van warmtebronnen. Zorg voor voldoende ruimte achter de ventilatorpomp van de motor om de luchtinlaat niet te belemmeren.
- De pomp moet zodanig worden neergezet dat onderdelen eenvoudig toegankelijk zijn voor onderhoud.
- Pompen zijn bij montage getest in water. Spoel de pomp met de juiste vloeistof voor installatie.
- Bescherm de pomp tegen uitwendige schade en gebruik de pomp niet voor structurele steun van het leidingwerk. Zorg ervoor dat de systeemonderdelen goed worden ondersteund om belasting op de pomponderdelen te voorkomen.

BIJ GEBRUIK VAN DE POMP

WAARSCHUWING!

- De maximale oppervlaktetemperatuur is afhankelijk van de bedrijfsomstandigheden van de motor, de pomp en de wrijving van de slang. Zorg ervoor dat de maximale temperatuurlimieten niet worden overschreden. Raadpleeg de instructiehandleiding voor de maximale temperatuurlimieten.
- Hoge druk kan persoonlijk letsel, de dood, schade aan de pomp of schade aan eigendommen veroorzaken.
- Zorg ervoor dat aansluitingen en andere leidingen bestand zijn tegen de vloeistofdruk die door deze pomp wordt ontwikkeld.
- Overschrijd de maximale materiaaldruk van elke afzonderlijke component in het systeem nooit.
- Voer geen onderhoud uit en reinig de pomp en slangen niet terwijl de pomp in bedrijf is.
- Tijdens het vervangen van de slang kan deze heel snel uit de pompbehuizing komen en letsel veroorzaken. Tijdens het vervangen van de slang mogen er zich geen medewerkers voor de aanzuig- en afvoerkant van de pomp bevinden.
- Schade aan de pomp veroorzaakt door een onjuiste montage of door knellende leidingen of externe schade kan resulteren in vloeistoflekage.
- Een te lage hoeveelheid smeermiddel in de pomp kan hogere oppervlaktetemperaturen genereren dan de aanbevolen temperatuurlimiet van de pomp. Raadpleeg de instructiehandleiding voor de smeringsvereisten.
- Zorg ervoor dat alle gebruikers van de pomp zijn opgeleid voor het veilig uitvoeren van de werkzaamheden, dat zij de beperkingen ervan begrijpen en dat zij, wanneer dat is vereist, een geschikte veiligheidsbril, oorbeschermers en andere persoonlijke veiligheidsuitrusting dragen.



PERISTALTISCHE SLANGENPOMPEN

Productveiligheidsinformatie

OPGELET!

- Na/vorens de pomp te starten, moet eerst het frontpaneel worden geïnstalleerd.
- Verbindingen voor aanzuiging en afvoer moeten bestand zijn tegen het materiaal dat wordt verpompt.
- Voorkom onnodige schade aan de pomp. Gebruik de pomp niet als er lange tijd geen materiaal in heeft gezeten.
- Schakel de voedingsspanning naar de pomp uit wanneer het systeem lange tijd niet wordt gebruikt.
- Controleer de chemische compatibiliteit van de slang en het inzetmateriaal met de substantie die wordt verpompt. De chemische compatibiliteit kan veranderen als gevolg van veranderingen in temperatuur en concentratie van de chemische stof(fen) in de substanties die worden verpompt. Neem contact op met de chemicaliënfabrikant voor specifieke vloeistofcompatibiliteit.

Werking

WAARSCHUWING!

- Zorg ervoor dat alle afschermingen (paneel, kijkglas, ventilatorkap en koppelingsbescherming) geplaatst zijn voordat u de pomp in werking stelt.
- Stel de pomp pas in werking nadat alle elektrische en mechanische aansluitingen grondig zijn gecontroleerd.
- De levensduur van de slang of het product en het voorkomen van vloeistofverlies vallen niet onder de garantie van ALBIN PUMP. Het is de verantwoordelijkheid van de eigenaar om detectoren voor vloeistofverlies te installeren.
- Wanneer de slang scheurt, vult de pompbehuizing zich met het gepompte product en lekt er product uit de pomp. Om dergelijke voorvallen te voorkomen, adviseren we het gebruik van een lekzoekapparaat en automatische afsluitklep.
- Omdat de pomp volumetrisch is, kan er zelfs door een gedeeltelijke verstopping van de afvoerleiding hoge druk in ontstaan. Zorg ervoor dat beschermingen geplaatst zijn om eventuele verstopping van de afvoerleiding te voorkomen.
- Overmatige materiaaldruk. Wanneer vloeistof in materiaalleidingen wordt blootgesteld aan hogere temperaturen, treedt uitzetting door warmte op, hetgeen kan leiden tot breuken in de installatie. Plaats een veiligheidsklep in de pompinstallatie.
- Gevaarlijke stoffen. Kunnen ernstig letsel of materiële schade veroorzaken. Zend nooit een pomp terug naar fabriek of servicecentrum waarin zich nog gevaarlijke stoffen bevinden. Het op veilige manier hanteren van dergelijke stoffen moet voldoen aan plaatselijke en nationale wetten en veiligheidsvoorschriften.

OPMERKING : Verwijzen naar de handleiding voor informatie over de specifieke veiligheid pomp & Model.



PERISTALTISCHE SLANGENPOMPEN

Productveiligheidsinformatie

IDENTIFICATIE VAN DE VEILIGHEIDSSYMBOLEN



Heet Oppervlak



Statische Elektriciteit
Explosiegevaar



Gevaar Voor
Beknelling



Atex equipment



Lees de Handleiding
Met Producten

UITLEG VAN DE VEILIGHEIDSAANDUIDINGEN

GEVAAR! Geeft een direct gevaarlijke situatie aan die, indien deze niet wordt voorkomen, ernstig letsel of zelfs de dood als gevolg zal hebben.

WAARSCHUWING! Geeft een mogelijk gevaarlijke situatie aan die, indien deze niet wordt voorkomen, ernstig letsel of zelfs de dood als gevolg zou kunnen hebben.

OPGELET! een mogelijk gevaarlijke situatie aan die, indien deze niet wordt voorkomen, licht of matig letsel of materiële schade als gevolg zou kunnen hebben.

OPGELET! Geeft informatie of bedrijfsbeleid aan dat direct of indirect verband houdt met de veiligheid van het personeel of de bescherming van eigendommen.

INFORMATIE OVER PRODUCTONDERDELEN

OPGELET!

Het gebruiken van andere dan originele ALBIN PUMP onderdelen kan gevaar opleveren voor de veiligheid, en een vermindering met zich brengen van het prestatievermogen van het gereedschap en een toeneming van het onderhoud ervan; het kan een vervallen van alle garantie-bepalingen tot gevolg hebben.

Reparaties mogen uitsluitend worden uitgevoerd door hiertoe gemachtigd en geschoold personeel. Raadpleeg uw dichtstbijzijnde erkende ALBIN PUMP Servicenter.

De oorspronkelijke taal van deze handleiding is Engels.

Handleidingen kunnen worden gedownload vanaf www.albinpump.com

Richt al uw communicatie tot het dichtstbijzijnde ALBIN PUMP Kantoor of Wederverkoper.



PERISTALTISKE SLANGEPUMPER

Produktsikkerhedsinformation

PRODUKTBESKRIVELSE

Peristaltisk slangepumpe er en elektrisk motor med rotationsstempel - fortrængningspumpen indeholder en slange der successivt komprimeres mekanisk for at kunne pumpe. Disse pumper anvendes til at pumpe produkter hvis kompatibilitet med slangen skal kontrolleres inden ibrugtagning. Enhver anden form for anvendelse kan beskadige udstyret og forårsage alvorlig personskade eller død.

GENEREL PRODUKTSIKKERHEDSINFORMATION

ADVARSEL!

- Undlad at anvende udstyret før du har læst de medfølgende manualer.
 - Læs venligst alle produktets medfølgende dokumenter.
 - Kontakt ALBIN PUMP eller den nærmeste distributør vedrørende monterings-, betjenings-, inspektions- og vedligeholdelsesvejledning.
 - Smid ikke vejledningerne tilgængeligt for personalet.
- Dette produkt skal altid installeres, betjenes, undersøges og vedligeholdes i overensstemmelse med alle gældende standarder og bestemmelser (lokale, nationale, europæiske osv.).
- Brug altid beskyttelsesbriller under betjening eller vedligeholdelse af denne pumpe.
- Brug altid høreværn under betjening af denne pumpe.
- Brug altid personligt beskyttelsesudstyr, som er beregnet til den anvendte pumpe og det materiale, der arbejdes med. Dette kan inkludere støvmaske eller andre åndedrætsværn, sikkerhedsbriller, orepropper, handsker, sikkerhedsforklæde, sikkerhedssko, beskyttelseshjelm og andet udstyr.
- Modifier ikke pumpen, sikkerhedsudstyr eller tilbehør.
- Brug tilbehør anbefalet af ALBIN PUMP.

Transport og opbevaring

- Opbevar på et tørt sted. Undlad at tage produktet ud af emballagen under opbevaring.
- Undlad at tabe eller på anden måde beskadige emballagen. Forsigtig.

PERISTALTISKE SLANGEPUMPER, DER ANVENDES I POTENTIELT EKSPLOSIVE ATMOSFÆRER (ATEX)

EF-overensstemmelseserklæringen i brugsanvisningen angiver, at nogle af disse pumper er i overensstemmelse med EU's direktiv 2014/34/EC for udstyr, der er beregnet til brug i potentielt eksplosive atmosfærer, almindeligvis henviser til som ATEXdirektivet. Se venligst mærkat på produktet der er placeret i nærheden af mærkepladen, for specifik ATEX-betegnelse. Produkter der ikke er forsynet med denne mærkat, er derfor ikke egnede til brug i potentielt eksplosive atmosfærer (ATEX). Vi henviser til brugsanvisningen hvor der findes yderligere modelbeskrivelser.

SÆRLIGE BETINGELSER FOR PUMPER, DER ANVENDES I POTENTIELT EKSPLOSIVE ATMOSFÆRER (ATEX)

ADVARSEL!

- Overhold disse "Særlige betingelser" ikke, kunne det resultere i antændelse af eventuelle eksplosive atmosfærer.
- Udelukkende pumpemodeller der er i overensstemmelse med EU's "ATEXdirektiv" må anvendes i potentielt eksplosive atmosfærer.
- Visse støvpartikler kan antændes af temperaturer på pumpens udvendige overflade. Sørg for omhyggelig rengøring for at undgå støvdannelse på pumpen.
- Kan forårsage eksplosion og medføre alvorlig personskade eller død. Pumpe og pumpeystem skal jordes. Gnister kan antænde brændbart materiale og dampe. Høre lokale, regionale & nationale bygning og elektricitet koder.
- Pumpe og sugning uledningsforbindelser skal være jordforbundne når de anvendes på steder hvor omgivelserne er fremmede for selvantændelse.
- Brug den medfølgende stelforbundne styretap på pumpens ramme eller hus til forbindelse til en god jordforbindelseskilde. Efter gennemført jordforbindelse, skal man jævnligt kontrollere jordforbindelsen. Test med et ohmmeter på hver komponent (f.eks. slanger, pumpe, klemmer, beholdere, sprøjtepistol osv.) til jorden for at sikre kontinuiteten.
- Hold brandfarlige væsker væk fra varmekilder, åben ild og gnister.
- Hvis der registreres forhøjede temperaturer eller forhøjede vibrationsniveauer, skal pumpen afbrydes og betjeningen skal standses, indtil den kan undersøges og/eller repareres.
- Udfør ikke vedligeholdelse eller reparationer på et område, hvor der er eksplosive atmosfærer til stede.
- Udsivende væsker kan udgøre en eksplosionsfare.
- En defekt slange kan medføre udsivende væsker og dermed skabe en potentiel eksplosionsfare.



PERISTALTISKE SLANGEPUMPER

Produktsikkerhedsinformation

NÅR PUMPEN TAGES I BRUG

ADVARSEL!

- Kontrollér, at el-installationen er udført af en autoriseret elektriker.
- Lockout/tagout den primære el-forsyning for at forhindre risikoen for strømtilførsel til pumpen under montering eller vedligeholdelse.
- Ejeren/el-entreprenøren skal dimensionere fodekablerne for at sikre, at kredsløbet er afbalanceret og ikke overbelastes af andet elektrisk udstyr.
- Forbind kun pumpen til elektriske systemer som er kompatible med dens elektriske karakteristika og som ligger indenfor dens angivne kapacitet.
- Må ikke forbindes til forkert el-forsyning og/eller frekvens.
- Installér en hovedledningsafbryder på den indgående ledning. Pumpen er ikke udstyret med en el-afbryder. Ejeren er ansvarlig for udformningen og monteringen af afbrydere, overspændings-, kortslutnings-, og overbelastningsbeskyttelse.
- Til alle betjening og vedligeholdelse af pumpen er det nødvendigt at sikre sig, at pumpen er standset og el-forsyningen er afbrudt.
- Motorens startsystem bør udstyres med en retningsvekselretter, start/stop knap og nødstopknap (sammen med pumpen), på en måde så pumpen kan betjenes uden nogen fare.
- Sørg altid for at spændingen på pumpens mærkeplade passer til monteringssspændingen inden du sætter stikket til pumpen i stikkontakten eller tilslutler den til en el-forsyning. Hvis du er usikker så få en autoriseret elektriker til at kontrollere og montere pumpen.
- For at forhindre elektriske stød under vedligeholdelse, reparation eller flytning af pumpen skal du altid sørge for at den ikke er tilsluttet en strømkilde.
- Sørg for, at der er passende underlag, frihøjde og lynafledere til alle elektriske komponenter.
- Efterse jordforbindelsestilslutningerne efter den initiale installation og derefter periodevis for at sikre, at god kontakt og kontinuitet er blevet opretholdt.

Håndtering

FORSIGTIG!

Følg denne vejledning under løft af pumpen:

- Løft hele pumpen ved at bruge løftehullerne/lofteringene plus ekstra støtte på gearkassen og motoren ved hjælp af passende stropper eller slynger til formålet.
- Brug altid løfteudstyr af passende kapacitet. Overskrid aldrig den øvre grænse for løfteudstyr.
- Pumpen har en tendens til at hælede mod den side hvor pumpens hus sidder pga. tyngdepunktet. Sørg for at al personale befinder sig på sikker afstand når pumpen for at undgå fare for personskade under løft af pumpen.
- Brug aldrig pumpens sugnings- eller udlædningsforbindelser til at løfte i.

Montering

- Kontroller pumpens model og opsætning inden montering påbegyndes.
- Monter pumpen på et sted med god ventilation og langt væk fra varmekilder. Sørg for at der er plads bagved motorens ventilatorhjul, således at luftindtaget er uhindret.
- Pumpens placering bør sikre, at der er fri adgang til alle vedligeholdelsesfunktioner.
- Pumpene er blevet testet i vand under samling. Skyl pumpen med en kompatibel væske inden montering påbegyndes.
- Beskyt pumpen mod udvendig skade og brug ikke pumpen til strukturunderstøttelse af rørføringsystemet. Vær sikker på at systemkomponenterne er korrekt understøttede for at forhindre belastning af pumpens dele.

NÅR PUMPEN ER I BRUG

ADVARSEL!

- Maksimum overflådetemperatur afhænger af motorens driftsforhold, pumpen og slangefriktionen. Undlad at overstige de maksimale temperaturgrænserne. Se venligst brugsanvisningen mht. de maksimale temperaturgrænser.
- Højt tryk kan resultere i personskade, død, beskadigelse af pumpe eller ejendom.
- Kontroller at materialeslanger og andre rørføringskomponenter er i stand til at modstå væsketryk der skabes af denne pumpe.
- Undlad at overstige det maksimale tryk for samtlige komponenter i systemet.
- Undlad at servicere eller rengøre pumpe og slanger mens pumpen kører.
- Under udskiftning af slange kan den komme ud af pumpehuset meget hurtigt og forårsage skade. Der må ikke bibe nde sig personer foran pumpens udsugnings eller udlædningside under udskiftning af slangen.
- Skader på pumpen der er forårsaget pga. forkert montering eller rørføring og udvendig skade kan resultere i utætheder.
- Utilstrækkelig smørelse af pumpen kan medføre overflådetemperaturer der overstiger de anbefalede temperaturgrænser for pumpen. Se venligst brugsanvisningen mht. kravene til smørelse.
- Sørg for at alle operatører er blevet undervist i sikre arbejdspraktikker og at de forstår begrænsningerne og bruger påkrævet beskyttelsesudstyr under betjening af pumpen.



PERISTALTISKE SLANGEPUMPER

Produktsikkerhedsinformation

FORSIGTIG!

- Undlad at starte pumpen uden først at have monteret frontdækslet.
- Udsugnings- og udledningsforbindelser skal være kompatible med den substans der pumpes op.
- Undgå unødigt beskadigelse af pumpen. Lad ikke pumpen være i drift, når der er ikke længere findes materiale i lange perioder.
- Afbryd strømforsyningen til pumpen, når systemet ikke anvendes i lange perioder.
- Kontroller den kemiske kompatibilitet med slangen og tilføj materiale med substansen der skal pumpes op. Den kemiske kompatibilitet kan ændres afhængigt af temperaturskift og koncentrationen af kemikalierne i de substanser, der pumpes op. Kontakt producenten for oplysninger om bestemte væskers kompatibilitet.

Betjening

ADVARSEL!

- Sørg for at alt beskyttelsesudstyr (dæksel, skueglas, ventilatorhjul og koblingsbeskytter) er på plads inden pumpen betjenes.
- Start først betjening af pumpen efter alle elektriske og mekaniske forbindelser er blevet omhyggeligt kontrollerede.
- Slangernes eller produktets holdbarhed og væsketab forebyggelse er ikke omfattet af ALBIN PUMP garantien. Det er ejerens eget ansvar at montere væsketabdetektorer.
- Hvis en slange er utæt kan det medføre at pumpehuset bliver fyldt med det oppumpede produkt og udsivning af produktet. Det anbefales at bruge en lækagedetektor og automatisk afbrydventil for at undgå sådanne situationer.
- Pumpen, der er volumetrisk, kan opbygge tryk selv ved delvis blokering af udledningen. Sørg for at der findes beskyttelse til forebyggelse af blokering af udledningen.
- Materialeovertryk. Varmeudvidelse vil forekomme, når væsken i materialslangerne udsættes for forhøjede temperaturer, og vil medføre brud på systemet. Montér en overtryksventil i pumpesystemet.
- Farlige materialer. Kan medføre alvorlige skader eller ejendomsødelæggelse. Indlever ikke en pumpe, der indeholder farligt materiale, til fabrikken eller service centeret. Udførelse af sikkerhedsforanstaltningerne skal være i overensstemmelse med lokale og nationale love og krav om sikkerheds kodeks.

OBS : Henvise til brugervejledning for at pumpe & Model specifi kke sikkerhedsmæssige oplysninger.



PERISTALTISKE SLANGEPUMPER

Produktsikkerhedsinformation

IDENTIFIKATION AF SIKKERHEDSSYMBOL



Varm Flade



Statisk Elektricitet
Eksplodingsfare



Fare for at
Blive Mast



Atex Equipment



Læs Medfølgende
Manualer med
Produkt

FORKLARING PÅ SIKKERHEDSSIGNALORD

FARE! Geeft een direct gevaarlijke situatie aan die, indien deze niet wordt voorkomen, ernstig letsel of zelfs de dood als gevolg zal hebben.

ADVARSEL! Geeft een mogelijk gevaarlijke situatie aan die, indien deze niet wordt voorkomen, ernstig letsel of zelfs de dood als gevolg zou kunnen hebben.

FORSIGTIG! Angiver en potentielt farlig situation, som, hvis den ikke undgås, kan resultere i mindre eller moderat person- eller ejendomsskade.

OBS! Geeft Angiver oplysninger eller en virksomhedspolitik, der direkte eller indirekte vedrører personalets sikkerhed eller beskyttelse af ejendom.

INFORMATION OM PRODUKTDELE

FORSIGTIG!

Brug af reservedele, som ikke er originale ALBIN PUMP produkter, kan resultere i sikkerhedsrisici, forringet værktøjsydelse samt ekstra vedligeholdelse, og kan gøre alle garantier ugyldige.

Reparationsarbejde må kun udføres af autoriseret og korrekt uddannet personale. Kontakt venligst det nærmeste autoriserede ALBIN PUMP servicecenter.

Denne vejlednings originalsprog er engelsk.

Vejledningerne kan hentes ned fra www.albinpump.com

Al korrespondance bedes stilet til ALBIN PUMPs nærmeste kontor eller distributor.



PERISTALTISKA SLANGPUMPAR

Produktsäkerhetsinformation

PRODUKTBESKRIVNING

Den peristaltiska slangpumpen är en roterande pump av förträngningstyp som drivs av en elmotor och innehåller en slang som pumpar med hjälp av successiv mekanisk kompression. Pumparna används för att pumpa produkter vars kompatibilitet med slangen måste verifieras innan operation. All annan användning kan skada utrustningen och/eller orsaka allvarlig personskada eller dödsfall.

ALLMÄN PRODUKTSÄKERHETSINFORMATION

WARNING!

- Använd inte enheten innan du har läst den eller de handböcker som levereras med produkten:
 - Läs all dokumentation som levereras med produkten.
 - Vid frågor om instruktionerna för installation, drift, inspektion och underhåll kontakta ALBIN PUMP eller närmaste återförsäljare.
 - Kasta inte handböckerna. Se till att handböckerna alltid finns nära till hands för personalen.
- Montera, driv, inspektera och underhåll alltid denna produkt i enlighet med alla tillämpliga standardnormer och föreskrifter (lokala, statliga, regionala etc.).
- Använd alltid ögonskydd när du använder eller utför underhåll på den här pumpen.
- Använd alltid hörselskydd när du använder pumpen.
- Använd alltid personlig skyddsutrustning som är lämplig för den pump som används och de material som bearbetas. Detta kan inkludera dammskydd eller någon annan typ av andningsapparat, skyddsglasögon, öronproppar, handskar, förkläde, skyddsskor, skyddshjälm och annan utrustning.
- Modifiera inte pumpen, skyddsutrustningen eller de andra tillbehören.
- Använd tillbehör som rekommenderats av ALBIN PUMP.

Transport och förvaring

- Förvara på en torr plats. Ta inte ut produkten från lådan/förpackningen under förvaringen.
- Var aktsam med att inte tappa eller skada lådan/förpackningen. Hantera försiktigt.

PERISTALTISKA SLANGPUMPAR FÖRBRUK I POTENTIellt EXPLOSIVA OMGIVNINGAR (ATEX)

Försäkran om överensstämmelse i instruktionshandboken förklarar att vissa pumpmodeller uppfyller Europeiska gemenskapens direktiv 2014/34/EC om utrustning och säkerhetssystem som är avsedda för användning i explosionsfarliga omgivningar, allmänt känt som ATEX-direktivet. För den specifika ATEX-beteckningen, sök efter etiketten på produkten, i närheten av eller på databrickan. Produkter som saknar denna märkning är inte lämpliga för användning i en potentiellt explosiv omgivning (ATEX). Läs instruktionshandboken för fler modellbeskrivningar.

SÄRSKILDA VILLKOR FÖR PUMPAR SOM ANVÄNDS I POTENTIellt EXPLOSIVA OMGIVNINGAR (ATEX)

WARNING!

- Om något av dessa "särskilda villkor" inte följs kan det leda till antändning av potentiellt explosiva omgivningar.
- Endast pumpmodeller som uppfyller "ATEX-direktivet" ska användas i potentiellt explosiva omgivningar.
- Visst damm kan antändas om pumpytans värmegräns överskrids. Se till att hålla omgivningen välstädad för att undvika dammansamling på pumpen.
- Statisk gnistbildning kan orsaka en explosion vilket kan leda till allvarlig personskada eller dödsfall. Jorda pumpen och pumpsystemet. Hänvis till brukervejledning för at pumpen & Model specifika säkerhetsmässiga upplysningar.
- Statisk gnistbildning kan antända lättantändliga material och ångor.
- Pumpen och dess sug- och utloppsanslutningar måste vara jordade när de används på en plats där den omgivande luften lätt kan självantändas.
- Använd det förbindningsfäste som finns på pumphuset för att ansluta pumpen till en jordad källa.
- Kontrollera elektricitetens väg till marken med jämna mellanrum. Testa med en motståndsmätare från varje enskild komponent (t.ex. slangar, pump, klämmor, behållare, etc.) till marken för att tillförsäkra kontinuitet.
- Håll lättantändliga vätskor borta från värme, öppna lågor och gnistor.
- Vid höga temperaturer eller ökade vibrationer bör du omedelbart stänga av pumpen och inte använda den förrän den har inspekterats och/eller reparerats.
- Genomför inte underhåll eller reparationer på platser med explosivt atmosfärtryck.
- Läckande vätskor kan ge upphov till explosionsrisk.
- Sprickor i slangen kan leda till vätskeläckage, vilket kan skapa potentiellt explosivt atmosfärtryck.



PERISTALTISKA SLANGPUMPAR

Produktsäkerhetsinformation

NÄR PUMPEN SÄTTS I DRIFT

VARNING!

- Elinstallationer måste utföras av en fackman.
- Stäng av huvudströmmen för att förhindra att pumpen blir strömsatt under installationen.
- Ågaren/elektrikern måste dimensionera matarkablarna för att garantera att kretsen är balanserad och inte överbelastas av annan elektrisk utrustning.
- Pumpen får bara anslutas till elektriska system som är kompatibla med dess elektriska egenskaper och som är inom dess fastställda kapacitet. Anslut inte till el med felaktig spänning och/eller frekvens.
- Installera en fränkopplare på den inkommande ledningen. Pumpen är inte utrustad med en elektrisk fränkopplingsenhet. Ågaren ansvarar för konstruktionen och installationen av bortkopplings-, överspannings-, kortslutnings- och överbelastningsskydd.
- Vid all slags drift och underhåll av pumpen är det nödvändigt att säkerställa att pumpen har stängts av och att huvudströmkällan har slagits av.
- Motorns startsystem bör vara utrustad med en växelriktare, en av-påknapp och en nödstoppsknapp (tillsammans med pumpen) för att säkerställa att pumpen kan användas på ett fullständigt säkert sätt.
- Se alltid till att spänningen på pumpens databricka överensstämmer med den inställda spänningen innan pumpen kopplas in i vägguttaget eller ansluts till någon annan strömkälla. Be en behörig elektriker inspektera och installera din pump om du är osäker.
- För att undvika risk för elstötter innan underhåll, reparation eller flytt av pumpen, se till att alltid koppla ifrån enhetens strömkälla först.
- Se till att det finns lämplig jordning, fritt utrymme och åskavledare för alla elektriska komponenter.
- Kontrollera jordningsanslutningarna efter den första installationen och därefter regelbundet för att säkerställa att bra kontakt och kontinuitet bibehålls.

Hantering

VAR FÖRSIKTIG!

Följ dessa instruktioner vid lyft av pumpen:

- Lyft pumpen i sin helhet med hjälp av lyfthålen/-ringarna och använd lämpliga remmar eller lyftslingar för att ge växelådan och motorn extra stöd.
- Använd alltid lyftanordningar som klarar den angivna tyngden. Överskrid aldrig den övre gränsen för lyftanordningens kapacitet.
- Pumpens tyngdpunkt kommer att få den att luta mot pumphusidan. Säkerställ att all personal befinner sig på ett säkert avstånd från pumpen för att undvika eventuell risk för skada under lyftet.
- Lyft aldrig pumpen vid dess sug-/utloppsanslutningar.

Installation

- Verifiera att pumpens modell/Konfiguration är korrekt före installationen.
- Installera pumpen på en väl ventilerad plats utan värmeållor. Säkerställ att det finns gott om plats bakom motorns fläktluft så att inte luftintaget blockeras.
- Pumpen bör placeras på en plats där den är lätt att komma åt för underhåll.
- Pumparna testas i vatten vid hopmonteringen. Spola en kompatibel vätska över pumpen innan installationen.
- Skydda pumpen från yttre skador och använd den inte för att stödja rörledningssystemet. Säkerställ att systemkomponenterna understöds tillräckligt för att förhindra påfrestningar på olika delar av pumpen.

VID ANVÄNDNING AV PUMPEN

VARNING!

- Hur hög ytemperatur pumpen klarar beror på motorns driftsvillkor samt pumpens och slangens friktion. Överskrid aldrig temperaturbegränsningarna. Läs instruktionshandboken för information om temperaturbegränsningarna.
- Högt tryck kan leda till personskada, dödsfall, skador på pumpen eller annan egendom.
- Säkerställ att inkopplade slangar och andra rörledningskomponenter klarar de vätskestryck som utvecklas inuti pumpen.
- Överskrid inte de högsta rekommenderade materialtrycket för någon enskild komponent i systemet.
- Du ska aldrig serva eller rengöra pumpen eller slangarna medan pumpen är i drift.
- Vid byte av slangar är det möjligt att slangens kommit ut ur pumphuset mycket abrupt vilket kan orsaka skada. Ingen bör stå framför pumpens sug-/utlopp medan slangens byts ut.
- Skador på pumpen som orsakats av felaktig montering, eller påfrestningar på rörledningar och yttre skador kan leda till vätskeläckage.
- Otillräckliga smörjmedelsnivåer inuti pumpen kan leda till högre ytemperatur än pumpens rekommenderade temperaturgräns. Läs instruktionshandboken för information om smörjmedelskrav.
- Säkerställ att alla operatörer av pumpen har utbildats i de fastställda metoderna för säkert arbete, är införstådda med pumpens begränsningar samt bär de skyddsglasögon, hörselskydd och annan personlig skyddsutrustning som erfordras.



PERISTALTISKA SLANGPUMPAR

Produktsäkerhetsinformation

VAR FÖRSIKTIG!

- Starta inte pumpen utan att först ha lagt på det främre locket.
- Sug- och utloppsanslutningarna måste kunna tåla det ämne som ska pumpas.
- Undvik alla onödiga skador på pumpen. Använd inte pumpen när den varit ur bruk under en lång tid.
- Koppla ifrån strömkällan från pumpen när systemen varit ur bruk under en lång tid.
- Säkerställ att slangen och infogningsmaterialen är kemiskt kompatibla med det ämne som ska pumpas. Den kemiska kompatibiliteten kan förändras beroende på temperaturen och den kemiska koncentrationen på de ämnen som ska pumpas. För information om specifik vätskekompatibilitet, fråga en kemikalietyverkare.

Drift

VARNING!

- Säkerställ att alla skydd (lock, tittglas, fl åkthuv och kopplingskydd) är på plats innan pumpen tas i bruk.
- Ta inte pumpen i bruk förrän alla elektriska och mekaniska anslutningar har kontrollerats noggrant.
- ALBIN PUMP garanterar inte slangens förväntade livslängd eller förebyggande av produkt- eller vätskeförlust. Det är ägarens eget ansvar att inmontera vätskeförlustdetektorer.
- Om slangen brister kan det leda till att pumphuset fylls med den inpumpade vätskan och att produkten läcker ut ur pumpen. En läckagedetektor och en automatisk avstängningsventil rekommenderas för att förhindra detta.
- Det faktum att pumpen är volymetrisk kan leda till att höga tryck byggs upp även vid partiella proppar inuti tömningsslangen. Säkerställ att alla skydd är på plats för att förhindra stopp i tömningsslangen.
- Överdrivet materialtryck. När vätskor i ledningarna utsätts för ökade temperaturer uppstår termisk expansion som orsakar att systemet brister. Installera en tryckventil i pumpsystemet.
- Farliga ämnen kan medföra svåra person- eller saksador. En pump, som innehåller farliga ämnen får inte sändas in till fabriken eller något servicecenter. En säker hantering måste ske enligt lokala och nationella lagar och säkerhetsföreskrifter.

OBS : Se bruksanvisningen för Pump & modell speci fi ka säkerhetsinformation



PERISTALTISKA SLANGPUMPAR

Produktsäkerhetsinformation

IDENTIFIERING AV SÄKERHETSSYMBOLER



Het yta



Statisk gnistbildning
Explosionsrisk



Krossningsrisk



Atex Equipment



Läs Medföljande
Manualer
med Product

FÖRKLARING AV SÄKERHETSSIGNALORD

FARE! Indikerar en hotande farlig situation vilken, om den inte undviks, kommer att resultera i dödsfall eller allvarlig personskada.

ADVARSELI! Indikerar en potentiellt farlig situation vilken, om den inte undviks, kan resultera i dödsfall eller allvarlig personskada.

FORSIGTIG! Indikerar en potentiellt farlig situation vilken, om den inte undviks, kan resultera i lätt eller måttlig personskada eller egendomsskada.

OBS! Indikerar information eller företagspolicy som direkt eller indirekt relaterar till säkerhet för personal eller skydd för egendom.

PRODUKTDELSINFORMATION

VAR FÖRSIKTIG!

Om andra reservdelar än de från ALBIN PUMP används, kan detta medföra en säkerhetsrisk, minskad verktygsprestanda och ett ökat servicebehov. Det kan dessutom få till följd att alla garantier blir ogiltiga.

Reparationer får endast utföras av auktoriserad, utbildad personal. Rådfråga närmaste auktoriserade ALBIN PUMP servicecenter.

Det ursprungliga språket för den här handboken är engelska.

Handböcker kan laddas ner från www.albinpump.com

Alla förfrågningar bör ske till närmaste ALBIN PUMP kontor eller distributör.



PERISTALTISKE SLANGEPUMPER

Sikkerhetsinformasjon for produktet

PRODUKTBSKRIVELSE

Peristaltisk slangepumpe er en elektrisk motordrevet roterende fortrenningspumpe som inneholder en slange som komprimeres suksessivt mekanisk for å oppnå pumpevirkning. Disse pumpene brukes for å pumpe produkter hvis kompatibilitet med slangen må bekreftes for bruk. All annen bruk kan føre til skade på utstyr og / eller alvorlig skade eller død.

GENERELL INFORMASJON OM PRODUKTSIKKERHET

ADVARSEL!

- Ikke bruk før du har lest brukerhåndboken som følger med dette produktet.
 - Les all dokumentasjon som leveres med produktet.
 - Ta kontakt med ALBIN PUMP eller nærmeste forhandler dersom du er uvis om instruksjonene angående montering, bruk, inspeksjon og vedlikehold.
 - Ikke kast håndbøker. Hold håndbøkene tilgjengelig for alt personell.
- Alltid installer, driv, inspiser og oppretthold dette produktet i samsvar med alle gjeldende standarder og forskrifter (lokale, nasjonale, osv.)
- Bruk alltid øyevern når du driver eller utfører vedlikehold på denne pumpen.
- Bruk alltid hørselsvern når du bruker denne pumpen.
- Bruk alltid personlig verneutstyr som passer til pumpen som brukes og materialet det arbeides med. Det kan være støvmaske eller andre pusteapparater, vernebriller, øreplugg, hansker, forkle, sikkerhetssko, vernehjelm og annet utstyr.
- Ikke modifiser pumpen, sikkerhetssystemer eller tilbehør.
- Bruk tilbehør som er anbefalt av ALBIN PUMP.

Transport og lagring

- Lagre et tørt sted. Ikke fjern produktet fra esken / emballasjen under lagring.
- Gi ikke slipp på eller skad esken / emballasjen. Håndter med omhu.

PERISTALTISKE SLANGEPUMPER BRUKT I EKSPLOSJONSFARLIGE OMGIVELSER (ATEX)

I konformitetserklæringen i brukerhåndboken står det at noen av pumpemodellene er i samsvar med EF-direktiv 2014/34/EC for utstyr til bruk i eksplosjonsfarlige omgivelser, ofte kalt for ATEX-direktiv. Se merking på produktet, på eller i nærheten av data- eller navneplaten, for nøyaktig ATEX-betegnelse. Produkter som ikke er merket som sådan er ikke egnet for bruk i eksplosjonsfarlige omgivelser (ATEX). Se brukerhåndboken for ytterligere modellbeskrivelser.

SPESIELLE FORHOLD FOR PERISTALTISKE SLANGEPUMPER BRUKT I EKSPLOSJONSFARLIGE OMGIVELSER (ATEX)

ADVARSEL!

- Brudd med noen av disse "spesielle forholdene" kan føre til antenning av eksplosjonsfarlige omgivelser.
- Bare pumpemodeller som overensstemmer med EUs "ATEX-direktiv" bør brukes i eksplosjonsfarlige omgivelser.
- Enkelte typer støv kan antennes ved temperaturgrensene for pumpeoverflaten. Sørg for riktig renhold for å fjerne støv som samler seg på pumpen.
- Statisk gnister kan forårsake eksplosjon og føre til alvorlig personskade eller død. Bakkepumpe og pumpeystem. Ta kontakt med lokale, regionale og nasjonale bygningen og elektrisitet koder.
- Statisk gnister kan antenne brennbar materiale og damper.
- Pumpen og tilkoblingene for innsug / avløp må jordes når pumpen brukes på et sted der omgivelsene kan bidra til selvantenning.
- Bruk båndstripetappen på pumperammen eller -huset for å koble til en god jordingskilde.
- Etter jording må du med jevne mellomrom kontrollere at det elektriske forløpet til bakken er ubrutt. Test med en ohmmeter fra hver komponent (f.eks., slanger, pumpe, klemmer, beholder, osv.) til bakken for å sikre ubrutt forløp.
- Hold brennbare væsker / flytende substanser vekk fra varme, åpne flammer og gnister.
- Hvis det oppdages økte temperaturer eller økte vibrasjonsnivåer, slå av pumpen og ikke bruk den før den kan inspiseres eller repareres.
- Ikke utfør vedlikehold eller reparasjoner i et område hvor det finnes eksplosjonsfarlige omgivelser.
- Lekkende flytende substanser kan lede til potensielle eksplosjonsfarer.
- Slangebrudd kan føre til lekkasje av flytende substanser og danne eksplosjonsfarlige omgivelser.



PERISTALTISKE SLANGEPUMPER

Sikkerhetsinformasjon for produktet

NÅR PUMPEN TAS I BRUK

ADVARSEL!

- Sørg for at elektrisk installasjon utføres av en kvalifisert elektriker.
- Lås / merk hovedstrømforsyningen for å forhindre muligheten for strømtilførsel til pumpen under montering / vedlikehold.
- Eier / elektriker må kalibrere matekabler for å sikre at kretsen er balansert og ikke er overbelastet av annet elektrisk utstyr.
- Koble pumpen bare til elektriske systemer som er kompatible med dens elektriske egenskaper og som er innenfor dens nominelle kapasitet. Ikke koble til strømforsyning med feil spenning og / eller frekvens.
- Monter en lastbryter på inngangslinjen. Pumpen er ikke utstyrt med en strømfrakoblingsenhet. Eieren er ansvarlig for utforming og installasjon av beskyttelse
- for frakobling, overspenning, kortslutning og overbelastning.
- For all drift / vedlikehold av pumpen, er det nødvendig å sikre at pumpen er stoppet og at strømforsyningen er frakoblet.
- Startsystemet til motoren bør være utstyrt med en retningsinverter, stoppstart- knapp og nødstopppknapp (sammen med pumpen), slik at pumpen kan drives med total sikkerhet.
- Alltid kontroller at spenningen på pumpedataplatten samsvarer med installasjonsspenningen før pumpen kobles til et strømtuttak eller til en strømforsyning.
- Hvis du er usikker, få en lisensiert elektriker til å inspisere og montere pumpen
- For å redusere risikoen for elektrisk støt før vedlikehold, reparasjon, eller flytting, slå alltid av strømmen til pumpen.
- Utrust alle elektriske komponenter med passende jording, klarering og lynspenningsavleder.
- Kontroller jordingskoblinger etter første installasjon og deretter med jevne mellomrom for å sikre at god kontakt og forløp opprettholdes.

Håndtering

OBS!

Følg disse instruksjonene når du løfter pumpen:

- Løft hele pumpen ved å bruke løftehullene / -ringene pluss ekstra støtte på giraksen og motoren med passende dimensjonerte remmer eller stropper.
- Bruk alltid passende dimensjonert hevestyrer. Overstig aldri øvre grenser for hevestyret.
- Pumpen har en tendens til å vippe mot siden til pumpehuset på grunn av dens tyngdepunkt. Pass på at personell holder trygg avstand fra pumpen.
- mens den heves for å unngå fare for skade.
- Løft aldri pumpen ved å ta tak i tilkoblingene for innsug / avløp.

Montering

- Kontroller riktig pumpemodell / -konfigurasjon før montering.
- Monter pumpen i et godt ventilert sted vekk fra varmekilder. Gi nok plass bak dekslet til motorventilatoren slik at luftinntaket ikke hindres.
- Plasseringen av pumpen bør gi enkel tilgang for alle vedlikeholdsoperasjoner.
- Pumper testes i vann når de monteres. Spyl pumpen med kompatibel væske før montering.
- Beskytt pumpen fra ytre skader, og bruk ikke pumpen som strukturell støtte for rørsystemet. Sørg for at systemkomponentene er riktig støttet for å hindre trykk på pumpedelene.

BRUK AV PUMPEN

ADVARSEL!

- Maksimal overflåtetemperatur avhenger av driftsforholdene til motor, pumpe og slangefriksjon. Ikke overskrid de maksimale temperaturgrensene. Se brukerhåndboken for maksimale temperaturgrenser.
- Høyt trykk kan føre til personskaade, død, skade på pumpen eller skade på eiendom.
- Sørg for at tilkoblingslanger og andre rørkompnenter er i stand til å tåle væsketrykket som dannes av denne pumpen.
- Ikke overskrid det maksimale materialtrykket til noen av komponentene i systemet.
- Ikke vedlikehold eller rengjør pumpe eller slanger mens pumpen kjører.
- Under bytte av slange, så kan slangen komme ut av pumpehuset svært raskt og forårsake skade. Det skal ikke stå noe personell foran pumpens side for innsug / avløp når slangen byttes.
- Pumpeskaade forårsaket av feilaktig montering eller belastning på rørdning og ytre skader kan føre til væskelekkasje.
- Utilstrekkelig smøring i pumpen kan lede til overflåtetemperaturer som er høyere enn den anbefalte temperaturgrensen for pumpen. Se brukerhåndboken for krav om smøring.
- Sørg for at alle som bruker pumpen har fått opplæring i sikre arbeidsrutiner, forstår systemets begrensninger og bruker riktig øyvern, hørselvern og annet påkrevd personlig verneutstyr.



PERISTALTISKE SLANGEPUMPER

Sikkerhetsinformasjon for produktet

OBS!

- Start ikke pumpen før du har montert frontdekslet.
- Tilkoblinger for innsug / avlop må være kompatible med det stoff et som pumpes.
- Forhindre unødvendig skade på pumpen. La ikke pumpen drives når den er tom for materiale i lange perioder av gangen.
- Koble strømledningen fra pumpen når systemet er inaktivt over lengre perioder.
- Kontroller den kjemiske kompatibiliteten til slangen og innleggsmaterialet med stoff et som pumpes. Kjemisk kompatibilitet kan endre seg med temperaturen og konsentrasjonen av kjemikaliet(ene) i stoff ene som pumpes. For spesii kk væskekompatibilitet, ta kontakt med kjemikaliefabrikanten.

Betjening

ADVARSEL!

- Kontroller at alle beskyttelser (deksel, kontrollvindu, ventilatorhette og koplingsbeskyttelse) er på plass før pumpen brukes.
- Bruk pumpen kun etter at alle elektriske og mekaniske tilkoblinger har blitt sjekket grundig.
- Slangens levetid, eller forebygging av tap av produkt / flytende substans er ikke garantert av ALBIN PUMP. Det er eierens ansvar å montere detektorer for tap av flytende substanser.
- Slangebruudd kan føre til at pumpehuset blir fylt med produktet som pumpes, og at produktet lekker ut av pumpen. En detektor for lekkasjer og automatisk utkopplingsventil anbefales for å forhindre slike hendelser.
- Pumpen, da den er volumetrisk, kan danne høyt trykk selv med delvis blokkering av utslippslinjen. Sørg for at beskyttelse er på plass for å hindre at utslippslinjen blokkeres.
- For høyt materialetrykk. Termisk ekspansjon oppstår når væske i materialslangene utsettes for høye temperaturer. Dette kan forårsake sprekker i systemet. Installer en trykkavlastningsventil i pumpesystemet.
- FARLIGE MATERIALER. Kan forårsake alvorlig skade på person eller materiell. Ikke send en pumpe til fabrikk eller servicesenter hvis den inneholder farlig materiale. Sikre håndteringsrutiner må være i samsvar med krav i lokal og nasjonal lovgivning.

MERK : Se bruksanvisningen for pumpen & modell spesifi kke sikkerhetsinformasjon



PERISTALTISKE SLANGEPUMPER

Sikkerhetsinformasjon for produktet

IDENTIFIKASJON AV SIKKERHETSSYMBOL



Varm Over-
flate



Statisk gnist
Fare for Eksplosjon



Fare for Flatklem-
ming



Atex Equipment



Les Håndbøkene Som
Følger med Product

FORKLARING AV SIGNALORD FOR SIKKERHET

FARE! Angir en overhengende farlig situasjon som, dersom den ikke unngås, vil resultere i død eller alvorlig personskaade.

ADVARSEL! Angir en potensielt farlig situasjon som, dersom den ikke unngås, kan resultere i død eller alvorlig personskaade.

OBS! Angir en potensielt farlig situasjon som, dersom den ikke unngås, kan resultere i mindre eller moderat personskaade eller skade på eiendom.

MERK! Angir informasjon eller selskapspolicy som er knyttet direkte eller indirekte til sikkerheten til personell eller beskyttelse av eiendom.

INFORMASJON OM PRODUKTDELER

OBS!

Bruk av andre deler enn originale ALBIN PUMP reservedeler kan føre til sikkerhetsrisiko, redusert verktøy-ytelse og økt vedlikehold, og kan føre til at garantien blir ugyldig.

Reparasjoner bør bare utføres av godkjent personell. Spør hos ditt nærmeste godkjente ALBIN PUMP verksted.

Originalspråket for denne håndboken er engelsk.

Håndbøker kan lastes ned fra www.albinpump.com

Henvendelser skal rettes til nærmeste ALBIN PUMP-avdeling eller -forhandler.



PERISTALTITSET PUMPUT

Tuotteen turvatiedot

TUOTEKUVAUS

Peristalttinen letkupumppu on sähkömoottorikäyttöinen syrjäytyspumppu, jossa syntyy pumppaustointamaa, kun siihen kuuluvaan letkuun kohdistuu mekaanista puristusta. Pumppuja käytetään tuotteiden pumppaamiseen. Ennen käyttöä on varmistettava, että pumppun letku kestää kyseistä tuotetta. Kaikki muu käyttö voi aiheuttaa laitteen vaurioitumisen ja/tai vakavan loukkaantumisen tai kuolemantapauksen.

YLEINEN TUOTETURVALLISUUSHUOMAUTUS

VAROITUS!

- Ennen tuotteen käyttöönottoa lue kaikki sen käyttöohjeet.
 - Tutustu kaikkiin sen mukana toimitettuihin asiakirjoihin.
 - Ota yhteyttä ALBIN PUMPiin tai lähimpään jälleenmyyjään, jos jokin asennus-, käyttö-, tarkastus- ja huolto-ohjeisiin liittyvä seikka on epäselvä.
 - Älä heitä käyttöohjeita pois. Pidä ne kaikkien työntekijöiden saatavilla.
- Noudata tuotteen asennuksessa, käytössä, tarkastuksessa ja huollossa aina voimassa olevia standardeja ja säännöksiä (esim. paikallisia tai maakohtaisia).
- Käytä aina silmäsuojaa käyttäessäsi tai huoltaessasi pumppua.
- Käytä aina kuulonsuojaa pumppun käytön aikana.
- Käytä aina käytettävän pumppun ja työstettävän materiaalin mukaisia henkilökohtaisia suojavarusteita. Näitä ovat esim. pölysuojain tai muu hengityssuojain, suojalasit, korvatulpat, suojakäsineet, esiliinat, turvajalkineet, kypäriä ja muut varusteet.
- Älä muuta pumppun, turvalaitteiden tai varusteiden rakennetta.
- Käytä ALBIN PUMPiin suosittelemia varusteita.

Kuljetus ja varastointi

- Säilytä kuivassa paikassa. Säilytä tuote sen laatikossa/pakkauksessa.
- Älä pudota tai vahingoita laatikkoa/pakkausta. Käsittele varoen.

PERISTALTITSE PERISTALTITSTEN LETKUPUMPPUJEN KÄYTTÖ RÄJÄHDYSVAARALLISISSA TILOISSA (ATEX-TILOISSA)

Käyttökäsikirjassa olevassa yhdenmukaisuusvakuutuksessa vakuutetaan, että jotkin pumppumallit täyttävät räjähdysvaarallisissa tiloissa käytettäväksi tarkoitettuja laitteita annettun Euroopan parlamentin ja neuvoston direktiivin 2014/34/EC (joka tunnetaan yleisesti ATEX-direktiivinä) vaatimukset. Lisätietoa tuotteen ATEX-luokituksesta löytyy tuotteen nimikytkin lähellä tai sen yhteydessä olevasta merkinnästä. Tuotteet, joissa ei ole tällaista merkintää, eivät sovellu räjähdysvaarallisiin tiloihin (ATEX-tiloihin). Lisätietoa malleista saat käyttökäsikirjasta

RÄJÄHDYSVAARALLISISSA TILOISSA (ATEX-TILOISSA) KÄYTETTÄVIEN PUMPPUJEN ERITYISET KÄYTTÖEDELLYTYKSET

VAROITUS!

- Jos kaikki erityiset käyttöedellytykset eivät täyty, seurauksena voi olla räjähdysvaarallisen tilan syttyminen.
- Räjähdysvaarallisissa tiloissa tulee käyttää ainoastaan sellaisia pumppumalleja, jotka täyttävät EU:n ATEX-direktiivin vaatimukset.
- Jotkin pölylajit voivat syttyä palamaan, kun lämpötila pumppun pinnalla saavuttaa raja-arvon. Huolehdi siisteydestä, jotta pumppun pinnalle ei pääse kerääntymään pölyä.
- Staattiset kipinät voivat aiheuttaa räjähdyksiä, joista seuraa vakavia loukkaantumisia tai kuolemantapauksia. Maadoita pumppu ja pumppausjärjestelmä. Kuulla paikallisten, alueellisten ja kansallisten rakennus ja sähkö-koodit.
- Staattiset kipinät voivat sytyttää syttyvät materiaalit ja höyryt palamaan. Pumppu ja imu/purkausliitännät on maadoitettava, jos niitä käytetään tiloissa, joissa lähiympäristön tila voi edistää spontaania palamista.
- Liitä pumppu sen rungossa tai kotelossa olevalla maadoitusliuskalla hyvään maadoituslähteeseen.
- Tarkista maadoituksen jälkeen säännöllisesti, että sähkö johtuu maahan. Tarkista ohmimittarilla, että kaikista komponenteista (kuten letkuista, pumpusta, kiinnikkeistä, säiliöstä jne.) on katkeamaton tie maahan.
- Pidä syttyvät nesteet loitolla kuumuudesta, avotulesta ja kipinöistä.
- Jos pumppun käytön aikana ilmenee sen kuumenemista tai tärinän lisääntymistä, kytke pumppu pois päältä äläkä käytä sitä ennen kuin se on tarkastettu ja/tai korjattu.
- Älä tee huolto- tai korjaustöitä räjähdysvaarallisissa tiloissa.
- Vuotavat nesteet voivat aiheuttaa räjähdysvaaran.
- Letkun halkeaminen voi aiheuttaa nestevuotoja ja räjähdysvaarallisen tilan.



PERISTALTITSET PUMPUT

Tuotteen turvatiedot

PUMPUN KÄYTTÖÖNOTTO

VAROITUS!

- Sähköasennuksia saavat tehdä ainoastaan sähköalan ammattilaiset.
- Lukitse pääkatkaisija ja varmista se, jotta pumppuun ei pääse asennus- tai huoltotöiden aikana sähkövirtaa.
- Omistajan tai sähkötöitä tekevän on sovittava syöttökaapellen koko siten, että piiri on tasapainossa ja että mikään muu sähkölaite ei ylikuormita sitä.
- Liitä pumppu ainoastaan sellaiseen sähköverkkoon, johon se sopii ominaisuuksiensa puolesta ja joka vastaa sen nimellistehoä. Älä liitä laitetta, jos sähkövirran jännite ja/tai taajuus on väärä.
- Asenna tulojohtoon pääkatkaisukytkin. Pumpputa ei varustettu sähkökatkaisimella. Omistaja on vastuussa katkaisu-, ylijännite-, oikosulku- ja ylikuormitusuojien suunnittelusta ja asentamisesta.
- Ennen pumpulle tehtävien huolto- ja muiden töiden aloittamista on varmistettava, että pumppu on pysäytetty ja että sen virransyöttö on katkaistu.
- Moottorin käynnistysjärjestelmä tulisi varustaa vaihtosuuntaajalla, käynnistys-pysäytyspainikkeella ja hätäpysäytyspainikkeella (pumpun yhteydessä), jotta pumpun käyttö on täysin turvallista.
- Varmista aina ennen pumpun yhdistämistä seinäpistokkeeseen tai virtalähteeseen, että asennusjännite vastaa pumpun tietokyltissä ilmoitettua jännitettä. Jos et ole varma, anna sähköalan ammattilaisen tarkastaa ja asentaa pumppu.
- Sähköiskujen välttämiseksi kytkte pumppu irti virtalähteestä aina ennen huolto- ja korjaustöiden tekemistä tai sen liikkuttamista.
- Huolehdi, että kaikki sähköosat on asianmukaisesti maadoitettu, että niille on tarpeeksi tilaa ja että ne on suojattu ylijännitteeltä.
- Kun alkuasennus on tehty, tarkista maadoitusliitännät. Tarkista sen jälkeen säännöllisesti, että maadoituskontaktit ovat pysyneet kunnollisina.

Käsittely

VARO!

Noudata näitä ohjeita nostaessasi pumpputa:

- Nosta koko pumppu nostoaukoista/renkaista ja tukemalla sitä vielä vaihteiston ja moottorin kohdalle asetetuilla, sopivan kokoisilla remmeillä tai kantohihnoilla.
- Käytä aina nostolaitteita, joiden kapasiteetti on tarpeeksi suuri. Älä käytä koskaan nostolaitteita, joiden kapasiteetti ei ole riittävä.
- Painopisteensä vuoksi pumpulla on taipumusta kallistua pumpukotelon puolelle. Onnettomuuksien välttämiseksi varmista, että työntekijät ovat oston aikana turvallisen etäisyyden päässä pumpusta.
- Älä koskaan nosta pumpputa sen imu/purkulitännöistä.

Asennus

- Tarkista ennen asennusta, että pumpun malli ja sen asetukset ovat oikeat.
- Pumpun asennustilassa on oltava hyvä ilmanvaihto, eikä siellä saa olla lämmönlähteitä. Jätä moottorin tuuletin kannen taakse tarpeeksi tilaa, jotta ilma pääsee liikkumaan ilmanottoaukosta.
- Aseta pumppu siten, että huoltotyöt on helppo tehdä.
- Pumpput on testattu kokoonpanon yhteydessä vedellä. Huuhtelee pumpput ennen asennusta sopivalla nesteellä.
- Suojaa pumpputa ulkoisilta vaurioilta, äläkä käytä sitä tukemaan putkijohtoja. Varmista, että järjestelmän komponentit saavat riittävästi tukea, jotta pumpun osiin ei kohdistu painetta.

PUMPUN KÄYTTÖ

VAROITUS!

- Suurin sallittu pintalämpötila riippuu moottorin ja pumpun käyttöolosuhteista ja letkuun kohdistuvasta kitkasta. Suurinta sallittua lämpötilaa-arvoa ei saa ylittää. Suurin sallittu lämpötila on ilmoitettu käyttökäsi kirjassa.
- Korkea paine voi aiheuttaa tapaturmia, kuolemantapauksia, pumpun vaurioitumista tai omaisuusvahinkoja.
- Varmista, että liitäntäletkut ja muut johto-osat kestävät tässä pumpussa syntyvää nestepainetta.
- Materiaaliin kohdistuva enimmäispaine ei saa ylittyä minkään järjestelmän komponentin osalta.
- Pumpputa tai letkuja ei saa huoltaa tai puhdistaa pumpun ollessa käynnissä.
- Letkua vaihdettaessa voi letku irrota äkillisesti pumpukotelosta ja aiheuttaa täten vahinkoa. Letkun imu/purkupuolella ei sen vuoksi saa olla letkua vaihdettaessa ketään.
- Väärän asennus- tai johtopaineen ja ulkoisten vikojen aiheuttamat pumpputavahingot voivat saada aikaan nestevuotoja.
- Jos pumpussa ei ole tarpeeksi voiteluainetta, pumpun pinnan lämpötila voi kohota yli suositellut enimmäislämpötilan. Lisätietoa voiteluaineista on käyttökäsi kirjassa.
- Varmista, että kaikki pumpun käyttäjät on perehdytetty turvallisiin työskentelytapoihin, että he ovat ymmärtäneet sen käyttöä koskevat rajoitukset ja että he käyttävät asianmukaisia silmä- ja kuulosuojaimia ja muita tarvittavia henkilösuojaimia.



PERISTALTITSET PUMPUT

Tuotteen turvatiedot

VARO!

- Älä käynnistä pumpppu, jos sen etukansi ei ole paikallaan.
- Imu- ja purkuliitäntöjen on oltava pumpattavan aineen kestäviä.
- Vältä tarpeettomia pumppuvaurioita. Älä anna pumpun käydä pitkään tyhjänä.
- Katkaise pumpusta virta, jos järjestelmä on pidemmän aikaa kuormittamattomana.
- Tarkista, että letkun ja panoksen materiaali kestä kestä kemiallisesti pumpattavaa ainetta. Kemiallinen kestävyys voi vaihdella pumpattavassa aineessa olevien kemikaalien lämpötilan ja pitoisuuden mukaan. Lisätietoa nesteen kestävyydestä saat kemikaalin valmistajalta.

Käyttö

VAROITUS!

- Varmista ennen käytön aloittamista, että kaikki suojukset (kansi, tarkastusikkuna, tuuletin kansi ja kytkimen suoja) ovat paikoillaan.
- Pumpun saa käynnistää vasta, kun kaikki sähkö- ja mekaaniset liitännät on tarkistettu huolella.
- ALBIN PUMP ei takaa letkun käyttöikää eikä väliaineen/nesteen vuotojenestoa. Väliaineen vuototunnistimen asennus on omistajan vastuulla.
- Letkussa olevat halkeamat voivat aiheuttaa pumpattavan aineen pääsyn pumpun koteloon ja aineen valumista pumpusta. Näiden välttämiseksi suosittelemme vuototunnistimen ja automaattisen sulkuventtiilin käyttöä.
- Koska pumpppu on volumetrinen, siihen voi syntyä korkeita paineita myös poistoputken ollessa osaksi tukkeutunut. Poistoputken tukkeumien välttämiseksi varmista, että kaikki suojukset ovat paikoillaan. Lisätietoa suosituksista on käyttökäsi kirjassa.
- Materiaalin liiallinen paine. Lämpölaajenemista tapahtuu, kun materiaaliletkuissa oleva neste altistuu kohonneille lämpötiloille. Tämä voi johtaa järjestelmän halkeamiseen. Asenna pumppujärjestelmään aineenvapautusventtiili.
- Vaaralliset aineet voivat aiheuttaa vakavan loukkaantumisen tai suuria esinevahinkoja. Pumpppua, joka sisältää vaarallisia aineita, ei saa lähettää tehtaalle tai huoltokeskukseen. Turvallisten käsittelymenetelmien on vastattava paikallisia ja kansallisia lakeja ja turvallisuusmääräyksiä.

HUOMAUTUS: Katso käyttöohje, pumpppu & malli erityisiä tietoja.



PERISTALTISET PUMPUT

Tuotteen turvatiedot

TURVALLISUUSMERKIT



Kuuma Pinta



Staattinen Kipinä
Räjähdysvaara



Murskautumis-
vaara



Atex Equipment



Lue käyttöohjeista
Kun tuote

TURVALLISUUSMERKINTÖJEN SELITYKSET

VAARA! Ilmaisee välittömästi vaarallisen tilanteen, joka voi johtaa kuolemantapaukseen tai vakavaan loukkaantumiseen..

VAROITUS! Ilmaisee mahdollisesti vaarallisen tilanteen, joka voi johtaa kuolemantapaukseen tai vakavaan loukkaantumiseen.

VARO! Ilmaisee mahdollisesti vaarallisen tilanteen, joka voi johtaa lievään tai keskivakavaan loukkaantumiseen tai omaisuuden vahingoittumiseen.

HUOMAUTUS! Ilmaisee ohjeen tai käytänteen, joka liittyy suoraan tai epäsuoraan työntekijöiden tai omaisuuden suojaamiseen.

TUOTEOSIEN TIEDOT

VARO!

Muiden kuin ALBIN PUMPin alkuperäisvaraosien käyttö saattaa johtaa vaaratilanteisiin, heikentyneisiin työkalun suoritusarvoihin, kasvavaan huollontarpeeseen ja se saattaa mitätöidä kaikki takuut.

Ainoastaan valtuutetun, koulutetun henkilöstön tulisi korjata työkalua. Lisätietoja saat lähimmästä ALBIN PUMPin merkkihuoltokeskuksesta. Tämän käyttöohjeen alkuperäiskieli on englanti.

Käyttöohjeita voi hakea Web-osoitteesta www.albinpump.com

Osoita mahdollinen kirjeenvaihto lähimpään ALBIN PUMP toimistoon tai jälleenmyyjälle.



BOMBAS PERISTÁLTICAS

Informações de Segurança do Produto

DESCRIÇÃO DO PRODUTO

A bomba peristáltica é uma bomba de deslocamento positivo acionada por um motor eléctrico que contém uma mangueira que é sucessivamente comprimida mecanicamente para conseguir a ação de transferência. Estas bombas são usadas para bombear produtos cuja compatibilidade com a mangueira deve ser verificada antes da operação. Qualquer outro uso pode danificar o equipamento e/ou provocar ferimentos graves ou morte.

INFORMAÇÕES GERAIS DE SEGURANÇA DO PRODUTO

AVISO!

- Não coloque o equipamento para funcionar antes de ler o(s) manual(ais) fornecido(s) com este produto.
 - Leia toda a documentação fornecida com o produto.
 - Contacte a ALBIN PUMP ou o distribuidor mais próximo se tiver dúvidas quanto às instruções de instalação, operação, inspeção e manutenção.
 - Não descarte os manuais. Mantenha os manuais à disposição de todo o pessoal.
- Instale, utilize, inspecione e mantenha sempre este equipamento em conformidade com todas as normas e regulamentos aplicáveis (locais, estaduais, nacionais, federais, etc.)
- Utilize equipamento de proteção ocular sempre que utilizar ou efetuar a manutenção desta bomba.
- Utilize equipamento de proteção auricular sempre que utilizar esta bomba.
- Use sempre equipamento de proteção pessoal adequado tanto ao tipo de bomba utilizada como ao tipo de material bombeado. O equipamento de proteção pessoal pode incluir máscara ou outro equipamento de proteção das vias respiratórias, óculos de proteção, tampões para os ouvidos, luvas, avental, sapatos de proteção, capacete e outro equipamento.
- Nunca modifique a bomba, nem os dispositivos de proteção e segurança ou os acessórios.
- Utilize acessórios recomendados pela ALBIN PUMP.

Transporte e armazenamento

- Armazene o equipamento num local seco. Não remova o produto da caixa / embalagem durante o período de armazenamento.
- Não deixe cair nem danifique a caixa / embalagem. Manuseie com cuidado.

BOMBAS PERISTÁLTICAS UTILIZADAS EM ATMOSFERAS POTENCIALMENTE EXPLOSIVAS (ATEX)

A Declaração de Conformidade, constante no Manual de Instruções, afirma que alguns modelos de bombas estão em conformidade com a Directiva Comunitária 2014/34/EC, relativa a equipamento concebido para utilização em atmosferas potencialmente explosivas, habitualmente designada por Directiva ATEX. Consulte os rótulos no produto, localizados perto ou na plaqueta de identificação para saber qual a designação ATEX específica. Os produtos que não possuem esta marcação não são adequados para utilização em atmosferas potencialmente explosivas (ATEX). Consulte o Manual de Instruções para obter descrições adicionais sobre o modelo.

CONDIÇÕES ESPECIAIS PARA BOMBAS UTILIZADAS EM ATMOSFERAS POTENCIALMENTE EXPLOSIVAS (ATEX)

AVISO!

- O não-cumprimento de qualquer uma destas "Condições especiais" pode resultar na ignição de atmosferas potencialmente perigosas.
- Apenas os modelos de bombas em conformidade com a "Directiva ATEX" da UE devem ser utilizados em atmosferas potencialmente explosivas.
- Algumas poeiras podem inflamar quando os limites de temperatura da superfície da bomba são atingidos. Assegure uma limpeza adequada para eliminar o acúmulo de poeira na bomba.
- As faíscas estáticas podem causar explosão que poderá resultar em lesões graves ou morte. Ligue a bomba e o sistema de aterramento. Consultar normas ou legislações locais, regionais e nacionais de construção e eletricidade.
- As faíscas estáticas podem causar a ignição de substâncias e vapores inflamáveis.
- A bomba e as conexões de sucção / descarga devem ser aterradas quando são utilizadas numa localização em que a atmosfera circundante é propícia a combustão espontânea.
- Utilize a conexão fornecida na estrutura ou na carcaça da bomba para efetuar um correto aterramento em local apropriado.
- Após efetuar o aterramento verifique periodicamente a continuidade do caminho eléctrico para a terra. Utilize um ohmímetro para testar o aterramento de cada componente (por ex., mangueiras, bomba, grampos, recipiente, etc.) para garantir a respectiva continuidade.
- Mantenha os líquidos inflamáveis afastados de fontes de calor, chamas e faíscas.
- Se forem detectados níveis elevados de temperatura ou vibração, desligue a bomba e retire a mesma de utilização até que possa ser inspecionada e/ou reparada.
- Não execute reparações ou manutenção numa área onde estejam presentes atmosferas explosivas.
- Os líquidos derramados podem causar um perigo de explosão.
- A ruptura da mangueira pode causar derrame de líquidos e criar atmosferas potencialmente explosivas.



BOMBAS PERISTÁLTICAS

Informações de Segurança do Produto

PARTIDA DO EQUIPAMENTO

AVISO!

- Assegure-se de que a instalação elétrica é feita por um electricista qualificado.
- Bloquee e coloque uma etiqueta na fonte de energia principal para evitar a possibilidade de energizar o motor da bomba durante a instalação / manutenção.
- O mecânico / electricista deve dimensionar os cabos de alimentação para assegurar que o circuito está equilibrado e não sobrecarregado por outro equipamento elétrico.
- Ligue a bomba apenas a sistemas elétricos que sejam compatíveis com as respectivas características elétricas e que se encontrem dentro da sua capacidade nominal. Não a ligue a uma fonte elétrica de voltagem e/ou frequência incorretas.
- Instale um interruptor para desligar o motor da bomba da rede elétrica. A bomba não está equipada com um dispositivo elétrico para desligar. O proprietário é responsável pela concepção e instalação de um mecanismo para desligar, assim como uma proteção contra sobretensão, curto circuito ou sobrecarga.
- Para realizar qualquer operação / manutenção na bomba, é necessário assegurar que a bomba está parada e que a alimentação elétrica está desligada.
- O sistema de arranque do motor deve estar equipado com um inversor de frequência uma chave liga/desliga e uma chave de emergência (juntamente com a bomba) de modo a possibilitar que a bomba seja operada com total segurança.
- Certifique-se sempre de que a voltagem indicada nas plaquetas de identificação da bomba, do motor redutor ou motor correspondem à voltagem da instalação antes de ligar a bomba a uma conexão elétrica ou uma fonte de energia. Se não tiver a certeza, a bomba deve ser inspecionada e instalada por um electricista qualificado.
- Para reduzir o risco de choque elétrico antes da manutenção, reparação ou deslocamento da bomba, desligue sempre a alimentação elétrica.
- Disponibilize aterramentos adequados e pára-raios para todos os componentes elétricos.
- Verifique os aterramentos após a instalação inicial e periodicamente depois disso, para garantir a existência de um bom contato e continuidade.

Manuseio

ATENÇÃO!

Siga estas instruções quando levantar a bomba:

- Levante totalmente a bomba como um todo utilizando os orifícios/anéis de içamento e apoios adicionais na caixa de transmissão e no motor com correias e eslingas adequadas.
- Utilize sempre equipamento de içamento da capacidade adequada. Nunca exceda os limites superiores do equipamento de içamento.
- A bomba terá tendência para se inclinar em direcção à parte lateral da caixa da bomba devido ao respectivo centro de gravidade. Certifique-se de que as pessoas estão a uma distância segura da bomba para evitar qualquer risco de ferimentos durante o içamento e movimentação.
- Nunca levante a bomba pelas conexões de entrada e saída do fluido.

Instalação

- Antes da instalação verifique se o modelo ou configuração da bomba estão corretos.
- Instale a bomba numa área bem ventilada afastada de fontes de calor. Deixe espaço suficiente para ventilação do motor para não obstruir a entrada de ar.
- A posição da bomba deve permitir o acesso fácil para todas as operações de manutenção.
- As bombas são testadas com água. Limpe a bomba com um líquido compatível antes da instalação.
- Proteja a bomba contra danos externos e não a utilize como suporte estrutural do sistema de tubulação. Certifique-se de que os componentes do sistema estão devidamente suportados para evitar esforço nas peças da bomba.

UTILIZAÇÃO DA BOMBA

AVISO!

- A temperatura máxima da superfície depende das condições de funcionamento do motor, da bomba e da fricção da mangueira. Não ultrapasse os limites de temperatura máximos. Consulte o Manual de Instruções para saber quais os limites de temperatura máximos.
- A alta pressão pode provocar ferimentos pessoais, morte, danos na bomba ou em bens materiais.
- Assegure-se de que as mangueiras de ligação e outros componentes da tubulação são capazes de resistir às pressões de descarga do fluido criadas por esta bomba.
- Não exceda a pressão máxima do material de qualquer um dos componentes no sistema.
- Não efetue a manutenção ou limpeza das mangueiras enquanto a bomba estiver funcionando ou conectada a rede elétrica.
- Durante a substituição da mangueira, esta pode soltar-se muito rapidamente da caixa da bomba e causar danos. Ninguém deve estar em frente ao local de sucção / descarga da bomba quando a mangueira for substituída.
- Danos na bomba provocados por montagem incorrecta ou esforço da tubulação e danos externos podem resultar em fuga de líquido.
- Níveis insuficientes do lubrificante bomba podem gerar temperaturas na superfície acima do limite recomendado. Consulte o Manual de Instruções para saber quais os requisitos de lubrificação.



BOMBAS PERISTÁLTICAS

Informações de Segurança do Produto

ATENÇÃO!

- Certifique-se de que todos os operadores da bomba receberam o treinamento adequado quanto a práticas seguras de trabalho, compreendem as limitações do equipamento e usem proteção ocular e auditiva adequada, assim como outra proteção pessoal que seja necessária.
- Não coloque a bomba em operação sem ter instalado primeiro a tampa da frente.
- As conexões de sucção e descarga têm que ser compatíveis com os produtos à serem bombeados.
- Evite danos desnecessários na bomba. Não permita que a bomba funcione sem produto durante longos períodos de tempo.
- Desligue a linha de alimentação quando o sistema estiver inativo durante longos períodos de tempo.
- Verifique a compatibilidade química da mangueira e do material de revestimento com a substância a ser bombeada. A compatibilidade química pode mudar com a temperatura e a concentração dos produtos químicos existentes nas substâncias bombeadas. Para saber a compatibilidade de um líquido específico, consulte o fabricante do produto químico.

Funcionamento

AVISO!

- Antes de por a bomba em funcionamento, certifique-se, de que todas as proteções (cobertura, visor de nível, proteção do ventilador e proteção do acoplamento) estão montadas no lugar devido.
- Só coloque a bomba em funcionamento depois de todas as conexões elétricas e mecânicas terem sido totalmente verificadas.
- A vida útil da mangueira e a prevenção da perda de produto / líquidos não são garantidas pela ALBIN PUMP. É da responsabilidade do proprietário instalar detectores de perda de líquido.
- A ruptura da mangueira pode fazer com que a caixa se encha com o produto bombeado e consequente derrame o produto para fora da bomba. É recomendada a utilização de um detector de ruptura e uma válvula de proteção automática para impedir estas situações.
- A bomba, devido ao fato de ser volumétrica, pode acumular grandes pressões mesmo quando ocorre um bloqueio parcial da linha de descarga. Certifique-se de que existem proteções para impedir qualquer bloqueio da linha de descarga.
- Pressão excessiva do material. Quando o fluido na tubulação é exposto a altas temperaturas ocorre uma expansão térmica que dará origem a uma ruptura do sistema. Instale uma válvula reguladora da pressão no sistema de descarga do fluido.
- Materiais perigosos. Podem causar lesões graves e danos materiais. Não devolva, à fábrica ou Centro de Assistência, qualquer bomba que contenha substâncias perigosas. As práticas de segurança têm que ser cumpridas conforme as leis locais e nacionais e os preceitos do código de segurança.

NOTA: Consulte o Manual de instruções para obter informações de segurança específicas sobre o modelo adquirida.



BOMBAS PERISTÁLTICAS

Informações de Segurança do Produto

IDENTIFICAÇÃO DOS SÍMBOLOS DE SEGURANÇA



Superfície
Quente



Perigo de Explosão
Devido a Faiscas
Estáticas



Perigo de
Esmagamento



Equipamento
ATEX



Sempre leia o manual
de instruções

ESCLARECIMENTOS SOBRE AS FRASES DE AVISO DE SEGURANÇA

PERIGO! Indica uma situação de perigo iminente que, se não for evitada, pode levar a morte ou lesões graves..

AVISO! Indica uma situação potencialmente perigosa que, se não for evitada, pode levar a morte ou lesões graves..

ATENÇÃO! Indica uma situação potencialmente perigosa que, se não for evitada, pode levar a lesões moderadas ou a danos em bens e propriedades.

NOTA! Indica informações ou uma política da companhia que diz direta ou indiretamente respeito à segurança do pessoal ou à proteção da propriedade.

INFORMAÇÕES SOBRE AS PEÇAS DE REPOSIÇÃO

ATENÇÃO!

O uso de peças de reposição que não sejam genuinamente da ALBIN PUMP podem resultar em riscos de segurança, diminuição do desempenho do equipamento aumento da necessidade de manutenção e pode invalidar todas as garantias.

As manutenções devem ser feitas somente por pessoal treinado autorizado. Consulte o Centro de Serviços da ALBIN PUMP mais próximo. O idioma original deste manual é o inglês.

Pode baixar manuais do seguinte endereço da Internet: www.albinpump.com

Envie Todos os Comunicados Para o Distribuidor ou Escritório da ALBIN PUMP Mais Próximo.



ΠΕΡΙΣΤΑΛΙΚΕΣ ΑΝΤΛΙΕΣ

Πληροφορίες ασφάλειας προϊόντος

ΠΕΡΙΓΡΑΦΗ ΠΡΟΪΟΝΤΟΣ

Η περισταλτική αντλία εύκαμπτου σωλήνα είναι μια ηλεκτροκίνητη περιστροφική αντλία θετικής μετατόπισης που αποτελείται από έναν εύκαμπο σωλήνα, ο οποίος συμπιέζεται διαδοχικά με μηχανικό τρόπο για να επιτευχθεί η ενέργεια άντλησης. Αυτές οι αντλίες χρησιμοποιούνται για την άντληση προϊόντων, των οποίων η συμβατότητα με τον εύκαμπο σωλήνα πρέπει να ελέγχεται πριν από τη λειτουργία. Οποιαδήποτε άλλη χρήση μπορεί να προκαλέσει ζημιά στον εξοπλισμό ή/και σοβαρό τραυματισμό ή θάνατο.

ΓΕΝΙΚΕΣ ΠΛΗΡΟΦΟΡΙΕΣ ΑΣΦΑΛΕΙΑΣ ΠΡΟΪΟΝΤΟΣ

ΠΡΟΕΙΔΟΠΟΙΗΣΗ!

- Μην χρησιμοποιείτε το προϊόν, πριν διαβάσετε τα συνοδευτικά χειριρίδια.
 - Να διαβάσετε όλη την τεκμηρίωση που συνοδεύει το προϊόν.
- Επικοινωνήστε με την <emphasis>ALBIN PUMP</emphasis> ή τον πλησιέστερο διανομέα αν έχετε απορίες για τις οδηγίες εγκατάστασης, λειτουργίας, ελέγχου και συντήρησης.
 - Μην απορρίπτετε τα χειριρίδια. Τα χειριρίδια πρέπει να είναι άμεσα διαθέσιμα για όλο το προσωπικό.
- Η εγκατάσταση, η λειτουργία, ο έλεγχος και η συντήρηση αυτού του προϊόντος πρέπει να εκτελούνται πάντα σύμφωνα με όλα τα ισχύοντα πρότυπα και τους κανονισμούς (τοπικούς, κρατικούς, εθνικούς, ομοσπονδιακούς, κ.λπ.).
- Φοράτε πάντα προστατευτικά γυαλιά κατά τη λειτουργία ή κατά την εκτέλεση εργασιών συντήρησης στη συγκεκριμένη αντλία.
- Φοράτε πάντα προστατευτικά ακοής κατά τη λειτουργία της συγκεκριμένης αντλίας. Χρησιμοποιείτε πάντα τα κατάλληλα
 - μέσα ατομικής προστασίας για την αντλία που χρησιμοποιείται και τα υλικά με τα οποία εκτελείτε εργασίες. Σε αυτά μπορεί να περιλαμβάνονται η μάσκα προστασίας από τη σκόνη ή άλλες αναπνευστικές συσκευές, τα προστατευτικά γυαλιά, οι υγροασπίδες, τα γάντια, η ποδιά, τα προστατευτικά υποδήματα, το κράνος και άλλα μέσα.
- Μην τροποποιείτε την αντλία, τις διατάξεις ασφαλείας ή τα εξαρτήματα.
- Χρησιμοποιείτε τα εξαρτήματα που συνοδεύει η ALBIN PUMP.

Μεταφορά και αποθήκευση

- Να φυλάσσεται σε ξηρό &ιστόζωρος. Μην αφαιρείτε το προϊόν από το κιβώτιο/τη συσκευασία κατά την αποθήκευση.
- Μην αφήσετε το κιβώτιο/τη συσκευασία να πέσει ή να υποστεί ζημιά. Απαιτείται προσεκτικός χειρισμός.

ΒΠΕΡΙΣΤΑΛΤΙΚΕΣ ΑΝΤΛΙΕΣ ΕΥΚΑΜΠΤΟΥ ΣΩΛΗΝΑ ΠΟΥ ΧΡΗΣΙΜΟΠΟΙΟΥΝΤΑΙ ΣΕ ΔΥΝΗΤΙΚΑ ΕΚΡΗΚΤΙΚΕΣ ΑΤΜΟΣΦΑΙΡΕΣ

Η Δήλωση Συμμόρφωσης στο Εγχειρίδιο οδηγιών δηλώνει ότι ορισμένα μοντέλα αντλιών συμμορφώνονται με την Οδηγία 2014/34/Ε. της Ευρωπαϊκής Κοινότητας σχετικά με τον εξοπλισμό που προορίζεται για χρήση σε δυνητικά εκρηκτικές ατμόσφαιρες, η οποία αποκαλείται κοινώς Οδηγία ΑTEX. Ανατρέξτε στην ετικέτα του προϊόντος που βρίσκεται κοντά ή επάνω στην πινακίδα στοιχείων (ονόματος) για το χαρακτηρισμό βάσει της οδηγίας ΑTEX. Τα προϊόντα που δεν φέρουν σχετική σήμανση δεν είναι κατάλληλα για χρήση σε οποιαδήποτε δυνητικά εκρηκτικά ατμόσφαιρα (ΑTEX). Ανατρέξτε στο Εγχειρίδιο οδηγιών για περαιτέρω περιγραφές μοντέλων.

ΣΕΙΔΙΚΕΣ ΣΥΝΘΗΚΕΣ ΓΙΑ ΑΝΤΛΙΕΣ ΠΟΥ ΧΡΗΣΙΜΟΠΟΙΟΥΝΤΑΙ ΣΕ ΔΥΝΗΤΙΚΑ ΕΚΡΗΚΤΙΚΕΣ ΑΤΜΟΣΦΑΙΡΕΣ (ΑΤΕΧ)

ΠΡΟΕΙΔΟΠΟΙΗΣΗ!

- Η μη συμμόρφωση με οποιεσδήποτε από αυτές τις "ειδικές συνθήκες" μπορεί να προκαλέσει ανάφλεξη των δυνητικά εκρηκτικών ατμοσφαιρών.
- Στις δυνητικά εκρηκτικές ατμόσφαιρες θα πρέπει να χρησιμοποιούνται μόνο μοντέλα αντλιών που συμμορφώνονται με την "Οδηγία ΑTEX της Ε.Ε.
- Ορισμένες σκόνης μπορεί να αναπνεύονται στα όρια επιφανειακής θερμοκρασίας της αντλίας. Διασφαλίστε το σωστό καθαρισμό του χώρου, ώστε να αποφεύγεται η συσσώρευση σκόνης στην αντλία.
- Οι στατικοί σπινθήρες μπορεί να προκαλέσουν έκρηξη με αποτέλεσμα σοβαρό τραυματισμό ή θάνατο. Γειώστε την αντλία και το σύστημα άντλησης. Συμβουλευτείτε τις τοπικές, περιφερειακές & εθνικών κωδικών κτιρίου και την ηλεκτρική ενέργεια.
- Οι στατικοί σπινθήρες μπορεί να προκαλέσουν ανάφλεξη των εύφλεκτων υλικών και των ατμών.
- Η αντλία και οι συνδέσεις αναρρόφησης/εκκένωσης πρέπει να είναι γειωμένες, όταν χρησιμοποιούνται σε μέρος στο οποίο η περιβάλλουσα ατμόσφαιρα ενυοει την αυτανάφλεξη.
- Χρησιμοποιήστε τον ακροδέκτη της συνδετικής ταινίας που υπάρχει στο πλαίσιο ή το περίβλημα της αντλίας για τη σύνδεση σε μια καλή γηώση.
- Μετά τη γείωση, ελέγχετε περιοδικά την ηλεκτρική συνέχεια μέχρι τη γείωση. Ελέγξτε την ηλεκτρική συνέχεια μετρώντας με ένα ωμόμετρο την αντίσταση γείωσης από κάθε εξάρτημα (π.χ. εύκαμπτοι σωλήνες, αντλία, σφικκτήρες, δοχείο, κ.λπ.) μέχρι τη γείωση.
- Διατηρείτε τα εύφλεκτα ρευστά/υγρά μακριά από θερμότητα, φλόγες και σπινθήρες.
- Αν παρατηρηθούν αυξημένες θερμοκρασίες ή αυξημένα επίπεδα κραδασμών, απενεργοποιήστε την αντλία και μην τη χρησιμοποιήσετε μέχρι να ελεγχθεί ή/και επισκευαστεί.



ΠΕΡΙΣΤΑΛΙΚΕΣ ΑΝΤΛΙΕΣ

Πληροφορίες ασφάλειας προϊόντος

- Μην εκτελείτε εργασίες συντήρησης ή επισκευής σε περιοχή όπου υπάρχουν εκρηκτικές ατμόσφαιρες.
- Η διαρροή υγρών αποτελεί πιθανό κίνδυνο έκρηξης.
- Η ρήξη του εύκαμπτου σωλήνα μπορεί να προκαλέσει διαρροή υγρών και να δημιουργήσει δυνητικά εκρηκτικές ατμόσφαιρες.

ΘΕΣΗ ΤΗΣ ΑΝΤΛΙΑΣ ΣΕ ΛΕΙΤΟΥΡΓΙΑ

ΠΡΟΕΙΔΟΠΟΙΗΣΗ!

- Βεβαιωθείτε ότι η ηλεκτρική εγκατάσταση θα πραγματοποιηθεί από έναν εξειδικευμένο ηλεκτρολόγο.
- Ασφαλίστε/βάλτε προειδοποιητική σήμανση στην κεντρική παροχή ρεύματος για να αποτρέψετε την πιθανότητα της παροχής ρεύματος στην αντλία κατά την εγκατάσταση/συντήρηση.
- Οι ιδιοκτήτες/εργολάβοι της ηλεκτρικής εγκατάστασης θα πρέπει να καθορίσει το μέγεθος των καλωδίων τροφοδοσίας για να διασφαλιστεί ότι το κύκλωμα είναι ισορροπημένο και δεν υπερφορτώνεται από άλλον ηλεκτρικό εξοπλισμό.
- Η αντλία πρέπει να συνδέεται μόνο σε ηλεκτρικά συστήματα που είναι συμβατά με τα ηλεκτρικά χαρακτηριστικά της και των οποίων η ονομαστική ικανότητα συμπίπτει με αυτή της αντλίας. Απαγορεύεται η σύνδεση σε παροχή ρεύματος με ακατάλληλη τάση ή/και συχνότητα.
- Εγκαταστήστε ένα διακόπτη αποσύνδεσης κύριας γραμμής στην εισερχόμενη γραμμή. Η αντλία δεν διαθέτει ηλεκτρική συσκευή αποσύνδεσης. Ο ιδιοκτήτης είναι υπεύθυνος για το σχεδιασμό και την εγκατάσταση της προστασίας από αποσύνδεση, υπέρταση, βραχυκύκλωμα και υπερφόρτωση.
- Για οποιοδήποτε διαδικασία λειτουργίας/συντήρησης της αντλίας, θα πρέπει να βεβαιωθείτε ότι η αντλία δεν λειτουργεί και η ηλεκτρική παροχή είναι αποσυνδεδεμένη.
- Το σύστημα εκκίνησης του μοτέρ θα πρέπει να διαθέτει αναστροφή κατεύθυνσης, κουμπιέ διακοπής έναρξης και κουμπιέ διακοπής έκτακτης ανάγκης (μαζί με την αντλία) έτσι ώστε η χρήση της αντλίας να γίνεται με απόλυτη ασφάλεια.
- Να διασφαλίσετε πάντα ότι η τάση στην πινακίδα στοιχείων της αντλίας αντιστοιχεί στην τάση εγκατάστασης, πριν από τη σύνδεση της αντλίας σε μια πρίζα τοίχου ή σε μια ηλεκτρική παροχή. Αν δεν είστε βέβαιοι, ο έλεγχος της κατάστασης της αντλίας θα πρέπει να γίνεται από κάποιον εξουσιοδοτημένο ηλεκτρολόγο.
- Να αποσυνδέετε πάντα την αντλία από την ηλεκτρική παροχή πριν από τη συντήρηση, την επισκευή ή τη μετακίνηση, για να μειωθεί ο κίνδυνος ηλεκτροπληξίας.
- Παρέχετε κατάλληλους απαγωγείς γείωσης, διάκενου και αστραπής για όλα τα ηλεκτρικά εξαρτήματα.
- Ελέγξτε τις συνδέσεις γείωσης μετά την αρχική εγκατάσταση και περιοδικά έκτοτε για να διασφαλίσετε ότι διατηρούνται η καλή επαφή και η ηλεκτρική συνέχεια.

Χειρισμός

ΠΡΟΣΟΧΗ!

Ακολουθήστε αυτές τις οδηγίες κατά την ανύψωση της αντλίας:

- Ανυψώστε ολόκληρη την αντλία από τις σπές/τους δακτυλίους ανύψωσης μαζί με την πρόσθετη στήριξη στο μειωτήρα και το μοτέρ, χρησιμοποιώντας μάντες ή λουριά κατάλληλης ικανότητας ανύψωσης. Μην υπερβαίνετε ποτέ τα ανώτατα όρια του εξοπλισμού ανύψωσης.
- Χρησιμοποιείτε πάντα εξοπλισμό με σωστή ικανότητα ανύψωσης. Μην υπερβαίνετε ποτέ τα ανώτατα όρια του εξοπλισμού ανύψωσης.
- Η αντλία θα τείνει να έχει κλίση προς την πλευρά του περιβλήματος της αντλίας λόγω του κέντρου βάρους της. Βεβαιωθείτε ότι το προσωπικό βρίσκεται σε απόσταση ασφαλείας από την αντλία για την αποφυγή τυχόν κινδύνου τραυματισμού κατά την ανύψωση.
- Μην ανυψώνετε ποτέ την αντλία από τις συνδέσεις αναρρόφησης/εκκένωσης.

Εγκατάσταση

- Βεβαιωθείτε για το σωστό μοντέλο και τη σωστή διαμόρφωση της αντλίας πριν από την εγκατάσταση.
- Εγκαταστήστε την αντλία σε καλά αεριζόμενο μέρος μακριά από πηγές θερμότητας. Εξασφαλίστε αρκετό χώρο πίσω από το κάλυμμα του ανεμιστήρα του μοτέρ, ώστε να μην εμποδίζεται η εισαγωγή αέρα.
- Η θέση της αντλίας θα πρέπει να επιτρέπει την εύκολη πρόσβαση σε όλες τις εργασίες συντήρησης.
- Οι αντλίες ελέγχονται στο νερό κατά τη συναρμολόγηση. Εκπλύνετε την αντλία με συμβατό υγρό, πριν από την εγκατάσταση.
- Προστατέψτε την αντλία από εξωτερική ζημιά και μην τη χρησιμοποιείτε για τη δομική στήριξη του συστήματος σωληνώσεων. Βεβαιωθείτε ότι τα εξαρτήματα συστήματος στηρίζονται σωστά για την αποφυγή άσκησης πιέσεων στα εξαρτήματα της αντλίας.

ΠΛΗΡΟΦΟΡΙΕΣ ΑΣΦΑΛΕΙΑΣ ΠΡΟΪΟΝΤΟΣ ΧΡΗΣΗ ΤΗΣ ΑΝΤΛΙΑΣ

ΠΡΟΕΙΔΟΠΟΙΗΣΗ!

- Η μέγιστη επιφανειακή θερμοκρασία εξαρτάται από τις συνθήκες λειτουργίας του μοτέρ, της αντλίας και από την τριβή του εύκαμπτου σωλήνα. Μην υπερβαίνετε τα μέγιστα όρια θερμοκρασίας. Ανατρέξτε στο Εγχειρίδιο οδηγιών για τα μέγιστα όρια θερμοκρασίας.
- Η υψηλή πίεση μπορεί να προκαλέσει τραυματισμό, θάνατο, ζημιά στην αντλία ή υλικές ζημιές.



ΠΕΡΙΣΤΑΛΙΚΕΣ ΑΝΤΛΙΕΣ

Πληροφορίες ασφάλειας προϊόντος

- Βεβαιωθείτε ότι οι εύκαμπτοι σωλήνες σύνδεσης και τα άλλα εξαρτήματα σωλήνωσης αντέχουν στις πιέσεις υγρών που αναπτύσσονται από αυτή την αντλία.
- Μην υπερβαίνετε τη μέγιστη πίεση υλικού οποιουδήποτε εξαρτήματος στο σύστημα.
- Μην επισκευάζετε ή καθαρίζετε την αντλία και τους εύκαμπτους σωλήνες, ενώ λειτουργεί η αντλία.
- Ο εύκαμπτος σωλήνας μπορεί κατά την αντικατάστασή του να βγει έξω από το περίβλημα αντλίας πολύ γρήγορα και να προκαλέσει βλάβη. Δεν πρέπει να στέκεται κανείς από το προσωπικό μπροστά από την πλευρά αναρρόφησης/εκκένωσης της αντλίας κατά την αντικατάσταση του εύκαμπτου σωλήνα.
- Οι ζημιές της αντλίας λόγω κακής στερέωσης ή πίεσης των σωληνώσεων και εξωτερικών φθαρών μπορούν να προκαλέσουν διαρροή υγρού.
- Αν η στάθμη λιπαντικού της αντλίας δεν επαρκεί μπορεί να προκληθούν επιφανειακές θερμοκρασίες που υπερβαίνουν το συνιστώμενο όριο θερμοκρασίας της αντλίας. Ανατρέξτε στο Εγχειρίδιο οδηγιών για τις απαιτήσεις λίπανσης.
- Βεβαιωθείτε ότι όλοι οι χειριστές της αντλίας έχουν εκπαιδευτεί στις πρακτικές ασφαλούς εργασίας, κατανοούν τους περιορισμούς της και φορούν κατάλληλα γυαλιά, γυαλιά ασφαλείας και άλλα μέσα ατομικής προστασίας, όπως απαιτείται.

ΠΡΟΣΟΧΗ!

- Μην θέτετε την αντλία σε λειτουργία, πριν εγκαταστήσετε το μπροστινό κάλυμμα.
- Οι συνδέσεις αναρρόφησης και εκκένωσης πρέπει να είναι συμβατές με την ουσία που αντλείται.
- Αποφύγετε την περιττή φθορά της αντλίας. Μην αφήνετε την αντλία να λειτουργεί χωρίς υλικό για μεγάλα χρονικά διαστήματα.
- Αποσυνδέστε τη γραμμή ρεύματος από την αντλία, όταν το σύστημα παραμένει αδρανές για μεγάλα χρονικά διαστήματα.
- Ελέγξτε τη χημική συμβατότητα του εύκαμπτου σωλήνα και του υλικού παρεμβλήματος με την ουσία άντλησης. Η χημική συμβατότητα ενδέχεται να αλλάξει ανάλογα με τη θερμοκρασία και τη συγκέντρωση των χημικών στις ουσίες που αντλούνται. Για τη συμβατότητα συγκεκριμένων υγρών, συμβουλευτείτε τον παρασκευαστή των χημικών ουσιών.

Λειτουργία

ΠΡΟΕΙΔΟΠΟΙΗΣΗ!

- Βεβαιωθείτε ότι όλα τα συστήματα προστασίας (κάλυμμα, υαλοδείκτης, κάλυμμα ανεμιστήρα και προστασία σύζευξης) βρίσκονται στη θέση τους, πριν θέσετε την αντλία σε λειτουργία.
- Θέστε την αντλία σε λειτουργία μόνο αφού ελέγξετε σχολαστικά όλες τις ηλεκτρικές και μηχανικές συνδέσεις.
- Η ALBIN PUMP δεν εγγυάται τη διάρκεια ζωής του εύκαμπτου σωλήνα ή του προϊόντος/την πρόληψη απώλειας υγρών. Η εγκατάσταση ανιχνευτών απώλειας υγρών είναι ευθύνη του ιδιοκτήτη.
- Η ρήξη του εύκαμπτου σωλήνα μπορεί να έχει ως αποτέλεσμα το περίβλημα της αντλίας να γεμίσει με το προϊόν που αντλείται και το προϊόν να διαρρέει από την αντλία. Για την αποφυγή τέτοιων περιπτώσεων συνιστώνται ένας ανιχνευτής διαρροής και μια βαλβίδα αυτόματης διακοπής.
- Η ογκομετρική αντλία μπορεί να δημιουργήσει υψηλές πιέσεις ακόμα και σε περίπτωση μερικού φραγίσματος της γραμμής εκκένωσης. Βεβαιωθείτε ότι τα συστήματα προστασίας βρίσκονται στη θέση τους για την αποφυγή τυχόν φραγίσματος της γραμμής εκκένωσης. Ανατρέξτε στο Εγχειρίδιο οδηγιών για συστάσεις.
- Υπερβολική πίεση υλικού. Σε περίπτωση έκθεσης του υγρού των σωλήνων σε αυξημένες θερμοκρασίες, εν-δέχεται να προκληθεί θερμική διαστολή με αποτέλεσμα ρήξη του συστήματος. Τοποθετήστε μία βαλβίδα εκτόνωσης πίεσης στο σύστημα άντλησης.
- Επικίνδυνα υλικά. Μπορούν να προκαλέ- σουν σοβαρό τραυματισμό ή υλικές ζημιές. Μην επιχειρήσετε να επιστρέψετε στο εργοστάσιο ή στο κέντρο συντήρησης μία αντλία που περιέχει επικίνδυνο υλικό. Οι πρακτικές ασφαλούς χειρισμού πρέπει να συμμορφώνονται με την τοπική και εθνική νομοθεσία και τις απαιτήσεις των κανονισμών ασφαλείας.

ΣΗΜΕΙΩΣΗ: Ανατρέξτε στο εγχειρίδιο οδηγιών για αντλία & μοντέλο συγκεκριμένη ασφάλεια πληροφορίες.



ΠΕΡΙΣΤΑΛΙΚΕΣ ΑΝΤΛΙΕΣ

Πληροφορίες ασφάλειας προϊόντος

ΑΝΑΓΝΩΡΙΣΗ ΣΥΜΒΟΛΩΝ ΑΣΦΑΛΕΙΑΣ



Ζεστή
επιφάνεια



Στατικός
σπινθήρας
Κίνδυνος έκρηξης



Crushing
Hazard



Atex Equipment



Διαβάστε εγχειρίδια
που παρέχονται με το
προϊόν

ΕΠΕΞΗΓΗΣΗ ΤΩΝ ΛΕΞΕΩΝ ΠΟΥ ΔΗΛΩΝΟΥΝ ΠΡΟΕΙΔΟΠΟΙΗΣΗ

ΚΙΝΔΥΝΟΣ! Δηλώνει μία άμεσα επικίνδυνη κατάσταση η οποία, αν δεν αποτραπεί, θα προκαλέσει θάνατο ή σοβαρό τραυματισμό.

ΠΡΟΕΙΔΟΠΟΙΗΣΗ! Δηλώνει ενδεχόμενη επικίνδυνη κατάσταση η οποία, αν δεν αποτραπεί, θα μπορούσε να προκαλέσει θάνατο ή σοβαρό τραυματισμό.

ΠΡΟΣΟΧΗ! Δηλώνει ενδεχόμενη επικίνδυνη κατάσταση η οποία, αν δεν αποτραπεί, ενδέχεται να προκαλέσει ελαφρό ή μέτριο τραυματισμό ή υλικές ζημιές.

ΣΗΜΕΙΩΣΗ! Δηλώνει πληροφορίες ή μια πολιτική της εταιρίας που σχετίζεται άμεσα ή έμμεσα με την ασφάλεια του προσωπικού ή την προστασία της ιδιοκτησίας.

ΠΛΗΡΟΦΟΡΙΕΣ ΑΝΤΑΛΛΑΚΤΙΚΩΝ ΠΡΟΪΟΝΤΟΣ

ΠΡΟΣΟΧΗ!

Η χρήση άλλων εξαρτημάτων εκτός από τα γνήσια εξαρτήματα της ALBIN PUMP μπορεί να έχει σαν αποτέλεσμα προβλήματα ασφαλείας, μειωμένη απόδοση στο εργαλείο, και αύξηση συντήρησης, και μπορεί να ακυρωθούν όλες οι εγγυήσεις.

Οι επισκευές πρέπει να γίνονται από ειδικό προσωπικό. Επικοινωνήστε με τον πλησιέστερο Εξουσιοδοτημένο Αντιπρόσωπο της ALBIN PUMP. Το εγχειρίδιο αυτό συντάχθηκε στην αγγλική γλώσσα.

Η λήψη των εγχειριδίων μπορεί να γίνει από την ηλεκτρονική διεύθυνση www.albinpump.com

Για οποιαδήποτε ερώτηση αποστανθείτε στο πλησιέστερο Γραφείο ή Αντιπρόσωπο της ALBIN PUMP.



PERISTALTIČNE ČRPALKE

Informacije o varnem ravnanju z izdelkom

DESCRIÇÃO DO PRODUTO

Črpalka s peristaltično cevjo je električni rotacijski motor - ohišje črpalke vsebuje cev, ki je pod mehanskim pritiskom, in omogoča učinkovito črpanje. Te črpalke se uporabljajo za črpanje izdelkov, katerih skladnost s cevjo je potrebno preveriti pred delovanjem. Kakršna koli druga uporaba lahko povzroči škodo, hujše poškodbe ali smrt.

SPLOŠNE INFORMACIJE O VARNOSTI

OPOZORILO!

- Preden ne preberete priloženega priročnika ne operirajte s tem izdelkom.
 - Preberite vso dokumentacijo priloženo izdelku.
 - Če v dvomu glede namestitve, delovanja, pregleda ali vzdrževalnih navodil, se obrnite na podjetje ALBIN PUMP ali najbližjega dobavitelja.
 - Ne zavrzite priročnikov. Priročniki naj bodo na voljo osebjem.
- Izdelek namestite, preglejte in vzdržujte v skladu z veljavnimi standardi in predpisi (lokalnimi, državnimi, zveznimi, itd.)
- Med uporabo ali vzdrževanjem črpalke vedno nosite zaščitna očala.
- Med uporabo črpalke vedno nosite ustrezno opremo, ki ščiti sluh.
- Vedno nosite zaščitno opremo, ki ustreza črpalci in materialom, s katerimi delate. To lahko vključuje zaščito proti prahu ali druge dihalne aparate, varnostna očala, ušesne čepke, rokavice, predpasnik, zaščitno obutev, čelado in drugo opremo.
- Ne izvajajte prilagoditvenih del na črpalci, zaščitni opremi ali drugih dodatkih.
- Uporabljajte dodatke, ki jih priporoča podjetje ALBIN PUMP.

Prevoz in hramba

- Hraniti na suhem. Med hrambo, izdelka ne odstranjujte iz škatle / embalaže.
- Ne spustite ali poškodujte škatle / embalaže. Ravnajte previdno

ČRPALKE S PERISTALTIČNO CEVJO, KI SE LAHKO UPORABLJAJO V OKOLJU, KJER OBSTAJA MOŽNOST EKSPLOZIJ (ATEX)

Izjava o skladnosti, ki se nahaja v priročniku, navaja, da so nekatere črpalke v skladu z evropsko zakonodajo 2014/34/EC za opremo, ki se lahko uporablja v okolju, kjer obstaja možnost eksplozij, pogosto imenovana tudi Direktiva ATEX. Oznaka se nahaja na izdelku, v bližini ali na plošči s podatki (imenom), za posebno oznako ATEX. Izdelki, ki niso tako označeni, niso primerni za uporabo v okolju, kjer obstaja možnost eksplozij (ATEX). Glejte priročnik za nadaljnje opise določene naprave.

POSEBNI POGOJI ZA ČRPALKE UPORABLJENE V OKOLJU, KJER OBSTAJA MOŽNOST EKSPLOZIJ (ATEX)

OPOZORILO!

- Neupoštevanje teh »posebnih« pogojev lahko v morebitnem eksplozivnem okolju privede do samovžiga.
- V okolju kjer obstaja možnost eksplozij lahko uporabljate samo črpalke, ki so v skladu z EU »Direktivo ATEX«.
- Nekateri prašni delci lahko povzročijo samovžig ob stiku s toplo površino črpalke. Zagotovite ustrezno čiščenje, da preprečite kopičenje prahu na črpalci.
- Statične iskre lahko povzročijo eksplozijo, ki vodi do hujših poškodb ali smrti. Talna črpalka in črpalni sistem. Posvetujte lokalne, regionalne & nacionalni stavbe in električne kode.
- Statične iskre lahko vodijo do vžiga vnetljivih materialov in hlapov.
- Povezave črpalke in sesalnih povezav ter priključkov na izhodu, morajo biti med uporabo ozemljena, kadar je atmosfera takšna, da lahko privede do samovžiga.
- Uporabite vezico, ki se nahaja na okviru črpalke ali ohišju, da jo dobro povežete s talno površino.
- Ko ste črpalko ozemljili, redno preverjajte ali s tlemi obstaja nemoten tok električne povezave. Z merilnikom prevodnosti, ohmmetrom, preverite ali je vsak del (na primer cev, črpalka, objemka, posoda, itd.) varno ozemljena in zagotavlja nemoten tok.
- Vnetljive tekočine ne držite v bližini vročine, odprtega ognja ali isker.
- Če zaznate povišano temperaturo ali vibracije, zaprite črpalco in prenehajte z uporabo, dokler ni pregledana in / ali popravljena.
- V okolju, kjer je možnost eksplozije, ne opravljajte vzdrževalnih del ali popravil.
- Uhanjanje tekočin lahko povzroči nevarnost eksplozije.
- Če cev počl lahko pričnejo uhajati tekočine, ki ustvarjajo morebitno eksplozivno okolje.



PERISTALTIČNE ČRPALKE

Informacije o varnem ravnanju z izdelkom

MED NAMEŠČANJEM ČRPALKE

OPOZORILO!

- Namestitev elektrike naj opravi za to usposobljen električar.
- Zaklenite/označite glavni električni dotok, da preprečite dotok energije do črpalke med namestitvijo / vzdrževanjem.
- Lastnik / električni izvajalec mora določiti velikost napajalnih kablov, da je vezje uravnoteženo in ni preobremenjeno s strani druge električne opreme.
- Črpalko priključujte le na električne sisteme, ki so združljivi z njenimi električnimi značilnostmi, in katerih moč je znotraj meja njegove nazivne moči. Ne priključite na napajanje z nepravilno vrednostjo napetosti in/ali frekvence.
- Namestite glavno linijo in odklopite vhodno linijo. Črpalka ni opremljena z električno napravo za odklop. Lastnik je odgovoren za oblikovanje in izvedbo izključitve, prevelike napetosti, kratkega stika in zaščite pred preobremenitvijo.
- Ob kakršnem koli delu in vzdrževanju črpalke je potrebno zagotoviti, da je črpalka prenehala delovati in, da je dovod do električne energije prekinjen.
- Začetnemu sistemu motorja mora biti dodan inverter smeri, stop-start gumb in gumb za zasilno zaustavitev (skupaj s črpalko), tako da se s črpalko upravlja varno.
- Vedno se prepričajte, da se napetost na tablici črpalke ujema s podatki namestitvene napetost, pred prikljopom črpalke v vtičnico ali prikljopu na električno oskrbo. Če imate pomisleke, naj črpalko pregleda ali namesti za to usposobljen električar.
- Da bi zmanjšali tveganje električnega udara pred vzdrževanjem, popravitom ali prenikom, vedno odklopite črpalko od električnega vira.
- Zagotoviti ustrezne pogoje, odmike in napetostne odvodnike za vse električne komponente.
- Po prvotni namestitvi, redno pregledujte povezave za ozemljitev in tako zagotavljajte nemoten stik in kroženje.

Ravnanje

POZOR!

Med dvigovanjem črpalke upoštevajte spodnja navodila:

- Celotno črpalko, za dodatno podporo na opremi in motorju, dvignite z uporabo dvignihih lukenj / obročkov, in pri tem uporabite ustrezne trakove in podstavke.
- Vedno uporabite dvžno opremo ustrezne kapacitete. Nikoli ne presežite zgornje omejitve dvizne opreme.
- Črpalka se bo zaradi težišča nagnila proti strani motorja ohišja. Med dvigovanjem črpalke poskrbite, da je osebe na varni razdalji, saj s tem preprečite morebitne poškodbe.
- Črpalke nikoli ne dvigujte pri koncu sesalne povezave in priključku na izhodu.

Namestitev

- Preverite ali imate ustrezno črpalko / prilagoditve izvedite pred namestitvijo.
- Črpalko namestite v dobro zračenem okolju, izven dosega virov toplote. Zagotovite dovolj prostora za zračenje motorja, da pri tem ni oviran dovod zraka.
- Črpalka mora omogočati lahek dostop do vzdrževalnih funkcij.
- Delovanje črpalke se preveri v vodi ob sestavi. Črpalko pred namestitvijo napolnite z ustrezno tekočino.
- Črpalko zaščitite pred zunanjimi poškodbami in je ne uporabljajte za strukturno podporo cevnemu sistemu. Prepričajte se, da so komponente sistema ustrezno podprte in preprečujejo stres na delih črpalke.

MED UPORABO ČRPALKE

OZOPORILO!

- Najvišja temperatura površine je odvisna od pogojev delovanja motorja, črpalke in trenja cevi. Ne presežite omejitev najvišje dovoljene temperature. Glejte navodila za mejne temperaturne vrednosti.
- Visok pritisk lahko povzroči poškodbe, smrt, poškodbo črpalke ali materialno škodo.
- Poskrbite, da priključne cevi in druge komponente vzdržijo pritisk tekočin, ki ga razvije črpalka.
- Ne presežite največjega dovoljenega pritiska v kateri koli komponenti sistema.
- Ne opravljajte vzdrževalnih del na črpalki ali ceveh med njihovim delovanjem.
- Med menjavo cevi se lahko le-ta hitro izklopi iz črpalke in pri tem povzroči škodo. Osebe se, med menjavo cevi, ne sme nahajati pred sesalno povezavo ali priključkom na izhodu.
- Poškodbe na črpalki, ki nastanejo zaradi nepravilne namestitve ali stresa in zunanjih poškodb, lahko privedejo do uhajanja tekočine.
- Nezadostna stopnja maziva lahko, na črpalki, ustvarjajo površinske temperature višje od priporočene meje temperature črpalke. Glede zahtev količine maziv glejte priložnik za uporabo.
- Prepričajte se, da so bili vsi upravljavci črpalke usposobljeni za varno delo, poznajo njene omejitve in nosijo primerno zaščito vida, sluha ter drugo potrebno zaščito.



PERISTALTIČNE ČRPALKE

Informacije o varnem ravnanju z izdelkom

POZOR!

- Ne zaženite črpalke, če niste namestili naslovnice.
- Sesalne povezave in priključki na izhodu morajo ustrezati črpani snovi.
- Preprečite nepotrebno nastalo škodo na črpalci. Ne dovolite, da črpalka deluje dalj časa, ko je zmanjkalo materiala.
- Ko je sistem nedejaven dlje časa, daljnovid, odklopite od črpalke.
- Preverite kemijsko združljivost cevi in vstavite snov, ki jo boste črpali. Kemijska združljivost se lahko spremeni s spremembami temperature in količino kemikalij znotraj snovi, ki jo črpate. O podrobnejši združljivosti tekočin se posvetujte s proizvajalcem kemikalij.

Delovanje

OZOPORILO!

- Pred pričetkom črpanja zagotovite uporabo vse potrebne zaščitne opreme (kritje, zaščito vida, ventilacijsko čelado in zaščito sklopke).
- Z uporabo črpalke pričnite šele, ko temeljito preverite ustreznost vseh električnih in mehanskih povezav.
- Podjetje ALBIN PUMP ne zagotavlja življenjske dobe cevi ter preprečevanje izgube izdelka ali tekočin. Namestitvev detektorja izgube tekočin je odgovornost lastnika.
- Počena cev lahko povzroči polnjenje ohišja črpalke s črpano snovjo, in puščanje izdelka iz črpalke. Uporaba detektorja uhajanja tekočin in samodejnega zapornega ventila, sta priporočena, da preprečita tovrstne nezgode.
- Pri črpalci, zaradi prostornine, lahko nastane visok tlak že samo z delno blokado izhodne cevi. Zagotovite zaščito, da preprečite blokado izhodne cevi.
- Materialne pritiska: toplotne razteznosti lahko pride, ko tekočina v materialno vrstice je izpostavljen povišani temperaturi in lahko povzroči zlom sistem. Namestite ventili za sprostitve tlaka v sistemu črpanja.
- Nevarni pritisk. Lahko povzroči resne poškodbe ali materialno škodo. Črpalke, cevi ali razdeljevalnega ventila ne smete čistiti ali servisirati, če je sistem pod pritiskom.

OPOMBA : Glejte navodila za uporabo za črpalke & Model posebne varnostne informacije.



PERISTALTIČNE ČRPALKE

Informacije o varnem ravnanju z izdelkom

PREPOZNAVANOST VARNOSTNIH SIMBOLOV



Vroča Pov-
ršina



Statična Iskra
Nevarnost Eksplozije



Crushing
Hazard



Atex Equipment



Preberite Priložena
Priročniki z Izdelkom

POJASNILA ZA VARNOSTNA OPOZORILA

ΚΙΝΔΥΝΟΣ! Označuje neposredno nevarne okoliščine, v katerih lahko nastanejo hujše telesne poškodbe ali smrt.

ΠΡΟΕΙΔΟΠΟΙΗΣΗ! Označuje potencialno nevarne okoliščine, v katerih lahko nastanejo hujše telesne poškodbe ali smrt.

ΠΡΟΣΟΧΗ! Označuje potencialno nevarne okoliščine, v katerih lahko nastanejo lažje telesne poškodbe ali materialna škoda.

ΣΗΜΕΙΩΣΗ! Označuje informacije ali priporočila proizvajalca, ki se nanašajo neposredno ali posredno na varnost osebjia ali zaščito premoženja.

INFORMACIJE O SESTAVNIH DELIH IZDELKA

POZOR!

Uporaba nadomestnih delov, ki niso originalen izdelek podjetja ALBIN PUMP, lahko povzroči ogrožanje varnosti pri uporabi, zmanjšanje zmogljivosti orodja, povečanje stroškov vzdrževanja in lahko pomeni razveljavitev vseh jamstev proizvajalca.

Popravila naj izvaja le pooblaščen usposobljeno osebje. Pokličite najbližji pooblaščen servisni center podjetja ALBIN PUMP.

Izvirni jezik tega priročnika je angleščina.

Priročnike lahko snamete s spletne strani www.albinpump.com

Morebitne pripombe, vprašanja ali ideje lahko sporočite najbližjemu zastopniku podjetja ALBIN PUMP.



PERISTALTICKÉ ČERPADLÁ

Bezpečnostné informácie o výrobku

DESCRIÇÃO DO PRODUTO

Peristaltické hadicové čerpadlo je rotačné objemové čerpadlo poháňané elektromotorom. Obsahuje hadicu, ktorá je na dosiahnutie čerpania postupne mechanicky stláčaná. Tieto čerpadlá sa používajú na čerpanie produktov, ktorých kompatibilita s hadicou musí byť pred prevádzkou overená. Akékoľvek iné použitie môže mať za následok poškodenie zariadenia a/alebo vážne poranenie alebo smrť.

VŠEOBECNÉ BEZPEČNOSTNÉ POKYNY PRE VÝROBKOV

VAROVANIE!

- Výrobok nepoužívajte, kým si neprečítate návody dodané s týmto výrobkom.
 - Prečítajte si všetku dokumentáciu dodanú s výrobkom.
 - Ak máte pochybnosti ohľadne pokynov na inštaláciu, prevádzku, kontrolu a údržbu, kontaktujte spoločnosť ALBIN PUMP alebo najbližšieho dodávateľa.
 - Návody nezahadzujte. Návody uchovávajte ľahko dostupné pre všetok personál.
- Inštaláciu, obsluhu, kontroly a údržbu tohto výrobku vykonávajúce vždy v súlade so všetkými platnými normami a predpismi (miestnymi, štátnymi, regionálnymi, federálnymi atď.)
- Pri používaní alebo údržbe tohto čerpadla vždy pracujte s pomôckou na ochranu očí.
- Pri používaní čerpadla vždy pracujte s protihlukovou ochranou uší.
- Vždy používajte osobné ochranné pomôcky vhodné pre používanie čerpadla a prečerpávaný materiál. Môže sa napr. jednáť o dýchací prístroj chrániaci pred účinkami prachu alebo inú pomôcku chrániacu dýchacie cesty, bezpečnostné okuliare, zátky do uší, rukavice, zásteru, bezpečnostnú obuv, príslušenstvo ďalšie prostriedky.
- Neupravujte čerpadlo, bezpečnostné zariadenia ani príslušenstvo.
- Používajte jedine príslušenstvo odporúčané spoločnosťou ALBIN PUMP.

Prerava a skladovanie

- Skladujte na suchom mieste. Počas skladovania nevyberajte produkt zo škátule/obalu.
- Sdajte pozor, aby vám škátula/obal nespadol na zem alebo sa nepoškodil. S výrobkom manipulujte opatrne.

PERISTALTICKÉ HADICOVÉ ČERPADLÁ POUŽÍVANÉ V POTENCIÁLNE VÝBUŠNÝCH PROSTREDIACH (ATEX)

Prehlásenie o zhode uvedené v tomto návode na obsluhu potvrdzuje, že niektoré modely čerpadiel spĺňajú požiadavky smernice EÚ 2014/34/EC pre zariadenia určené na použitie v potenciálne výbušných prostrediach, známej pod názvom ATEX. Špecifické označenie ATEX nájdete na štítku na výrobku, ktorý je umiestnený blízko štítku s údajmi (názvom) alebo na ňom. Výrobky, ktoré nie sú takto označené, nie sú vhodné na použitie v potenciálne výbušnom prostredí (ATEX). Podrobnejší popis modelu nájdete v návode na obsluhu

ŠPECIÁLNE PODMIENKY PRE ČERPADLÁ POUŽÍVANÉ V POTENCIÁLNE VÝBUŠNÝCH PROSTREDIACH (ATEX)

VAROVANIE!

- V prípade nedodržania ktorejkoľvek z týchto špeciálnych podmienok môže dôjsť k vznieteniu potenciálne výbušného ovzdušia.
- Jedine modely čerpadiel, ktoré vyhovujú požiadavkám smernice EÚ ATEX, sa môžu používať v potenciálne výbušných prostrediach.
- Určité prachy sa pri prekročení limitných teplôt na povrchoch čerpadla môžu vznietiť. Zaisťte riadne čistenie, aby nedochádzalo k hromadeniu prachu na čerpadle.
- Statické iskrenie môže spôsobiť výbuch a viesť k vážnemu poraneniu alebo smrti. Čerpadlo a čerpací systém uzemnite. Konzultovať miestne, regionálne & národné kódy budovy a elektriny.
- Statické iskrenie môže spôsobiť vznietenie horľavého materiálu a pár.
- Čerpadlo a sacie/vypúšťacie prípojky musia byť uzemnené, ak sa používajú na miestach, kde okolitá atmosféra podporuje spontánne horenie.
- Na pripojenie k dobrému uzemňovaciemu bodu použite očko na spojovací pásik, ktoré sa nachádza na ráme alebo kryte čerpadla.
- Po uzemnení pravidelne kontrolujte, či nedošlo k prerušeniu uzemnenia. Pomocou ohmmetra kontrolujte, či sú jednotlivé súčasti zariadenia (napr. hadice, čerpadlo, svorky, zásobník atď.) správne uzemnené.
- Zaisťte, aby sa horľavé kvapaliny nedostali do kontaktu s horúcimi dielmi, otvoreným plameňom a zdrojom iskrenia.
- V prípade zvýšenia teploty alebo zosilnenia vibrácií čerpadlo vypnite a pred ďalším použitím ho skontrolujte alebo zabezpečte jeho opravu.
- Údržbu ani opravy nevykonávajte v priestoroch s výbušným ovzduším.
- Unikajúce kvapaliny môžu spôsobiť potenciálne nebezpečenstvo výbuchu.
- Pretrhnutá hadica môže spôsobiť únik kvapaliny a vytvoriť potenciálne výbušnú atmosféru.



PERISTALTICKÉ ČERPADLÁ

Bezpečnostné informácie o výrobku

PRI UVÁDZANÍ ČERPADLA DO PREVÁDZKY

VAROVANIE!

- Zabezpečte, aby inštaláciu elektrických súčastí vykonal kvalifikovaný elektrikár.
- Uzamknite a označte hlavný elektrický zdroj, aby sa zabránilo možnosti pustenia prúdu do čerpadla počas inštalácie/údržby. Majiteľ alebo dodávateľ elektriny musí nadimenzovať prírodné káble, aby sa zabezpečilo, že obvod bude vyvážený a nebude preťažený inými elektrickými zariadeniami.
- Čerpadlo môže byť pripojené len k elektrickému systému, ktoré sú kompatibilné s jeho elektrickými vlastnosťami a pracujú v rámci jeho menovitej kapacity. Kompresor nepripájajte na zdroj elektriny s nesprávnym napätím alebo frekvenciou.
- Na prírodné vedenie nainštalujte hlavný vypínač. Čerpadlo nie je vybavené zariadením na vypnutie prívodu prúdu. Majiteľ je zodpovedný za návrh a inštaláciu ochrany pred odpojením, prepätím, skratom a preťažením.
- Pri akomkoľvek zásahu do čerpadla alebo jeho údržbe je potrebné, aby ste skontrolovali, či je čerpadlo vypnuté a odpojené od prívodu elektrickej energie.
- Systém spustenia motora musí byť vybavený prepínačom smeru, tlačidlom zastavenia/spustenia a tlačidlom núdzového vypnutia (spolu s čerpadlom) tak, aby mohlo byť čerpadlo prevádzkované s úplnou bezpečnosťou.
- Pred pripojením čerpadla do zásuvky v stene alebo zapojením do elektrického napájania sa vždy uistite, že sa napätie na údajovom štítku čerpadla zhoduje s napätím pri inštalácii. Ak máte pochybnosti, nechajte si čerpadlo skontrolovať a nainštalovať kvalifikovaný elektrikár.
- Aby ste znížili nebezpečenstvo zasiahnutia elektrickým prúdom, pred údržbou, opravou alebo premiestnením vždy odpojte prívod energie do čerpadla.
- Pre všetky elektrické súčasti zabezpečte vhodné uzemnenie, voľný priestor a bleskoisťky.
- Po prvej inštalácii skontrolujte spoje uzemnenia a potom pravidelne kontrolujte udržiavanie dobrého kontaktu a vodivosti.

Manipulácia

VYSTRAHA!

Pri zdvíhaní čerpadla postupujte podľa týchto pokynov:

- Zdvíhajte celé čerpadlo pomocou závesných dier/kružkov a prídavnej podpory na prevodovke a motore pomocou správne dimenzovaných popruhov alebo remeňov.
- Používajte len zdvíhacie prostriedky s náležitou kapacitou. Nikdy neprekračujte horné limity zdvíhacích prostriedkov.
- Čerpadlo bude mať sklon nakláňať sa smerom na stranu krytu čerpadla v dôsledku jeho ťažiska. Keď je čerpadlo zdvihnuté, skontrolujte, či sú všetky osoby v bezpečnej vzdialenosti od čerpadla, aby sa zabránilo nebezpečenstvu zranenia.
- Nikdy nezdvíhajte čerpadlo za jeho sacie/vypúšťacie prípojky.

Montáž

- Pred inštaláciou overte správnosť modelu/konfi gurácie čerpadla.
- Čerpadlo inštalujte na dobre vetranom mieste ďaleko od tepelných zdrojov. Zaisťte dostatok priestoru za krytom ventilátora motora tak, aby nebolo zabránené prívodu vzduchu.
- Poloha čerpadla musí umožňovať jednoduchý prístup na vykonanie všetkých činností údržby.
- Čerpadlá sa testujú počas výroby vo vode. Pred inštaláciou prepláchnite čerpadlo kompatibilnou tekutinou.
- Chráňte čerpadlo pred vonkajším poškodením a nepoužívajte čerpadlo ako nosnú časť potrubného systému. Overtre si, či sú súčasti systému riadne podopreté, aby nedochádzalo k namáhaniu dielov čerpadla.

PRI POUŽÍVANÍ ČERPADLA

VAROVANIE!

- Maximálna povrchová teplota závisí od prevádzkových podmienok motora, čerpadla a trenia hadice. Neprekračujte maximálne teplotné limity. Maximálne teplotné limity sú uvedené v návode na obsluhu.
- Vysoký tlak môže spôsobiť poranenie osôb, smrť, poškodenie čerpadla alebo škody na majetku.
- Uistite sa, že pripojky hadíc a ďalšie súčasti rozvodov sú schopné odolať tlaku vytváranému čerpadlom.
- Neprekračujte maximálny tlak materiálu ktorejkoľvek komponentu v systéme.
- Neopravujte a nečistite čerpadlo ani hadice, keď je čerpadlo spustené.
- Počas výmeny hadíc môže dôjsť k náhlemu a rýchlemu uvoľneniu hadice z krytu čerpadla a k následnému úrazu. Pri výmene hadíc sa pred sacou/vypúšťacou stranou čerpadla nesmú nachádzať žiadne osoby.
- Poškodenie čerpadla spôsobené nesprávnou montážou alebo namáhaním potrubia a externé poškodenie môžu spôsobiť únik kvapaliny.
- Nedostatočná hladina maziva v čerpadle môže spôsobiť vyššiu teplotu povrchu, ako je odporúčaný teplotný limit čerpadla. Požiadavky na mazanie sú uvedené v návode na obsluhu.
- Zaisťte, aby všetci pracovníci obsluhujúci čerpadlo boli poučení o bezpečných pracovných postupoch, rozumeli prevádzkovým obmedzeniam a tam, kde je to požadované, používali vhodné prostriedky na ochranu očí, uší a ďalšie prostriedky osobnej ochrany



PERISTALTICKÉ ČERPADLÁ

Bezpečnostné informácie o výrobku

VYSTRAHA!

- Nespúšťajte čerpadlo, kým nie je nainštalovaný predný kryt.
- Sacie a vypúšťacie prípojky musia byť kompatibilné s látkou, ktorá je prečerpávaná.
- Dbajte na to, aby nedochádzalo k zbytočnému poškodzovaniu čerpadla. Nenechávajte čerpadlo bežať dlhšiu dobu bez čerpaného média.
- Ak systém nebude dlhší čas používaný, odpojte čerpadlo od elektrického vedenia.
- Overte chemickú kompatibilitu hadice a vložkového materiálu s prečerpávanou látkou. Chemická kompatibilita sa môže líšiť v závislosti od teploty a koncentrácie chemikálií obsiahnutých v prečerpávanej látke. Informácie o špecifických kvapalinách si vyžiadajte od výrobcu chemikálie.

Prevádzka

VAROVANIE!

- Pred uvedením čerpadla do prevádzky skontrolujte, či sú všetky ochranné časti (kryt, priesor, kryt ventilátora a ochrana prípojky) na mieste.
- Čerpadlo uveďte do prevádzky len vtedy, ak sú dôkladne skontrolované všetky elektrické a mechanické prípojky.
- Spoločnosť ALBIN PUMP neručí za životnosť hadíc ani prevenciu pred stratami produktu/kvapaliny. Je na zodpovednosti majiteľa nainštalovať detektory straty kvapaliny.
- Pretrhnutá hadica môže spôsobiť, že sa kryt čerpadla naplní čerpaným produktom, a únik produktu z čerpadla. Aby sa predišlo takýmto prípadom, odporúča sa použiť detektor úniku a automatický uzatvárací ventil.
- Objemové čerpadlo môže vytvárať vysoké tlaky už aj pri čiastočnom blokovaní odtokového potrubia. Skontrolujte, či sú ochranné časti na mieste, aby sa predišlo akémukoľvek blokovaniu odtokového potrubia.
- Nadmerný tlak média. Keď sa teplota kvapaliny vo výstupnom potrubí zvyšuje, dochádza k tepelnej expanzii, ktorá môže spôsobiť roztrhnutie systému. V čerpacom systéme nainštalujte poistný ventil.
- Nebezpečné materiály. Môže spôsobiť vážne poranenia alebo poškodenie majetku. Nepokúšajte sa vrátiť výrobcovi alebo servisnému centru čerpadlo obsahujúce nebezpečné médium. Bezpečný postup pri manipulácii so zariadením musí zodpovedať miestnym a národným zákonom a bezpečnostným požiadavkám.

OZNAMENI: Odkazujú na návod na použitie čerpadla & Model osobitné bezpečnostné informácie.



PERISTALTICKÉ ČERPADLÁ

Bezpečnostné informácie o výrobku

BEZPEČNOSTNÉ SYMBOLY



Horúci povrch



Statické iskrenie
Nebezpečenstvo
výbuchu



Nebezpečenstvo
pomliaždenia



Atex Equipment



Prečítajte si Dodáva príručky S produktom

VYSVETLENIE BEZPEČNOSTNÝCH SIGNÁLOV

NEBEZPEČENSTVO! Označuje hroziacu nebezpečnú situáciu, ktorá v prípade, že sa jej nezabráni, bude mať za následok smrť alebo vážny úraz.

VAROVANIE! Označuje potenciálne nebezpečenstvo, ktoré v prípade, že sa mu nezabráni, môže mať za následok smrť alebo vážne poranenie osoby.

VYSTRAHA! Označuje potenciálnu hroziacu situáciu, ktorá v prípade, že sa jej nezabráni, môže skončiť ľahkým alebo ťažším úrazom alebo zničením majetku.

OZNAMENIE! Označuje informácie alebo vyhlásenia spoločnosti, ktoré priamo alebo nepriamo súvisia s bezpečnosťou osôb alebo ochranou majetku.

POPIS DIELOV VÝROBKU

VYSTRAHA!

Použitie iných náhradných dielov než originálnych dielov ALBIN PUMP môže priniest riziká z hľadiska bezpečnosti, môže mať za následok zníženie výkonnosti náradia a zvýšenie nárokov na údržbu a tiež zrušenie všetkých záruk.

Opravy by mali byť realizované iba riadne vyškolenými autorizovanými odborníkmi. S otázkami sa obracajte na najbližšie autorizované servisné stredisko ALBIN PUMP.

Pôvodným jazykom tejto príručky je angličtina.

Príručky si môžete stiahnuť z webovej adresy www.albinpump.com

Všetky otázky adresujte na najbližšiu kanceláriu ALBIN PUMP alebo na distribútora.



PŘI UVÁDĚNÍ ČERPADLA DO PROVOZU

Bezpečnostní informace o výrobku

POPIS PRODUKTU

Peristaltické čerpadlo je elektromotorem poháněné otočné čerpadlo s kladným výtlačkem a hadicí, která je postupně mechanicky stlačována, aby mohlo docházet k čerpání. Tento typ čerpadel se používá k čerpání produktů, jejichž kompatibilitu s hadicí je nutné před uvedením do provozu ověřit. Použití pro jiné účely může vést k poškození zařízení nebo způsobit vážné zranění či dokonce smrt.

VŠEOBECNÉ BEZPEČNOSTNÍ POKYNY K VÝROBKU

VAROVANI!

- Zařízení neuvádějte do provozu, dokud si nepřečtete návody dodané společně s produktem.
- Přečtěte si veškerou dokumentaci, která je součástí dodávky produktu.
- Pokud si nejste jisti instalací, provozem, kontrolou nebo údržbou zařízení, kontaktujte společnost ALBIN PUMP nebo nejbližšího distributora.
- Ušchovejte si návody pro budoucí použití. Uložte návody na místě, kde budou k dispozici veškerému personálu.
- Tento výrobek vždy instalujte, provozujte, kontrolujte a udržujte v souladu se všemi platnými normami a předpisy (místní, státní, federální atd.).
- Při použití nebo údržbě čerpadla vždy pracujte s ochranou očí.
- Při použití čerpadla vždy pracujte s protihlukovou ochranou uší.
- Vždy používejte osobní ochranné pomůcky vhodné pro čerpadlo a materiál, se kterým pracujete. Může jít například o respirátor nebo jinou pomůcku chránící dýchací cesty, bezpečnostní brýle, klapky na uši, rukavice, zástěru, bezpečnostní obuv, přilbu a další.
- Čerpadlo, bezpečnostní zařízení nebo příslušenství neupravujte.
- Používejte jen příslušenství doporučené společností ALBIN PUMP.

Přeprava a skladování

- adujte na suchém místě. Při skladování nechte produkt v krabici nebo obalu.
- Dejte pozor, aby krabice nebo obal nespadl na zem nebo aby nebyl poškozen. Manipulujte s nimi opatrně.

PERISTALTICKÁ ČERPADLA POUŽÍVANÁ V POTENCIÁLNĚ VÝBUŠNÝCH PROSTŘEDÍCH (ATEX)

Prohlášení o shodě uvedené v tomto návodu k obsluze potvrzuje, že tyto modely čerpadel splňují požadavky směrnice Evropské unie 2014/34/EC pro zařízení určená k použití v potenciálně výbušných prostředích, která jsou známa pod zkratkou ATEX. Přečtěte si označení ATEX na štítku výrobku umístěném v blízkosti datového štítku (štítku s názvem). Produkty, které nejsou tímto způsobem označeny, nejsou určeny k použití v potenciálně výbušném prostředí (ATEX). Další popis modelu je uveden v návodu k obsluze.

SPECIÁLNÍ PODMÍNKY PLATNÉ PRO ČERPADLA POUŽÍVANÁ V POTENCIÁLNĚ VÝBUŠNÝCH PROSTŘEDÍCH (ATEX)

VAROVANI!

- Při nerespektování kterékoli z těchto speciálních podmínek může dojít ke vznici potenciálně výbušného prostředí.
- V potenciálně výbušných prostředích mohou být použity pouze modely čerpadel vyhovující "směrnici ATEX" Evropské unie.
- Pokud teplota povrchu čerpadla dosahuje krajních hodnot, může dojít ke vznici některých typů prachu. Aby nedocházelo k hromadění prachu na čerpadle, je třeba provádět pravidelné čištění.
- Statická elektřina může způsobit výbuch vedoucí k vážnému poranění osob nebo k jejich usmrcení. Uzemnění čerpadla a čerpacího systému. Konzultovat místní, regionální a národní budovy a elektrifiny kódy.
- Jiskry mohou způsobit vznici hořlavého média a par.
- Čerpadlo a sací a výtlačné vedení musí být při použití v místě, kde okolní atmosféra podporuje spontánní hoření, uzemněno.
- Použijte uchyť spojovacího pásku na rámu nebo skříni čerpadla pro připojení k dobrému zemnicímu bodu.
- Po uzemnění pravidelně kontrolujte, zda nedošlo k přerušení zemnicí cesty. Kontrolujte pomocí ohmmetru, zda jsou jednotlivé komponenty (např. hadice, čerpadlo, svorky, zásobník atd.) řádně uzemněny.
- Zajistěte, aby se hořlavé kapaliny nedostaly do kontaktu s horkými díly, otevřeným ohněm a zdrojem jiskření.
- Pokud zjistíte, že teplota nebo úroveň vibrací překročila únosnou hodnotu, čerpadlo vypněte a nepoužívejte jej, dokud nebude provedena kontrola a případná oprava.
- Neprovádějte údržbu nebo opravy v prostoru, kde se nachází výbušné prostředí.
- Únik kapalin může způsobit nebezpečí výbuchu.
- Při prasknutí hadice může dojít k úniku kapaliny a vzniku potenciálně výbušného prostředí.



PŘI UVÁDĚNÍ ČERPADLA DO PROVOZU

Bezpečnostní informace o výrobku

UVEDENÍ ČERPADLA DO PROVOZU

VAROVANIE!

- Ujistěte se, že elektrickou instalaci provádí odborný elektrikář.
- Zablokujte nebo vypněte hlavní elektrické napájení, abyste zabránili možnosti spuštění napájení čerpadla během instalace nebo údržby.
- Majitel nebo dodavatel elektrické energie musí dimenzovat napájecí kabely tak, aby zajistil, že je obvod vyvážený a není zatížený jiným elektrickým zařízením.
- Čerpadlo může být připojeno pouze k elektrickým systémům, které jsou kompatibilní s jeho elektrickými vlastnostmi a pracují v rámci jeho jmenovité kapacity. Nepřipojujte čerpadlo k elektrickému napájení s nesprávným napětím nebo frekvencí.
- Na přívodní vedení instalujte odpojovací spínač. Čerpadlo není vybaveno odpojovacím elektrickým zařízením. Za rozvržení a instalaci odpojovací ochrany, ochrany proti přepětí, zkratu a přetížení zodpovídá majitel.
- Při údržbě čerpadla nebo práci na něm musí být čerpadlo zastaveno a zdroj elektrického napájení odpojen.
- Systém startování motoru musí být dodán spolu s měničem směru, tlačítkem dočasného zastavení a tlačítkem nouzového zastavení čerpadla (společně s čerpadlem), aby byla zajištěna absolutní bezpečnost čerpadla.
- Před zapojením kabelu čerpadla do zásuvky na zdi nebo připojením čerpadla k jinému zdroji elektrického napájení ověřte, zda hodnota napětí uvedená na štítku čerpadla odpovídá hodnotě napětí instalace. Pokud si nejste jisti, musí být kontrola a instalace čerpadla provedena oprávněným elektrikářem.
- Před zahájením údržby, opravy nebo přesunu čerpadla vždy odpojte čerpadlo od zdroje napájení, aby nedošlo k úrazu elektrickým proudem.
- Zajištěte vhodné uzemnění a svodiče vůle a napětí všech elektrických zařízení.
- Po instalaci a poté v pravidelných intervalech kontrolujte přípojky uzemnění, aby nedošlo k porušení správného kontaktu a aby zůstala zachována spojitost obvodu.

Manipulace

UPOZORNENI!

Při zvedání čerpadla postupujte podle následujících pokynů:

- Zvedněte celou jednotku čerpadla pomocí zvedacích otvorů nebo kroužků a dalších pomůcek na převodovce a motoru a správně dimenzovaných pásků nebo vázacích zařízení.
- Použité zvedací zařízení musí mít odpovídající kapacitu. Nikdy nepřekračujte horní limity zvedacího zařízení.
- Čerpadlo bude mít tendenci překlápět se vlivem těžistiže na skříň. Ujistěte se, zda se obsluhující personál pohybuje v bezpečné vzdálenosti od zvedaného čerpadla, aby nedošlo ke zranění.
- Čerpadlo nikdy nezvedejte za sací a výtlačné vedení.

Instalace

- Před instalací čerpadla si ověřte správnost modelu a konfi gurace.
- Čerpadlo instalujte v dobře větraném prostoru a v dostatečné vzdálenosti od zdrojů tepla. Za krytem ventilátoru nechte dostatečný prostor, aby nedocházelo k blokování přívodu vzduchu.
- Poloha čerpadla musí umožňovat snadné provádění všech údržbových prací. Při instalaci zemnicího drátu použijte dodaný spojovací pásek.
- Čerpadla jsou při výrobě testována ve vodě. Před instalací čerpadlo propláchněte vhodnou kapalinou.
- Chraňte čerpadlo před vnějšími poškozeními a nepoužívejte čerpadlo jako nosnou část potrubního systému. Ověřte si, zda jsou komponenty systému řádně podepřeny, aby nedocházelo k namáhání dílů čerpadla.

POUŽITÍ ČERPADLA

VAROVANI!

- Maximální povrchová teplota závisí na provozních podmínkách motoru, čerpadla a těnění hadice. Nepřekračujte maximální teplotní limity. Maximální teplotní limity jsou uvedeny v návodu k obsluze.
- Vysoký tlak může způsobit poranění nebo smrt osob, poškození čerpadla nebo škody na majetku.
- Ujistěte se, že spojovací hadice a další komponenty jsou schopné odolat tlaku kapaliny vytvořené tímto čerpadlem.
- Nepřekračujte maximální tlak materiálu kteréhokolí komponentu v systému.
- Neprovádějte servis nebo čištění čerpadla a hadic za provozu čerpadla.
- Při výměně hadice se ze skříňe čerpadla může hadice velice rychle uvolnit a způsobit škody. Při výměně hadice se na straně sacího a výtlačného vedení čerpadla nesmí nacházet žádné osoby.
- Poškození čerpadla v důsledku nesprávné montáže nebo namáhání potrubí a externího poškození může vést k úniku kapaliny.
- Při nedostatečné hladině maziva v čerpadle mohou povrchové teploty překročit doporučený teplotní limit. Požadavky na promazání jsou uvedeny v návodu k obsluze.
- Zajištěte, aby všichni pracovníci obsluhující čerpadlo byli poučeni o bezpečných pracovních postupech, porozuměli provozním omezením čerpadla a tam, kde je to požadováno, používali bezpečnostní brýle, ochranu sluchu a jiné osobní ochranné pomůcky.



PŘI UVÁDĚNÍ ČERPADLA DO PROVOZU

Bezpečnostní informace o výrobku

UPOZORNENÍ!

- Čerpadlo nespouštějte, pokud není namontován čelní kryt.
- Sací a výtlačné vedení musí být kompatibilní s čerpanou látkou.
- Dbejte na to, aby nedocházelo ke zbytečnému poškození čerpadla. Nenechte čerpadlo běžet dlouhou dobu bez čerpaného média.
- Pokud nebude systém delší dobu používán, odpojte napájecí vedení od čerpadla.
- Ověřte si, jaká je chemická kompatibilita hadice, vnitřního plnicího materiálu a čerpané látky. Chemická kompatibilita se může měnit v závislosti na teplotě a koncentraci chemikálii obsažených v čerpané látce. Informace o kompatibilitě konkrétních kapalin si vyžádejte od výrobce chemikálie.

Provoz

VAROVANI!

- Ujistěte se, zda jsou všechny ochranné pomůcky (kryt, kontrolní okénko, kryt ventilátoru a ochrana spojky) při provozu čerpadla na místě.
- Čerpadlo spusťte teprve po důkladné kontrole mechanických a elektrických spojů.
- Společnost ALBIN PUMP nenese odpovědnost za životnost hadice nebo prevenci úniku kapalin. Za instalaci snímačů úniku kapalin je zodpovědný vlastník.
- Při prasknutí hadice může dojít k naplnění skříně čerpadla čerpaným produktem a k úniku produktu z čerpadla. Snímač úniku kapalin a automaticky uzavírací ventil slouží jako dobrá prevence tohoto problému.
- V objemovém čerpadle se může při částečném ucpání výtlačného potrubí akumulovat vysoký tlak. Aby k ucpání výtlačného potrubí nedocházelo, ujistěte se, zda jsou všechny ochranné pomůcky při provozu na místě.
- Nadměrný tlak média. Když se teplota kapaliny ve výstupním potrubí zvyšuje, dochází k tepelné expanzi, která může způsobit roztržení systému. V čerpacím systému instalujte pojistný ventil.
- Nebezpečná média. Může vést k vážnému poranění nebo poškození majetku. Nepokoušejte se vrátit výrobci nebo servisní organizaci čerpadlo obsahující nebezpečné médium. Postupy pro bezpečnou manipulaci musejí odpovídat místním a národním zákonům a bezpečnostním požadavkům.

POZNAMKA : Najdete návodů k obsluze čerpadla a Model konkrétní bezpečnostní informace.



PŘI UVÁDĚNÍ ČERPADLA DO PROVOZU

Bezpečnostní informace o výrobku

IDENTIFIKACE BEZPEČNOSTNÍCH SYMBOLŮ



Horký povrch



Statická elektrina
Nebezpečí výbuchu



Nebezpečí rozdrčení



Atex Equipment



Přečtěte si Dodávající příručky s produktem

VYSVĚTLENÍ BEZPEČNOSTNÍCH SIGNÁLŮ

NEBEZPEČÍ! Označuje bezprostřední nebezpečí, které, pokud nejsou učiněna příslušná opatření, může způsobit smrt nebo vážné poranění osoby.

VAROVANÍ! Označuje potenciální nebezpečí, které, pokud nebudou učiněna příslušná opatření, by mohlo způsobit smrt nebo vážné poranění osoby.

UPOZORNĚNÍ! Označuje potenciální nebezpečí, které, pokud nebudou učiněna příslušná opatření, může způsobit drobné nebo mírné poranění osob nebo škody na majetku.

POZNAMKA! Označuje informace nebo sdělení společnosti, které přímo nebo nepřímo souvisí s bezpečností osob nebo ochranou majetku.

POPIS DÍLŮ VÝROBKU

UPOZORNĚNÍ!

Použití jiných náhradních dílů než originálních dílů ALBIN PUMP může přinést rizika z hlediska bezpečnosti, může mít za následek snížení výkonnosti nářadí a zvýšení nároků na údržbu a také zrušení všech záruk.

Opravy by měly být prováděny pouze řádně vyškolenými autorizovanými odborníky. S dotazy se obraťte na nejbližší autorizované servisní středisko ALBIN PUMP.

Výchozím jazykem této příručky je angličtina.

Příručky si můžete stáhnout z webové adresy www.albinpump.com

Veškeré dotazy směrujte na nejbližší kancelář ALBIN PUMP nebo na distributora.



PERISTALTI PUMBAD

Toote ohutusteave

TOOTE KIRJELDUS

Voolikump on elektrimootoriga käitavat rotatsioonmahtpump, mis sisaldab voolikut, mida pumpamise saavutamiseks järjepidevalt mehaaniliselt suruõhuga täidetakse. Neid pumpe kasutatakse selliste toodete pumpamiseks, mille ühilduvalt vooliku komponentidega tuleb enne töö alustamist kontrollida. Mis tahes muul viisil kasutamine võib põhjustada seadmete kahjustusi ja/või raskeid vigastusi või surma

TOOTE ÜLDINE OHUTUSTEAVE

HOIATUS!

- Ärge kasutage toodet enne, kui olete tutvunud sellega kaasnevate kasutusjuhenditega.
- Lugege läbi kogu tootega kaasasolev dokumentatsioon.
- Paigaldus-, kasutus-, kontrollimis- ja hooldustoimingute kahtluste korral võtke ühendust ettevõttega ALBIN PUMP või lähima edasimüüjaga.
- Ärge visake kasutusjuhendeid minema. Hoidke kasutusjuhendid personali jaoks alati kättesaadaval.
- Paigaldage, kasutage, kontrollige ja hooldage käesolevat toodet kõigi asjakohaste standardite ning (kohalike, piirkondlike, riiklike, föderaalsete jne) eskirjajade kohaselt.
- Pumbaga töötamisel ja hooldustööde tegemise ajal kandke alati kaitseprille.
- Pumba kasutamise ajal kandke alati kõrvaklappe.
- Kandke alati isiklikke kaitsevahendeid vastavalt kasutatavale pumbale ja töödeldavale materjalile. Nende hulka võivad kuuluda tolmu mask või respiraator, kaitseprillid, kõrvatrohid, kindad, põll, turvajalatsid, kiiver või mõni muu kaitsevahend.
- Ärge muutke pumba, ohutus- ega abiseadmeid.
- Kasutage ALBIN PUMPI soovitatud tarvikuid.

Transport ja hoidmine

- Hoidke toodet kuivas kohas. Ärge võtke seda hoidmise ajal karbist / pakendist välja.
- Ärge pillake karpi/pakendit maha. Käsitsege seda ettevaatlikult.

POTENTSIAALSELT PLAHVATUSOHTLIKUS PIIRKONNAS KASUTATAVAD VOOLIKPUMBAD (ATEX)

Käesolevas juhendis sisalduv Euroopa Ühenduse vastavusdeklaratsioon kinnitab, et pumba mõned mudelid vastavad Euroopa Ühenduse direktiivile 2014/34/EC (edaspidi ATEX-direktiiv) potentsiaalselt plahvatusohtlikus piirkonnas kasutatavate seadmete kohta. Spetsiifilised ATEX-normid leiate tootel olevalt sildilt, mis paikneb andme(nime-)plaadi lähisel või peal. Sellise märgisega mitte tähistatud tooted ei sobi potentsiaalselt plahvatusohtlikes piirkondades (ATEX) kasutamiseks. Mudeli täiendava kirjelduse leiate kasutusjuhendist.

POTENTSIAALSELT PLAHVATUSOHTLIKUS PIIRKONNAS (ATEX) KASUTATAVATE PUMPADE ERITINGIMUSED

HOIATUS!

- Suvalise eritingimuse mittetäitmine võib põhjustada plahvatusohtliku piirkonna süttimise.
- Plahvatusohtlikes keskkondades tohib kasutada ainult EL-i ATEX-direktiivile vastavaid pumbamudelleid.
- Teatud liiki tolmu võivad pumba pinna piirtemperatuuridel süttida. Kindlustage töökoha korrasolek, et vältida tolmu kogunemist pumbale.
- Staatiline säde võib põhjustada plahvatuset, mille tagajärjeks on tõsine vigastus või surm. Maandage pump ja pumbasüsteem. Konsulteerida kohalike, piirkondlike ja riiklike ehitus-, elektri- ja koodid.
- Staatilised sädemed võivad süüdata kergsüttiva aine ning auru.
- Pump ja sisseememis-/tühjendusühendused tuleb maandada, kui seadet kasutatakse isesisüütmist soodustavas ümbruses.
- Ühendage pumba raamil või korpusel olev maanduskäpp korraliku maanduskohaga.
- Pärast maanduse paigaldamist kontrollige perioodiliselt elektrilise maahenduse pidevust. Pidevuse kontrolliks testige oommeetriga takistust igi komponendi (nt voolikute, pumba, klambrite, konteineri jne) ning maa vahel.
- Hoidke kergsüttivad vedelikud kuumusest, lahtisest tules ja sädemetest eemale.
- Kõrgenenud temperatuuri või vibratsioonitaseme tõusu avastamisel lülitage pump välja ja katkestage selle kasutamine, kuni teostatakse vastav ülevaatus ja/või remont.
- Ärge tehke hooldus- ega remonditöid piirkonnas, kus võib tekkida plahvatusoht.
- Lekkivad vedelikud võivad põhjustada potentsiaalselt plahvatusohtliku olukorra.
- Vooliku rebenemisel võib vedelik lekkima hakata ja põhjustada potentsiaalselt plahvatusohtliku olukorra.



PERISTALTI PUMBAD

Toote ohutusteave

PUMBA KASUTUSELEVÖTT

HOIATUS!

- Veenduge, et elektrisüsteemi paigaldust teostab kutseline elektrik.
- Lülitage välja/märgistage elektri põhitoidu, et vältida toite rakendamist pumba paigaldamise/hooldamise ajal.
- Omanik/elektrisüsteemi ettevõtja peab tegema mõttekaablid parajaks, et veenduda, et koormus on tasakaalus ja ei häiri teiste elektrisüsteemide tööd.
- Ühendage pump ainult sellisesse elektrisüsteemi, mis ühildub seadme elektriliste nimiaandmetega ja on piisava võimsusega. Ärge ühendage elektrisüsteemi, millel on teine pinge/või sagedus.
- Ühendage põhilini väljalüliti sissetuleva liiniga. Pump ei ole varustatud elektri kaitseseadmega. Omanik vastutab lahtiühendamise, ülepinge, lühiühenduse ja ülepinge kaitse projekteerimise ja paigaldamise eest.
- Enne pumba kasutamist/hooldamist on vajalik veenduda, et pump on peatatud ja elektritoidu on eraldatud.
- Mootori käivitusüsteem tuleb varustada suunavaheldi, käivituspeatusnupu ja avariinupuga (koos pumbaga), et pumba saaks täiesti ohutult kasutada.
- Veenduge enne pumba elektritoiduga ühendamist alati, et pumba andmeplaadil toodud pingeandmed vastavad elektritoidu pingeandmetele. Kui te pole selles kindel, laske litsentseeritud elektrikul pumba kontrollida ja see paigaldada.
- Elektrilöögi ohu vältimiseks eraldage pumba toide enne hooldus-, remonttööde sooritamist või selle teismaldamist.
- Kasutage kõigi elektrikomponentide jaoks sobivaid maandusühendusi, kontrolli ja piksekaitsi.
- Kontrollige maandusühendust pärast esialgset paigaldamist ning seejärel perioodiliselt ning veenduge, et kontakt on hea ja pidev.

Käsitsemine

ETTEVAATUST!

Pumba töstmiseks järgige järgnevat juhiseid:

- Tõstke pump käikukastil ja mootoril paiknevate tõsteasade/-rõngaste ja sobiva kandevõimega rihmade abil ülles.
- Kasutage alati piisava kandevõimega tõstevarustust. Ärge ületage tõstevarustuse piirväärtusi.
- Raskuskeskme paiknemise tõttu kaldub pump pumba korpuse poole. Vigastusohu vältimiseks veenduge, et personal püsib pumba töstmise ajal ohutus kauguses.
- Ärge kunagi tõstke pumba selle sisseimemis-/tühjendusühenduste abil.

Paigaldamine

- Enne paigaldamist veenduge pumba mudeli / konfi guratsiooni korrektsuses.
- Paigaldage pumba hea ventilatsiooniga kohta ja eemale kütteilikatest. Jätke mootori ventilatsioonikatte taha piisavalt ruumi, et mitte blokeerida õhu sissevõtuava.
- Pumba asukoht peab võimaldama hõlpsat ligipääsu hooldustööde sooritamiseks.
- Monteerimisel testitakse pumpasid vees. Enne paigaldamist loputage pump läbi sobiva vedelikuga.
- Kaitske pumba välise kahjustuste eest ning ärge kasutage pumba torustiku kandekonstruktsiooni osana. Kontrollige, kas süsteemi komponendid on korralikult toetatud, nii et pumba osad ei ole mehaanilise pinge all.

PUMBA KASUTAMISE AJAL

HOIATUS!

- Pumba välispinna maksimumtemperatuur oleneb mootori ja pumba töötingimustest ning voolikute hõõrdumisest. Ärge ületage temperatuuri piirväärtusi. Temperatuuri piirväärtused leiate kasutusjuhendist.
- Kõrge surve võib põhjustada inimeste vigastusi, surma ning pumba või omandi kahjustusi.
- Veenduge, et ühendusvoolikud ja muud torukomponendid peavad vastu vedeliku rõhule, mida antud pump rakendab.
- Ärge ületage süsteemi ühegi komponendi korral maksimaalset materjali rõhku.
- Ärge hooldage ega puhastage pumba ja voolikuid pumba töötamise ajal.
- Vooliku vahetamisel võib voolik pumba korpusest väga kiiresti eralduda ja vigastusi põhjustada. Vooliku vahetamisel ei tohi keegi pumba sisseimemis-/tühjenduspoole ees olla.
- Ebaõigest paigaldusest või torustiku koormusest ning väliskahjustusest põhjustatud pumba rike võib tekitada vedeliku lekke.
- Ebaipisav määrdaine kogus pumbas võib põhjustada pinnatemperatuuride soovitatud piirnormidest kõrgemaks tõusmist. Nõuded määrdainete kohta leiate kasutusjuhendist.
- Veenduge, et kõik pumba kasutajad on läbinud ohutu tööpraktika, mõistavad pumba limiite ja kannavad sobivaid kaitseprille, kõrvaklappe ja muid vajalikke kaitsevahendeid.



PERISTALTI PUMBAD

Toote ohutusteave

ETTEVAATUST!

- Ärge käivitage pumpa enne, kui olete paigaldanud esikatte.
- Sisseimemis- ja tühjendusühendused peavad ühilduma pumatava ainega.
- Vältige pumba soovimatut kahjustamist. Ärge jätke pumba tööle väga pikaks ajaks või siis, kui aine on otsas.
- Kui süsteem jääb pikemaks ajaks seisma, ühendage toiteliin pumba küljest lahti.
- Veenduge vooliku ja pumatava aine keemilises sobivuses. Pumatava aine keemiline kokkusobivus võib temperatuurist ja kemikaali(de) kontsentratsioonist olenevalt muutuda. Konsulteerige konkreetse vedeliku kokkusobivuse asjus kemikaali valmistajaga.

Paigaldamine

HOIATUS!

- Enne pumba kasutamist veenduge, et kõik kaitsevahendid (kate, vaateklaas, ventilaatorikate ja liitmike katted) on omal kohal.
- Käivitage pump alles pärast seda, kui olete kõik elektrilised ja mehaanilised ühendused põhjalikult üle vaadanud. ALBIN PUMP ei garanteeri vooliku kasutusaega ega toote/vedeliku kao vältimist. Vedelikukao detektorid peab paigaldama omanik.
- Vooliku rebenemisel võib pumba korpus täituda pumatava ainega ning lekkida seda ainet korpusest välja. Selliste juhtude vältimiseks soovime kasutada lekkedetektorit ja automaatset sulgeklappi.
- Pumbas võib tekkida kõrge surve, mille võib põhjustada isegi vaid osaliselt ummistunud väljutusliin. Väljutusliini ummistuste vältimiseks veenduge vastavate kaitsevahendite olemasolus.
- Aine ülemäärane rõhk. Kanalites oleva vedeliku kokkupuutel tõusva temperatuuriga toimub termiline paisumine, mis võib põhjustada süsteemi purunemise. Paigaldage pumbasüsteemi kaitseklapp.
- Ohtlikud ained. Võib põhjustada tõsise vigastuse või materiaalse kahju. Ärge üritage tagastada tehasesse või teeninduskeskusesse pumpa, mis sisaldab.
- Ohtlikku ainet. Turvalised töövõtted peavad vastama kohalikele ning riiklikele eeskirjadele ja ohutusnõuetele

TÄHELEPANU : Vaadake kasutusjuhendi Pump & mudel ohutuse saamiseks.



PERISTALTI PUMBAD

Toote ohutusteave

OHUTUSTINGMÄRKIDE TÄHENDUS



Tuline pind



Staatiline säde
Plahvatusoht



Purunemisoht



Atex Equipment



Loe käsiraamatus
Mis Toode

OHUTUSSIGNAALIDE SELGITUS

NEBEZPECI! Osutab vahetult ohtlikule olukorrale, mille tagajärjeks võib olla surm või tõsine vigastus.

VAROVANI! Osutab potentsiaalselt ohtlikule olukorrale, mille tagajärjeks võib olla surm või tõsine vigastus.

UPOZORNENI! Osutab potentsiaalselt ohtlikule olukorrale, mille tagajärjeks võib olla väiksem või keskmine vigastus või varaline kahju.

POZNAMKA! Osutab teabele või firma poliitikale, mis puudutab otseselt või kaudselt personali ohutust ning vara kaitset.

TEAVE TOOTE OSADE KOHTA

ETTEVAATUST!

Muude varuosade kasutamine peale ALBIN PUMP i originaalosade võib tekitada ohutusriske, vähendada tööriista jõudlust ja tõsta hoolduse vajadust ning see võib tühistada kõik garantiid.

Remonti võib teostada ainult volitatud kvalifitseeritud personal. Pöörduge lähima ALBIN PUMPI volitatud teeninduskeskuse poole.

Käesoleva juhendi originaalkeeleks on inglise keel.

Teatmikke saab alla laadida aadressilt www.albinpump.com

Lisateabe saamiseks pöörduge firma ALBIN PUMP lähima büroo või edasimüüja poole.



PERisztaltikus szivattyúk

A termék biztonsági információja

TERMÉKLEÍRÁS

A perisztaltikus tömlős szivattyú egy villamos motor által hajtott forgó üritéses szivattyú, amelynek tömlője mechanikusan rendre összenyomódik a szivattyúzó hatás elérése érdekében. Ezeket a szivattyúkat termékek szivattyúzásához használják, melyeknek a tömlővel való kompatibilitásukat működés előtt ellenőrizni kell. Minden egyéb használat a berendezés károsodását és/vagy súlyos sérülést vagy halált okozhat.

A TERMÉK BIZTONSÁGOS HASZNÁLATÁRA VONATKOZÓ ÁLTALÁNOS INFORMÁCIÓK

VIGYASAT!

- Ne működtesse a termékhez adott útmutató(k) elolvasása előtt.
- Olvassa el a termékhez adott teljes dokumentációt.
- Ha a telepítési, használati, vizsgálati és karbantartási útmutatásokkal kapcsolatban kérdései lennének, lépjen kapcsolatba az ALBIN PUMP dal vagy a legközelebbi forgalmazóval.
- Az útmutatókat ne dobja el. Az útmutatókat tartsa könnyen elérhető helyen minden alkalmazott számára.
- A termék telepítésénél, használatánál, vizsgálatánál és a karbantartása során mindig a vonatkozó (helyi, állami, országos, szövetségi stb.) szabványokkal és előírásokkal összhangban járjon el.
- A szivattyú használata vagy karbantartása közben mindig használjon védőszemüveget.
- A szivattyú használata közben mindig használjon hallásvédő felszerelést.
- Mindig a használt terméknek és a megmunkált anyagnak megfelelő személyi védőfelszerelést alkalmazzon. Ez lehet porvédő maszk vagy más légzőfelszerelés, védőszemüveg, fül dugó, kesztyű, kötény, védőlábellen, védősisak vagy egyéb biztonsági eszköz.
- Ne végezzen módosítást a szivattyún, a biztonsági berendezéseken vagy a tartozékokon.
- Használja az ALBIN PUMP által javasolt tartozékokat.

Szállítás és tárolás

- Száraz helyen tárolja. A terméket a tárolás során ne távolítsa el a dobozából/csomagolásából.
- Ne dobja vagy rongálja a dobozt/csomagolást. Bánjon vele óvatosan.

ROBBANÁSVESZÉLYES KÖRNYEZETBEN (ATEX) HASZNÁLT PERISZTALTIKUS TÖMLŐJŰ SZIVATTYÚK

Az ebben a kezelési útmutatóban található Megfelelőségi nyilatkozat megállapítja, hogy ezek a szivattyúmodellek megfelelnek az Európai Közösség 2014/34/EC számú, a potenciálisan robbanásveszélyes környezetben való használatra szánt berendezésekre vonatkozó, közismert nevén ATEX irányelv előírásainak. Az ATEX jelölést illetően lásd a terméknek az adattábla közelében vagy a rajta található címkéjét. Az ily módon meg nem jelölt termékek nem alkalmasak potenciálisan robbanásveszélyes környezetben (ATEX) való használatra. További modellek leírásai a kezelési útmutatóban találhatók.

A POTENCIÁLISAN ROBBANÁSVESZÉLYES KÖRNYEZETBEN (ATEX) HASZNÁLT SZIVATTYÚK SPECIÁLIS FELTÉTELEI

VIGYASAT!

- E "Speciális feltételek" bármelyikének be nem tartása a potenciálisan robbanásveszélyes környezetben robbanást idézhet elő.
- Potenciálisan robbanásveszélyes környezetben csak az EU "ATEX irányelvének" megfelelő szivattyúmodelleket szabad használni.
- Néhány porfajta a szivattyú felületének hőmérsékleti határain meggyulladhat. Megfelelő gondoskodással előzze meg por lerakódását a szivattyún.
- Az elektrosztatikus szikrák súlyos sérülést vagy halált okozó robbanást válthatnak ki. Följelje le a szivattyút és a szivattyúrendszert. Forduljon a helyi, regionális és nemzeti épület és a villamos energia-kódok.
- Az elektrosztatikus szikrák lángra lobbantathatják a gyúlékony anyagokat és gőzöket.
- A szivattyút és a bemeneti/kimeneti csatlakozásokat öngyulladás elősegítő környezetben való használat esetén földelni kell.
- A szivattyút a szivattyúkereten vagy -házon levő földelőfűlőhöz csatlakozó földelővezeték használatával kösse össze a jó földelésel.
- Földelés után rendszeresen ellenőrizze a földeléshez vezető áramkör folytonosságát. A folytonosság biztosítására végezzen mérést ellenállásmérővel az összes alkotórész (pl. tömlők, szivattyú, bilincsek, tartály stb.) és a föld között.
- A gyúlékony folyadékokat tartsa távol a hőtől, nyílt lángtól és szikráktól.
- Túl magas hőmérséklet vagy vibrációs szint észlelésekor kapcsolja ki a szivattyút, és annak ellenőrzéséig és/vagy javításáig szüntesse meg a csatlakozását.
- Robbanásveszélyes környezetben ne végezzen karbantartást és javítást.
- A szivárgó folyadékok robbanásveszélyt okozhatnak.
- A tömlőszakadás gyúlékony anyagok szivárgását és potenciálisan robbanásveszélyes környezet keletkezését idézheti elő.



PERisztaltikus szivattyúk

A termék biztonsági információja

A SZIVATTYÚ ÜZEMBE HELYEZÉSE

VIGYASAT!

- Ügyeljen rá, hogy az elektromos bekötést képzett villanyszerelő végezze.
- A fő elektromos tápellátást válassza le, és lássa el jelzéssel, megelőzve ezzel annak a lehetőségét, hogy a szivattyú a telepítés során áram alá kerüljön.
- A tulajdonosnak/villanyszerelő alvállalkozónak mértenie kell a tápkábeleket annak biztosítása céljából, hogy az áramkör kiegyensúlyozott legyen, és más elektromos berendezés ne terhelhesse túl.
- A szivattyút csak olyan elektromos rendszerekhez szabad csatlakoztatni, amelyek kompatibilisek a gép elektromos jellemzőivel, és képesek biztosítani számára szükséges teljesítményt. Ne csatlakoztassa nem megfelelő feszültségű és/vagy frekvenciájú tápforráshoz.
- Szereljen egy fővonalai megszakítót a bemeneti kábelbe. A szivattyú nincs felszerelve elektromos megszakító eszközzel. A tulajdonos felel a megszakító, valamint a túlfeszültség, rövidzárlat és túlterhelés elleni védelem kivételzéséért és beszereléséért.
- A szivattyú használata/karbantartása esetén meg kell győződni arról, hogy a szivattyú le van állítva és áramtalanítva van.
- A szivattyú indítórendszerét el kell látni irány inverterrel, leállító / indító gombbal és vészlellyel leállító gombbal (a szivattyúval együtt) oly módon, hogy a szivattyút teljes biztonságban lehessen használni.
- Mielőtt a szivattyút fali aljzathoz vagy tápforráshoz csatlakoztatná, mindig ügyeljen arra, hogy a szivattyú adatlapján feltüntetett feszültség megfeleljen a telepítési feszültségnek. Ha bizonytalan ebben, kérjen meg egy szakképzett villanyszerelőt, hogy vizsgálja meg és telepítse a szivattyút.
- Karbantartás, javítás vagy áthelyezés esetén az elektromos áramütés veszélyének csökkentése érdekében mindig áramtalanítsa a szivattyút.
- Biztosítson megfelelő földelést, távolságot és túlfeszültség-levezetőt minden elektromos alkatrésznél.
- Ellenőrizze a földelési csatlakozásokat az első telepítést követően, majd rendszeres időközönként, hogy biztosítva legyen a megfelelő érintkezés és elektromos vezetés.

Kezelés

FIGYELEM!

A szivattyú felemelésekor kövesse ezeket az útmutatásokat:

- A komplett szivattyút az emelőjűkarnál/-gyűrűknél fogva emelje fel, és a hajtóműhöz és a motorhoz alkalmazzon további biztosítást megfelelő erősségű szíjak vagy hevederek segítségével.
- Mindig megfelelő teherbírású emelőberendezést alkalmazzon. Soha ne lépje túl az emelőberendezés felső határértékét.
- Súlypontja következtében a szivattyú megdől a szivattyúburkolat oldala irányába. Ellenőrizze, hogy a személyzet biztonságos távolságban van a szivattyútól, hogy az emelés során elkerülje a sérülés veszélyét.
- Soha ne emelje a szivattyút a bemeneti/kimeneti csatlakozásainál fogva.

Telepítés

- Telepítés előtt ellenőrizze a megfelelő modellt/konfi gurációt.
- A szivattyút jól szellőző területen, hőforrásoktól távol telepítse. Hagyjon elegendő helyet a motorhűtőfedél mögött, hogy ne akadályozza a levegő beszívását.
- A szivattyú helyzetének minden karbantartási tevékenységhez könnyű hozzáférhetőséget kell biztosítani.
- A szivattyúkat az összeszerelésnél vízben tesztelik. Telepítés előtt öblítse át a szivattyút kompatibilis folyadékkal.
- Óvja a szivattyút a külső károsodástól, és ne használja a csőrendszer szerkezeti tartójaként. A szivattyúalkatrészek igénybevételeének megelőzése érdekében győződjön meg a rendszer elemeinek megfelelő rögzítéséről.

A SZIVATTYÚ HASZNÁLATA

VIGYASAT!

- A maximális felületi hőmérséklet a motor és a szivattyú működési feltételeitől és a tömlő sűrűdásától függ. Ne lépje túl a maximális hőmérsékleti határértékeket. A maximális hőmérsékleti határértékek a kezelési útmutatóban találhatóak.
- A nagy nyomás személyi sérülést, halált, szivattyúkárosodást vagy vagyoni kárt okozhat.
- Bizonyosodjon meg róla, hogy a csatlakozó tömlők és más csőalkatrészek elviselik a szivattyú által létrehozott folyadéknyomást.
- Ne lépje túl a rendszer egyetlen alkatrészének maximális anyagnyomásértékét sem.
- Soha ne javítsa vagy tisztítsa a szivattyút és a tömlőket a szivattyú működése közben.
- Tömlőcsere közben a tömlő igen gyorsan kijöhet a szivattyúházból, és kárt okozhat. A tömlő kicserélésekor senki sem tartózkodhat a szivattyú bemeneti/kimeneti oldala előtt.
- A szivattyú helytelen szerelése vagy csőigénybevétel és külső károk miatti károsodása folyadékzivárgáshoz vezethet.
- A szivattyú elégtelen kenőanyagszintje a szivattyú ajánlott hőmérsékleti határértékét meghaladó felületi hőmérsékletet idézhet elő. A kenőanyaggal kapcsolatos előírások a kezelési útmutatóban találhatóak.
- Győződjön meg róla, hogy a berendezés minden kezelője megkapta a biztonságos munkavégzésre vonatkozó kiképzést, megértette annak biztonsági korlátait, továbbá szükség esetén biztonsági védőszemüveget/hallásvédőt és egyéni védőeszközt visel.



PERISZTALTIKUS SZIVATTYÚK

A termék biztonsági információja

VESZELY!

- Ne indítsa el a szivattyút, mielőtt előzőleg fel nem szerelte a fedőlapot.
- A szivó- és nyomóoldali csatlakozások feleljenek meg a szivattyúzott anyagnak.
- Előzze meg a szivattyú szükségtelen károsodását. Ne engedje hosszú ideig üresen járni a szivattyút.
- Ha a rendszer hosszú ideig nem működik, szerelje le az áramvezetékét a szivattyúról.
- Ellenőrizze a tömlő és a behelyezett anyag vegyi kompatibilitását a szivattyúzott anyaggal. A vegyi kompatibilitás a hőmérséklettől és a szivattyúzott anyag(ok)ban levő vegyszerek koncentrációjától függően változhat. A specifikus folyadékkompatibilitást illetően forduljon a vegyszer gyártójához.

Működtetés

VIGYASAT!

- A szivattyú működtetése előtt győződjön meg róla, hogy minden védőelem (fedél, nézőüveg, hűtőfedél és tengelykapcsoló-védő) a helyén van.
- A szivattyú működtetését csak azután kezdje meg, hogy minden elektromos és mechanikus kapcsolatot alaposan ellenőrizte.
- A tömlő élettartamát/a folyadékvesztés megelőzését az ALBIN PUMP nem szavatolja. A folyadékvesztés-érzékelők felszerelése a tulajdonos felelőssége.
- A tömlőszakadás következtében a szivattyúburkolat megtelhet a szivattyúzott termékkel és a termék elszivároghat a szivattyúból.
- Ennek megakadályozása érdekében ajánlatos a szívárgásérzékelő és automatikus leállító szelep alkalmazása.
- A volumetrikus szivattyúban az őrítővezetéknek akár csak részleges elzáródása esetén is magas nyomás jöhet létre. Gondoskodjon az őrítővezeték elzáródását megakadályozó védelemről.
- Túl magas anyagnyomás. Ha az anyagszállító vonalakat megemelt hőmérsékletnek tesszük ki, hőtágulás és a rendszer törése következik be. Szereljen nyomáscsökkentő szelepet a szivattyúrendszerbe.
- Veszélyes anyagok. Súlyos sérülést vagy dologi kárt okozhatnak. Veszélyes anyagot tartalmazó szivattyút ne kíséreljen meg visszaküldeni a gyárba vagy a szervizközpontba. A biztonságos kezelés gyakorlata feleljen meg a helyi és nemzeti törvényeknek, illetve a biztonságra vonatkozó előírásoknak.

MEGJEGYZÉS: Olvassa el a használati utasítás a Pump & modell különleges biztonsági információk.



PERISZTALTIKUS SZIVATTYÚK

A termék biztonsági információja

BIZTONSÁGI SZIMBÓLUMOK JELMAGYARÁZATA



Forró felület



Elektrosztatikus szikrák Robbanásveszély



Zúzódasveszély



Atex Equipment



Olvassa termékkel szállított a Termék

A BIZTONSÁGI VONATKOZÁSÚ SZAVAK JELENTÉSE

VESEZELY! Olyan küszöbön álló veszélyes helyzetre utal, amely, ha nem kerülik el, halálhoz vagy súlyos sérüléshez vezethet.

VIGYASAT! Olyan lehetséges veszélyes helyzetre utal, amely, ha nem kerülik el, halálhoz vagy súlyos sérüléshez vezethet.

FIGYELEM! Olyan lehetséges veszélyes helyzetre utal, amely, ha nem kerülik el, könnyű vagy közepes sérüléshez illetve vagyoni kárhoz vezethet.

MEGJEGYZES! A személyi biztonsághoz illetve vagyonvédelemhez közvetlenül vagy közvetve kapcsolódó információt vagy vállalati irányelvet jelöl.

TÁJÉKOZTATÓ A TERMÉK ALKATRÉSZEIRŐL

FIGYELEM!

A nem eredeti ALBIN PUMP pótalkatrészek használata biztonsági kockázatot, csökkent teljesítményt és megnövekedett karbantartási igényt jelenthet, továbbá érvénytelenítheti a garanciákat. A javításokat csak feljogosított és gyakorlott személyzet végezheti. Lépjen kapcsolatba az ALBIN PUMP legközelebbi feljogosított szervizközpontjával.

Ezen kézikönyv eredetileg angol nyelven íródott.

A kézikönyvek letöltési címe: www.albinpump.com

Közölnivalóit juttassa el a legközelebbi ALBIN PUMP irodához vagy terjesztőhöz.



PERISTALTINIAI SIURBLIAI

Gaminio saugos informacija

PRODUKTŲ APRAŠYMAS

Peristaltinis siurblys su žarna – elektriniu varikliu varomas, rotacinis, talpinis siurblys, turintis žarną, kuri paeilui suspaudžiama mechaniniu būdu, kad būtų atliekamas pumpavimas. Šie siurbliai naudojami pumpuoti produktams, tačiau šių medžiagų tinkamumą siurbliui prieš naudojant reikia patikrinti. Naudojant įrenginį kitais tikslais, gali būti pažeista įranga ir (arba) sukelta rimta trauma ar mirtis.

BENDROJI INFORMACIJA APIE GAMINIO AAUGĄ

LSPĖJIMAS!

- Nenaudokite siurblio, neperskaitę vadovo (-ų), kurie pateikiami kartu su siurbliu.
- Perskaitykite visą su siurbliu pateikiamą dokumentaciją.
- Kreipkitės į ALBIN PUMP® ar artimiausią platintoją, jei kyla abejonių dėl montavimo, naudojimo ar techninės priežiūros instrukcijų.
- Neišmeskite pateiktų vadovų. Vadovai turi būti prieinami visiems darbuotojams.
- Visada montuokite, naudokite, apžiūrėkite ir techniškai prižiūrėkite šį siurblių pagal taikomus standartų ir reglamentų (vietinius, regiono, šalies ir t.t.) reikalavimus.
- Naudojami ar atidkami šio siurblio remonto darbus, visada užsidėkite apsauginius akinius.
- Dirbdami su siurbliu būtinai užsidėkite apsaugines ausines.
- Dirbdami su siurbliu ir tam tikromis medžiagomis, visada naudokite asmens saugos priemones. Tai gali būti priešdukinė puskaukė ar kitoks respiratorius, apsauginiai akiniai, ausų kištukai, pirštinės, prijuostė, apsauginė avalynė, šalmas ir kita įranga.
- Neperdarykite siurblio, jo saugos įtaisų arba priedų.
- Naudokite ALBIN PUMP® rekomenduojamus priedus.

Transportavimas ir Sandėliavimas

- Sandėliuokite įrenginį sausoje patalpoje. Sandėliavimo metu neišimkite siurblio iš dėžės / pakuotės.
- Nenumeskite arba nepažeiskite dėžės / pakuotės. Būkite atsargūs.

PERISTALTINIAI SIURBLIAI SU ŽARNA NAUDOJAMI POTENCIALIAI SPROGIOSE APLINKOSE (ATEX)

Šoje instrukcijoje pateikta atitikties deklaracija nurodo, kad kai kurie siurblio modeliai atitinka Europos Bendrijos įrangos direktyvą 2014/34/EC dėl įrangos, naudojamos potencialiai sprogyje aplinkoje; ši direktyva dažnai vadinama ATEX direktyva. Vadovaukitės produkto žymėjimais, esančias šalia ar duomenų (pavadinimo) lentelėse, kuriose pateiktas atitinkamas ATEX žymėjimas. Produktai, nepažymėti tokiais ženklais, netinkami naudojimui jokioje potencialiai sprogyje aplinkoje (ATEX). Tolesnis modelio aprašymas pateiktas naudojatojo vadove.

A SPECIALIOSIOS SĄLYGOS, TAIKOMOS SIURBLIAMS, KURIE NAUDOJAMI POTENCIALIAI SPROGIOSE APLINKOSE (ATEX)

LSPĖJIMAS!

- Nesilaikant bet kurios iš šių specialiųjų sąlygų, potencialiai sprogyje aplinkoje gali kilti gaisras.
- Potencialiai sprogyje aplinkose gali būti naudojami tik ES ATEX direktyvą atitinkantys siurblių modeliai.
- Kai pasiekiami siurblio paviršiaus temperatūros riba, tam tikros dulksės gali užsidegti. Užtikrinkite reikiamą vėara, kad ant siurblio nesikaupytų dulksės.
- Statinės kibirkštys gali sukelti sprogią, rimtas traumas ar mirtį. Įžeminkite siurblių ir siurbimo sistemą. Konsultuotis su vietos, regionų ir nacionalinės statybos ir elektros kodai. Statinės kibirkštys gali uždegti degias medžiagas ir garus.
- Siurblys ir įsiurbimo / išleidimo jungtys turi būti įžemintos, kai naudojate įrenginį vietoje, kurioje aplinkos oras gali sukelti savaiminį užsiliepsnojamą.
- Naudokitės ant siurblio rėmo ar korpuso esančia iškiša, kad galėtumėte gerai sujungti įrenginį su įžeminimo šaltiniu.
- Įžeminę reguliariai tikrinkite, ar įžeminimo grandinė nepažeista. Ommetru išmatuokite kiekvieno įžeminto komponento (pvz., žarnų, siurblio, gnybtų, bakelio ir t. t.) varžą, kad būtų užtikrintas įžeminimo vientisumas.
- Degūs skysčiai laikykite atokiau nuo karščio, atviros liepsnos ir kibirkščių.
- Jei pastebėjote, kad pakilo temperatūra arba padidėjo vibracija, siurblių išjunkite ir naudokitės juo tik tuomet, kai bus patikrintas ir (arba) sutaisytas.
- Negalima atlikti įrankio priežiūros ir remonto sprogyje aplinkoje.
- Išsiliejantis skystis gali sukelti potencialių sprogių pavojų.
- Trūkusi žarna gali sukelti skysčio nuotėkį ir sukurti potencialiai sprogią aplinką.



PERISTALTINIAI SIURBLIAI

Gaminio saugos informacija

SIURBLIO PRIEŽIŪROS DARBAI

LSPĖJIMASI!

- Užtikrinkite, kad elektros instaliaciją įrengtų kvalifikuotas elektriikas.
- Užblokuokite (paženklinkite) pagrindinį elektros tiekimo tinklą, kad apsaugotumėte nuo elektros tiekimo į siurblių montavimo / techninės priežiūros metu.
- Savininkas / elektros rangovas turi pasirinkti tinkamo kabelių dydį užtikrinamas, kad grandinė būtų subalansuota ir neperkrauta kitos elektros įrangos.
- Prijunkite siurblių tik prie elektros sistemų, kurios yra suderinamos su siurblio elektros specifi kacijomis ir jam nustatytu galingumu. Siurblio nejunkite prie netinkamos įtampos ir (arba) dažnio elektros šaltinio.
- Ant įvadinės linijos įrenkite pagrindinės linijos atjungimo jungiklį. Siurblyje nėra įrengtas elektros atjungimo įtaisas. Savininkas atsako už apsaugos nuo atsijungimo, viršįtampio, trumpojo jungimo ir perkrovos konstrukciją ir įrengimą.
- Imantis bet kokių veiksmų ar atliekant techninę siurblio priežiūrą, būtina įsitikinti, kad siurblys yra sustabdytas ir atjungtas nuo elektros šaltinio.
- Variklio paleidimo sistemoje turi būti įrengtas krypties inverteris, stabdymo mygtukas ir avarinis mygtukas (kartu su siurbliu), tik tada siurblių galima visiškai saugiai eksploatuoti.
- Prieš jungdami siurblių į elektros laidą ar maitinimo tinklą, visada įsitikinkite, kad siurblio lentelėje pateikti parametrai atitiktų įrangos įtampos parametrus. Jei nesate tikras, kvieskite licencijuotą elektriiką, kad jis apžiūrėtų ir sumontuotų Jūsų siurblių.
- Norėdami sumažinti elektros smūgio riziką, prieš atlikdami techninės priežiūros, remonto ar elektros tinklo perkėlimo darbus, visada išjunkite siurblio maitinimą.
- Visoms įrangos detalėms numatykite tinkamą žemimą ir tarpo apšvietimo iškroviklius. Atlikę montavimą, o vėliau nuolat patikrinkite žemimo jungtis, kad užtikrintumėte nuolatinį gerą sąlygtį ir nepertraukiamumą.

Apdorojimas

DĖMESIO!

Vadovaukitės šiomis siurblio kėlimo instrukcijomis :

- Kelkite visą siurblių, naudodamiesi kėlimo angomis / žiedais ir papildoma atrama, esančia ant paviršiaus dėžės ir variklio, naudodami reikiamo tono stropus ir juostas.
- Visada naudokite reikiamos galios įrangą. Niekada neviršykite maksimalios kėlimo įrangos galios.
- Del svorio centro siurblys svirs į korpuso pusę. Kad išvengtumėte traumų kėlimo metu, įsitikinkite, kad personalas laikytųsi saugaus atstumo.
- Niekada nekelkite siurblio už įsiurbimo / išleidimo jungčių

Montavimas

- Prieš montuodami patikrinkite, ar tai reikiamas siurblio modelis / konfigūracija.
- Siurblių montuokite gerai ventiliuojamoje vietoje, atokiau nuo šilumos šaltinių. Užtikrinkite, kad būtų pakankamai vietos už variklio ventiliatoriaus dangčio, kad niekas netrukdytų oro įsiurbimui.
- Siurblio padėtis turi būti tokia, kad būtų paprasta prie jo prieiti, atlikti visus techninės priežiūros darbus.
- Surenkami siurbliai tikrinami vandenyje. Prieš montuodami praplaukite siurblių tinkamą skysčių.
- Siurblių saugokite nuo išorinių pažeidimų ir jokių būdu nenaudokite jo vamzdžio sistemai paremti. Įsitikinkite, jog visi sistemos komponentai tinkamai pritvirtinti – taip išvengsite nepageidaujamos siurblio komponentų apkrovos.

SIURBLIO NAUDOJIMAS

LSPĖJIMASI!

- Didžiausia leistina paviršiaus temperatūra priklauso nuo variklio, siurblio ir žarnos trinties naudojimo sąlygų. Neviršykite didžiausios leistinos temperatūros ribos. Didžiausios leistinos temperatūros ribos pateiktos instrukcijoje.
- Aukštas slėgis gali tapti sužalojimų, siurblio gedimų arba turto sugadinimo priežastimi. Patikrinkite, ar sujungimo žarnos ir kiti vamzdinių komponentai gali išlaikyti siurblio sukelliamą skysčio slėgį.
- Jokių būdu neviršykite bet kuriam sistemos komponentui leistino didžiausio medžiagos slėgio.
- Neatlikite siurblio techninės priežiūros ar valymo darbų, kol siurblys veikia.
- Keisdami žarną būkite atsargūs, ji gali labai greitai atsiskirti nuo siurblio korpuso ir sukelti žalą. Keičiant žarną, šalia siurblio įsiurbimo / išleidimo neturi būti jokių personalo darbuotojų.
- Netinkamai sumontavus ar esant vamzdžio apkrovai ir išoriniam pažeidimui, galima sugadinti siurblių ir sukelti skysčio nuotėkį.
- Jei siurblyje nusistovi nepakankamas alyvos lygis, siurblio paviršiaus temperatūra viršija rekomenduojamą temperatūros ribą. Tėpimo reikalavimai pateikiami vadove esančiose instrukcijose.
- Įsitikinkite, kad visi siurblio operatoriai būtų supažindinti su saugaus darbo taisyklėmis, suprastų dydžių ribojimus ir naudotųsi akių, ausų ir kitomis asmenų apsaugos priemonėmis.



PERISTALTINIAI SIURBLIAI

Gaminio saugos informacija

DĖMESIO!

- Nepaleiskite siurblio, kol nebus sumontuotas priekinis dangtis.
- Žarna turi būti keičiama tik tada, kai siurblys yra sustabdytas ir išjungiamas elektros maitinimas.
- Įsiurbimo ir išleidimo jungtys turi atitikti pumpuojamą medžiagą.
- Apsaugokite siurblių nuo pažeidimų. Jokiu būdu neleiskite siurbliui ilgai dirbti, kai juo nepumpuojama jokia medžiaga.
- Atjunkite elektros maitinimą, kai sistema ilgą laiką veikia tuščia eiga.
- Patikrinkite, ar žarnos cheminė sudėtis ir intarpo medžiaga atitinka pumpuojamą medžiagą. Cheminis suderinamumas gali kisti priklausomai nuo to, kokia yra pompuojamos cheminės (-ių) medžiagos (-ių) temperatūra ir koncentracija. Išsamesnės informacijos
- apie skysčio tinkamumą šiai sistemai galite gauti iš šios cheminės medžiagos gamintojo.

Naudojimas

LSPĖJIMAS!

- Prieš pradėdami naudoti siurbį, įsitikinkite, kad saugos įranga (dangtis, apžiūros langelis, ventiliatoriaus užtvara ir jungties apsauga) yra tinkamose vietose.
- Siurbį galėsite pradėti naudoti tik tada, kai bus atliktas visų elektros ir mechaninių jungčių patikrinimas.
- Dėl galimo skysčių nuotėkio, ALBIN PUMP™ negarantuoja didžiausios žarnos naudojimo trukmės. Savininkas privalo įrengti skysčio nuotėkio daviklius.
- Įtrūkus žarnai, siurblio korpuse gali imti kauptis siurbiamas produktas, kuris vėliau pradėtų tekėti iš siurblio. Nuotėkio daviklis ir automatinė uždarymo sklendė apsaugo sistemą nuo tokio nuotėkio.
- Dalinai užsikimšus išskrovimo linijai, tūrinis siurblys, gali sukelti labai didelį slėgį. Užtikrinkite, kad būtų įrengtos apsauginės priemonės, kad išskrovimo linijos neužsikimštų. Vadovaukitės vadove pateiktomis rekomendacijomis.
- Pernelyg didelis medžiagos slėgis. Jei skystis, esantis medžiagos padavimo vamzdžiuose yra paveiktas aukštos temperatūros, jis plečiasi ir gali pažeisti pačią sistemą. Todėl siurbimo sistemoje reikia įrengti apsauginį slėgio išleidimo vožtuvą.
- Pavojingos medžiagos. Gali sukelti rimtus sužalojimus arba sugadinti turą. Siurbį, kuriame yra likę pavojingų medžiagų, draudžiama gražinti į gamyklą arba serviso centrą. Darbo saugos principai turi atitikti vietinius ir nacionalinius įstatymus ir visus kitus taikomus saugos reikalavimus.

PASTABA :Perduoti instrukcija siurblys & modelis specialūs saugos informacijos.



PERISTALTINIAI SIURBLIAI

Gaminio saugos informacija

SAUGOS SIMBOLIAI



Karštas
Paviršius



Statinės Kibirkštys
Sprogimo Pavojus



Sutraiškymo
Pavojus



Atex Equipment



Pirma Perskaitykite
Instrukcijas
Naudojamas Produktas

REIKŠMINIŲ SAUGOS ŽODŽIŲ PAAIŠKINIMAS

PAVOJUS! Žymi neišvengiamas pavojingas situacijas, kurioms susidarius, neišvengiama žūtis arba sunkūs sužalojimai.

LSPĖJIMAS! Žymi galimas pavojingas situacijas, kurioms susidarius, gali žūti arba būti sunkiai sužaloti žmonės.

DĖMESIO! Žymi galimas pavojingas situacijas, kurioms susidarius, gali lengvai arba vidutiniškai sužaloti žmonės arba būti apgadinotas turtas.

PASTABA! Žymi informaciją arba bendrovės politiką, tiesiogiai arba netiesiogiai susijusią su darbuotojų saugumu arba turto apsauga.

INFORMACIJA APIE GAMINIO DALIS

DĖMESIO!

Jei keisite gaminio dalis kitomis, ne originaliomis ALBIN PUMP dalimis, gali padidėti pavojus susizaloti, sumazėti gaminio darbo nasumas, prireikti dažnesnio remonto ir nustoti galioje visos garantijos.

Gamini taisyti gali tik igaloti, kvalifi kuoti darbuotojai. Kreipkitės i Jums artimiausia igaliotaji ALBIN PUMP serviso centra.

Originali sios instrukcijos kalba yra anglu.

Instrukcijas galite atsisiųsti iš svetainės www.albinpump.com internete.

Visais klausimais kreipkitės į artimiausią ALBIN PUMP atstovybę arba pardavėją.



PERISTALTISKIE SŪKŅI

Iekārtas drošības informācija

PRODUKTA APRAKSTS

Peristaltiskais šļūtenes sūkņis ir ar elektrisko motoru darbināms rotējošs virzuļsūkņis, kurā iebūvēta šļūtene, kas mehāniskas saspiešanas rezultātā izraisa sūkņēšanas darbību. Šos sūkņus izmanto tādu vielu sūkņēšanai, kuru saderība ar šļūteni ir jāpārbauda pirms darba sākšanas. Sūkņa citāda izmantošana var izraisīt iekārtu bojājumus un/vai nopietnus ievainojumus vai pat nāvi.

PRODUKTA VISPĀRĪGĀ DROŠĪBAS INFORMĀCIJA ON

BRIDINAJUMS!

- Pirms produkta darbināšanas izlasiet tam pievienoto(-ās) rokasgrāmatu(-as).
 - Izlasiet visu produktam pievienoto dokumentāciju.
 - Vērsieties pie ALBIN PUMP vai tuvākā izplatītāja, ja jums ir šaubas par uzstādīšanas, izmantošanas, pārbaudes vai apkopes norādījumiem.
 - Neizmēģiniet rokasgrāmatas. Nodrošiniet, lai rokasgrāmatas būtu viegli pieejamas visam personālam.
- Uzstādot, darbinot, pārbaudot šo produktu un veicot tā tehnisko apkopi, vienmēr ievērojiet visus piemērojamos standartus un noteikumus (vietējos, valsts, federālos utt.).
- Strādājot ar šo sūkni vai veicot tā tehnisko apkopi, vienmēr lietojiet aizsargbrilles.
- Strādājot ar šo sūkni, vienmēr lietojiet ausu aizsargus.
- Vienmēr lietojiet sūkņim un materiālam, ar kuru strādājat, atbilstošus individuālos aizsarglīdzekļus. Tie var būt putekļu maska vai cita elpošanas aizsargierīce, aizsargbrilles, ausu aizbāžņi, cimdi, priekšauts, aizsargapavi, aizsargķivere un citi aizsarglīdzekļi.
- Nepārveidojiet sūkni, drošības ierīces vai piederumus.
- Izmantojiet ALBIN PUMP ieteiktos piederumus.

Transportēšana un uzglabāšana

- Uzglabājiet sausā vietā. Uzglabāšanas laikā neņemiet produktu ārā no kastes/iepakojuma.
- Nemetiet vai nesabojājiet kasti/iepakojumu. Pārvietojiet uzmanīgi.

PERISTALTISKO ŠĻŪTENES SŪKŅU IZMANTOŠANA SPRĀDZIEBĪSTAMĀ VIDĒ (ATEX)

Atbilstības deklarācija lietošanas instrukcijā norāda, ka daži sūkņu modeļi atbilst Eiropas Kopienas Direktīvai 2014/34/EC iekārtām, kas paredzētas lietošanai sprādzienbīstamā vidē, un uz šo direktīvu parasti atsaucas kā uz ATEX direktīvu. Lai noteiktu konkrēto ATEX norādi, skatiet produkta marķējumu, kas atrodas uz datu (nosaukuma) plāksnītes vai tās tuvumā. Produkti, kas nav šādi marķēti, nav piemēroti lietošanai sprādzienbīstamā vidē (ATEX). Papildu modeļu aprakstus skatiet instrukciju rokasgrāmatā.

ĪPAŠI NOSACĪJUMI SŪKŅU IZMANTOŠANAI SPRĀDZIEBĪSTAMĀ VIDĒ (ATEX)

BRIDINAJUMS!

- Sprādzienbīstamā vidē var izmantot tikai sūkņus, kas atbilst ES ATEX direktīvai.
- Noteiktu veidu putekļi var uzliesmot pie maksimālās sūkņa virsmas temperatūras. Nodrošiniet kārtīgu apkopi, lai novērstu putekļu sakrāšanos uz sūkņa.
- Statiskās elektrības dzirksteles var izraisīt sprādzienu, kura rezultātā iespējami smagi miesas bojājumi vai iestāties nāve. Iezemēt sūkni un sūkņēšanas sistēmu. Sazinieties ar vietējo, reģionālo un valsts veidošanas un elektroenerģijas kodli.
- Statiskās elektrības dzirksteles var aizdedzināt uzliesmojošus materiālus un tvaikus.
- Sūkņus un iesūkņēšanas/izplūdes savienojumi jāieņem, izmantojot vietās, kur vide vada elektrību un var izraisīt spontānu aizdegšanos. Iezemēšanas kabeļa pieslēgšanai labam zemējumam izmantojiet pārvienojuma cilpu, kas ir uz sūkņa rāmja vai korpusa.
- Pēc iezemēšanas periodiski pārbaudiet elektrisko zemējumu. Ar ommetru pārbaudiet katru sastāvdaļu (piem., šļūtenes, sūkni, skavas, rezervuāru u.tml.), lai nodrošinātu pastāvīgu zemējumu.
- Sargiet uzliesmojošus šķidrumus no karstuma, atklātas liesmas un dzirkstelēm.
- Ja tiek konstatēta paaugstināta temperatūra vai paaugstināts vibrāciju līmenis, izslēdziet sūkni un pārtrauciet tā lietošanu, līdz to iespējams pārbaudīt un/vai saremontēt.
- Neveiciet apkopes vai remontdarbus vietās, kur pastāv sprādzienbīstama vide.
- Šķidrumu noplūde var izraisīt sprādzienbīstamību.
- Šļūtenes pārplīšana var izraisīt šķidruma noplūdi un radīt sprādzienbīstamību.



PERISTALTISKIE SŪKŅI

lekārtas drošības informācija

SĀKOT SŪKŅA EKSPLUATĀCIJU

BRIDINAJUMS!

- Nodrošiniet, lai elektroinstalācijas darbus veic kvalificēti elektriķi.
- Bloķējiet/marķējiet barošanu no tīkla, lai novērstu iespēju, ka barošanas strāva tiek pievadīta sūkņim tā uzstādīšanas/apkopes laikā.
- Ipašniekam/elektroiekārtu uzstādīšanas darbu veicējam ir jānosaka nepieciešamo barošanas kabeļu šķērsgriezums, lai nodrošinātu simetrisku shēmu, ko nepārslogo citas elektroiekārtas.
- Pievienojiet sūkni tikai tādām elektrosistēmām, kas ir saderīgas ar sūkņa elektrotehniskajiem parametriem un atbilst tā nominālajaudai. Nepievienojiet sūkni barošanai ar nepareizu spriegumu un/vai frekvenci.
- Uz barošanas līnijas uzstādiet barošanas atslēgšanas slēdzi. Sūknis nav aprīkots ar barošanas atslēgšanas ierīci. Ipašnieks ir atbildīgs par atslēgšanas, pārsprieguma, īsslēguma un pārslodzes aizsardzības sistēmas projektēšanu un uzstādīšanu.
- Veicot sūkņa ekspluatāciju/apkopi, jāpārlicinās, vai sūkns ir apstādīnāts un atslēgts no elektropadeves.
- Motora palaišanas sistēmai jābūt aprīkotai ar virziena invertoru, izslēgšanas-ieslēgšanas pogu un avārijas izslēgšanas pogu (kopā ar sūkni), lai sūkni varētu pilnīgi droši izmantot.
- Pirms sūkņa pieslēgšanas sienas rozetei vai pievienošanas elektriskajai barošanai vienmēr pārlicinieties, vai uz sūkņa datu plāksnītes norādītais spriegums atbilst instalācijas spriegumam. Ja neesat pārlicināts, lūdziet licencētām elektriķiem pārbaudīt un uzstādīt jūsu sūkni.
- Lai mazinātu elektriskā trieciena risku, pirms apkopes vai remontdarbu veikšanas vai pārvietošanas vienmēr atvienojiet sūkņa elektropadevi.
- Nodrošiniet piemērotus iezemējumus, drošības attālumus un zibensnovēdējus visiem elektriskajiem komponentiem.
- Pēc sākotnējās uzstādīšanas un vēlāk laiku pa laikam pārbaudiet iezemējuma savienojumus, lai nodrošinātu labu kontaktu un saglabātu nepārtrauktību.

Pārvietošana

UZMANĪBU!

Veicot sūkņa pacelšanu, ievērojiet šādus norādījumus :

- Celiet visu sūkni, izmantojot pacelšanas atveres/gredzenus, kā arī papildu balstus uz pārnēsunkārbus un motora ar atbilstošas kategorijas siksnām vai cilpām.
- Vienmēr izmantojiet atbilstošas jaudas pacelējiekārtu. Nekad nepārsniedziet pacelējiekārtas maksimālo jaudas robežu.
- Sūkņim sakarā ar tā smaguma centra atrašanās vietu ir tendence gāzties sūkņa ietvara virzienā. Pārlicinieties, vai personāls atrodas drošā attālumā no sūkņa, lai izvairītos no savainojumu riska pacelšanas laikā.
- Nekad neceliet sūkni aiz tā iesūkņēšanas/izplūdes savienojumiem.

Uzstādīšana

- Pirms uzstādīšanas pārbaudiet pareizo sūkņa modeli/konfi gurāciju.
- Uzstādiēt sūkni labi vēdinātā vietā, kas nav siltuma avotu tuvumā. Nodrošiniet pietiekami daudz vietas aiz motora ventilatora pārsega, lai netiktu bloķēta gaisa ieeja.
- Sūkņa novietojumam ir jābūt tādām, lai visu apkopes darbību laikā tam varētu ērti piekļūt. Uzstādot sūkņus, tie tiek testēti ūdenī. Pirms uzstādīšanas izskalojiet sūkni ar atbilstošu šķidrumu.
- Sargājiet sūkni no ārējiem bojājumiem un neizmantojiet sūkni cauruļvadu sistēmas balstīšanai. Pārlicinieties, vai sistēmas sastāvdaļas ir pienācīgi nostiprinātas, lai nenospriegotu sūkņa detaļas.

STRĀDĀJOT AR SŪKŅI

BRIDINAJUMS!

- Maksimālā virsmas temperatūra ir atkarīga no motora, sūkņa ekspluatācijas apstākļiem un šļūtenes berzes. Nepārsniedziet maksimālās temperatūras robežas. Maksimālās temperatūras robežas var noskaidrot lietošanas instrukcijā.
- Augsts spiediens var izraisīt miesas bojājumus, nāvi, sūkņa bojājumus vai kaitējumu ipašumam.
- Pārlicinieties, vai savienojuma šļūtenes un citas cauruļvadu sastāvdaļas spēj izturēt šķidrumu spiedienu, ko rada šis sūkns.
- Nevienā sistēmas sastāvdaļā nepārsniedziet maksimālo materiāla spiedienu.
- Neveiciet apkopi vai sūkņa un šļūtenju tīrīšanu, sūkņim darbojoties.
- Nomainot šļūtenes, šļūtene ļoti strauji var atvienoties no sūkņa ietvara un radīt kaitējumu. Šļūtenju nomainīšanas laikā sūkņa iesūkņēšanas/izplūdes pusē personāls nedrīkst atrasties.
- Sūkņa bojājumi, kas radušies nepareizas uzstādīšanas vai cauruļvadu mehāniskā sprieguma un ārēja kaitējuma dēļ, var izraisīt šķidrumu noplūdi.
- Nepietiekams smērvielu daudzums sūkņi var izraisīt virsmas temperatūras, kas pārsniedz sūkņa ieteicamo temperatūras robežu. Ar prasībām attiecībā uz eļļošanu var iepazīties lietošanas instrukcijā.
- Pārlicinieties, vai visi sūkņa lietotāji ir apmācīti drošam darbam, zina tā iespēju robežas un saskaņā ar prasībām valkā atbilstošas acu, ausu un citus individuālās aizsardzības līdzekļus.



PERISTALTISKIE SŪKŅI

lekārtas drošības informācija

UZMANĪBU!

- Nedarbiniet sūkni, pirms nav uzstādīts priekšējais pārsegs.
- Jūtienes nomaīņa jāveic, sūknim esot izslēgtam un ar atvienotu elektrisko barošanu.
- Iesūkņēšanas un izplūdes savienojumiem jābūt savietojamiem ar sūkņējamajām vielām. Sargiet sūkni no nevajadzīgas bojāšanas. Ja beidzies materiāls, neļaujiet sūknim ilgstoši darboties.
- a sistēma ilgi darbojas tukšgaitā, atvienojiet sūkņa elektropadeves vadu.
- Pārbaudiet šļūtenes un ieliktna materiāla savietojamību ar pārsūkņējamu vielu. Ķīmiskā savietojamība var mainīties, mainoties sūkņējamās ķīmiskās(-o) vielas(-u) temperatūrai un koncentrācijai. Lai iegūtu informāciju par konkrētu šķidrumu ķīmisko atbilstību, konsultējieties ar ķīmisko vielu ražotāju.

Darbība

BRĪDINAJUMS!

- Pirms sūkņa darbināšanas pārlicinieties, vai visi aizsargelementi (pārsegs, skata stikls, ventilatora pārsegs un savienojuma aizsargs) atrodas savās vietās.
- Sāciet sūkņa darbināšanu tikai tad, ja ir kārtīgi pārbaudīti visi elektriskie un mehāniskie savienojumi.
- ALBIN PUMP negarantē šļūtenes darbmužu/šķidruma zudumu novēršanu. Šķidruma zudumu detektoru uzstādišana ir īpašnieka pienākums.
- Šļūtenes pārplīšanas rezultātā sūkņa ietvars var piepildīties ar sūkņējamu vielu un var rasties vielas noplūde no sūkņa. Lai novērstu šādus gadījumus, ieteicams uzstādīt noplūžu detektoru un automātiskās atslēgšanas vārstu.
- Tā kā sūknis ir volumetrisks, tajā var izveidoties augsts spiediens arī tad, ja izplūdes līnija ir bloķēta tikai daļēji. Pārlicinieties, vai savā vietā ir aizsargierīces izplūdes līnijas aizsprostošanās novēršanai.
- Pārāk augsts materiāla spiediens. Termiskā izplešanās radīsies, ja šķidruma materiāla vados pakļaus paaugstinātām temperatūrām un izraisīs pārrāvumu sistēmā. Uzstādiert sūkņēšanas sistēmā spiediena drošības vārstu.
- Bīstami materiāli. Var radīt nopietnu miesas vai īpašuma bojājumu. Nemēģiniet sūkni atdot atpakaļ uzņēmumam vai servisa centram, ja tajā ir bīstami materiāli. Drošas apiešanās praksei jāatbilst vietējiem un valsts tiesību aktiem un drošības kodeksa prasībām.

PIEZĪME : Attiecas uz instrukciju sūknis & modelis īpašas drošības informāciju.



PERISTALTISKIE SŪKŅI

lekārtas drošības informācija

DROŠĪBAS APZĪMĒJUMU SKAIDROJUMS



Karsta virsma



Statiskā dzirkstele
Sprādzienbīstamība



Saspiešanas
bīstamība



Atex Equipment



Lasīt Kopā
rokasgrāmatas
ar Preci

DROŠĪBAS SIGNĀLVĀRDU IZSKAIDROJUMS

BĪSTAMI! Norāda draudīgu situāciju, kura, ja to nenovērsīs, izraisīs nāvi vai nopietnus ievainojumus.

BRĪDINAJUMS! Norāda potenciāli draudīgu situāciju, kura, ja to nenovērsīs, var izraisīt nāvi vai nopietnus ievainojumus.

UZMANĪBU! Norāda potenciāli draudīgu situāciju, kura, ja to nenovērsīs, var izraisīt nelielus vai vidēji smagus ievainojumus vai īpašuma bojājumus.

PIEZĪME! Norāda informāciju vai uzņēmuma politiku, kas tieši vai netieši attiecas uz personāla drošību vai īpašuma aizsardzību

INFORMĀCIJA PAR LEKĀRTAS DAĻĀM

BRĪDINAJUMS!

Originālo ALBIN PUMP rezerves daļu aizvietošana ar citām rezerves daļām var apdraudēt drošību, samazināt instrumenta darba kvalitāti, palielināt tehniskās apkopes nepieciešamību un padarīt nederīgas visas garantijas.

Remontu būtu jāveic vienīgi sertificētam un apmācītam personālam. Sazinieties ar tuvāko ALBIN PUMP sertificēto servisa centru.

Šīs rokasgrāmatas oriģinālā valoda ir angļu valoda.

Rokasgrāmatas var lejupielādēt no www.albinpump.com

Ar visiem jautājumiem griezieties tuvākajā ALBIN PUMP birojā vai pie izplatītāja.



POMPY PERYSTALTYCZNE

Informacje dotyczące bezpieczeństwa obsługi narzędzia

OPIS PRODUKTU

Pompa perystaltyczna jest to obrotowa pompa wyporowa o napędzie elektrycznym, która zawiera wąż podlegający mechanicznemu ścisnaniu w celu uzyskania efektu pompowania. Pompy te są przeznaczone do pompowania produktów dostosowanych do kontaktu z węzłem, co należy sprawdzić przed włączeniem pompy. Użycie pompy w jakimkolwiek innym celu może spowodować uszkodzenie urządzenia i/lub poważne obrażenia, a nawet śmierć

OGÓLNE INFORMACJE DOTYCZĄCE BEZPIECZEŃSTWA PRODUKTU

OSTRZEŻENIE!

- Przed rozpoczęciem eksploatacji należy przeczytać instrukcje dostarczone z produktem.
 - Przeczytać całą dokumentację dostarczoną z produktem.
 - W razie wątpliwości odnośnie do instrukcji instalacji, obsługi, przeglądów i konserwacji należy skontaktować się z firmą ALBIN PUMP lub najbliższym dystrybutorem.
 - Nie pozbywać się instrukcji. Instrukcje powinny być dostępne dla całego personelu.
- Czynności instalacji, eksploatacji, przeglądów i konserwacji tego produktu należy zawsze dokonywać zgodnie z wszystkimi obowiązującymi normami i przepisami (lokalnymi, regionalnymi, krajowymi itp.).
- Podczas użytkowania pompy należy stosować okulary ochronne.
- Należy stosować środki ochrony słuchu.
- Należy używać środków ochrony osobistej odpowiednich do typu pompy i używanego materiału. Środki te mogą obejmować maskę przeciwpyłową lub aparaty do oddychania, okulary ochronne, zatykczki do uszu, rękawiczki, fartuch, buty ochronne, kask i inny sprzęt.
- Nie modyfikować pompy, urządzeń zabezpieczających ani wyposażenia.
- Należy używać elementów wyposażenia zalecanych przez firmę ALBIN PUMP.

Transport i przechowywanie

- Przechowywać w suchym miejscu. Nie wyjmować produktu z pudełka / opakowania podczas przechowywania.
- Nie upuszczać ani nie dopuszczać do uszkodzenia pudełka/ opakowania. Obchodzić się z urządzeniem ostrożnie.

IPOMPY PERYSTALTYCZNE UŻYWANE W ATMOSFERACH ZAGROŻONYCH WYBUCEM (ATEX)

Zamieszczona w instrukcji deklaracja zgodności potwierdza zgodność opisywanych pomp z dyrektywą Wspólnoty Europejskiej 2014/34/EC dla urządzeń przeznaczonych do pracy w przestrzeniach zagrożonych wybuchem, określaną w skrócie jako dyrektywa ATEX. Należy zapoznać się ze specjalnym oznakowaniem ATEX, które można znaleźć na etykiecie umieszczonej na tabliczce znamionowej produktu lub w jej pobliżu. Produkty nieoznakowane w ten sposób nie są dopuszczone do użycia w żadnej atmosferze zagrożonej wybuchem (ATEX). Dokładniejszy opis modeli znajduje się w instrukcji.

WARUNKI SPECJALNE DLA POMP UŻYWANYCH W ATMOSFERACH ZAGROŻONYCH WYBUCEM (ATEX)

OSTRZEŻENIE!

- Nieprzestrzeżenie niniejszych Warunków specjalnych" może być przyczyną wywołania zapłonu w przestrzeniach zagrożonych wybuchem.
- W przestrzeniach zagrożonych wybuchem należy używać wyłącznie modeli pomp zgodnych z Dyrektywą ATEX* WE.
- Pewne pyły przy wartościach granicznych temperatury powierzchni pompy mogą ulec samozapaleniu. Należy zapewnić właściwe czyszczenie pompy, aby wyeliminować gromadzenie się pyłów.
- Wyladowania elektrostatyczne mogą spowodować wybuch grożący poważnymi obrażeniami ciała lub śmiercią. Należy uziemić pompę i system pompujący. Skonsultować lokalne, regionalne i krajowe kody budownictwa i energii elektrycznej.
- Wyladowania elektrostatyczne mogą spowodować zapłon materiałów łatwopalnych i oparów.
- Pompa oraz przyłącza ssące/wylotowe muszą być uziemione podczas używania w miejscach, gdzie otaczająca atmosfera sprzyja samozapłonowi.
- W celu prawidłowego połączenia z punktem uziemienia należy użyć odpowiedniego ucha na ramie lub obudowie pompy w celu przymocowania taśmy połączeniowej.
- Po wykonaniu uziemienia należy okresowo sprawdzać ciągłość połączenia elektrycznego. Sprawdzić omomierzem uziemienie każdego komponentu (na przykład, przewodów, pompy, zacisków, pojemnika itp.), aby upewnić się, że jest ono skuteczne.
- Płyiny łatwopalne przechowywać z dala od źródeł ciepła, otwartego ognia oraz iskier.
- W wypadku wykrycia podwyższonej temperatury lub podwyższonego poziomu wibracji należy wyłączyć pompę i nie używać jej do czasu, gdy zostanie sprawdzona i/lub naprawiona.
- Czynności obsługowych ani napraw nie należy wykonywać w przestrzeniach zagrożonych wybuchem.
- Wyciekające płyny mogą powodować ryzyko eksplozji.
- Przerwanie węża może prowadzić do wycieku płynu powodującego zagrożenie wybuchem



POMPY PERYSTALTYCZNE

Informacje dotyczące bezpieczeństwa obsługi narzędzia

URUCHOMIENIE POMPY

OSTRZEŻENIE!

- Instalacje elektryczne muszą być wykonane przez wykwalifikowanego elektryka.
- Zablokować/oznakować główne zasilanie elektryczne, aby zabezpieczyć przed możliwością włączenia zasilania pompy podczas instalacji/konserwacji.
- Właściciel/wykonawca instalacji elektrycznej musi dobrać rozmiar kabli zasilających dla zapewnienia równowagi obwodu i nieprzeciążenia systemu przez inne urządzenie elektryczne.
- Pompę należy podłączać wyłącznie do instalacji elektrycznych kompatybilnych z jej charakterystyką elektryczną i odpowiadających jej wydajności znamionowej. Nie podłączać do zasilania o nieprawidłowym napięciu i/lub częstotliwości.
- Na linii wejścia zainstalować odłącznik głównej linii. Pompa nie jest wyposażona w urządzenie odłączające od zasilania elektrycznego. Właściciel jest odpowiedzialny za projekt i instalację zabezpieczenia odłącznikowego, przeciwnapięciowego, przeciwzwarceniowego i przeciwprzeciążeniowego.
- Przed przystąpieniem do obsługi/konserwacji pompy należy upewnić się, że jest ona zatrzymana i odłączona od zasilania elektrycznego.
- Układ uruchamiania pompy powinien zawierać inwerter kierunku, przycisk start-stop i przycisk zatrzymania awaryjnego (oraz pompę) połączone w taki sposób, aby umożliwić bezpieczną pracę pompy.
- Przed podłączeniem pompy do gniazda ściennego lub źródła zasilania elektrycznego należy upewnić się, że napięcie określone na tabliczce znamionowej pompy jest zgodne z napięciem w instalacji. W przypadku braku pewności podłączenie pompy należy zlecić elektrykowi posiadającemu odpowiednie uprawnienia.
- W celu zmniejszenia ryzyka porażenia prądem elektrycznym przed przystąpieniem do konserwacji, naprawy lub zmiany położenia pompy należy zawsze odłączyć ją od zasilania.
- Zapewnić odpowiednie uziemienia, odległości i odgromniki na wszystkich elementach elektrycznych.
- Sprawdzić połączenia instalacji uziemiającej po zakończeniu montażu urządzenia oraz okresowo podczas jego eksploatacji, tak aby zagwarantować prawidłowość i ciągłość połączeń.

Przenoszenie

UWAGA!

W przypadku podnoszenia pompy należy przestrzegać następujących instrukcji :

- Kompletną pompę należy podnosić wyłącznie przy użyciu pasów lub taśm o odpowiedniej wytrzymałości przymocowanych do otworów do podnoszenia, zapewniając dodatkowe podparcie przekładni i napędu.
- Używać sprzętu do podnoszenia o odpowiednim udźwigu. Nie przekraczać maksymalnego udźwigu sprzętu do podnoszenia.
- Pompa ma tendencję do przechylania się na stronę z obudową ze względu na położenie środka ciężkości. Aby uniknąć ryzyka odniesienia obrażeń podczas podnoszenia pompy, należy upewnić się, że pracownicy znajdują się w bezpiecznej odległości.
- Nigdy nie podnosić pompy za przyłącza ssące/wylotowe.

Instalacja

- Przed zainstalowaniem sprawdź, czy model i konfiguracja pompy są prawidłowe.
- Zainstalować pompę w dobrze wentylowanym miejscu, z dala od źródeł ciepła. Zapewnić odpowiednią przestrzeń za pokrywą wentylatora silnika, aby nie tłumić przepływu powietrza.
- Pompę należy zainstalować w miejscu umożliwiającym łatwy dostęp w celu przeprowadzenia konserwacji.
- Po wyprodukowaniu pompy są testowane przy użyciu wody. Przed zainstalowaniem pompy należy ją przepłukać odpowiednim płynem.
- Należy chronić pompę przed zewnętrznymi uszkodzeniami i nie używać jej jako konstrukcyjnego oparcia instalacji rurowej. Upewnić się, że komponenty systemu są właściwie zabezpieczone przed przeniesieniem naprężeń mechanicznych na części pompy.

OBŚŁUGA POMPY

OSTRZEŻENIE!

- Maksymalna temperatura powierzchni zależy od warunków pracy silnika, pompy oraz tarcia węża. Nie przekraczać temperatury maksymalnej. Temperatura maksymalna została podana w instrukcji.
- Wysokie ciśnienie może spowodować obrażenia ciała, śmierć, uszkodzenie pompy lub straty materialne.
- Należy upewnić się, że wężę przyłączeniowe oraz pozostałe komponenty instalacji rurowej wytrzymają ciśnienie płynu wytwarzane przez pompę.
- Nie wolno przekraczać maksymalnego ciśnienia wywieranego na każdy komponent systemu. Nie serwisować ani nie czyszczyć pompy lub węży podczas pracy pompy.
- Podczas wymiany węża może on bardzo szybko wydostać się z obudowy i spowodować obrażenia. Podczas wymiany węża żadne osoby nie powinny stać po stronie przyłączy ssących/wylotowych.
- Uszkodzenie pompy powstałe poprzez niewłaściwy montaż lub wystąpienie naprężeń w instalacji rurowej oraz zewnętrzne uszkodzenie może powodować wyciek płynu.
- Niewystarczające smarowanie pompy może powodować wzrost jej temperatury powyżej zalecanej wartości granicznej. Wymagania dotyczące smarowania zostały opisane w instrukcji.



POMPY PERYSTALTYCZNE

Informacje dotyczące bezpieczeństwa obsługi narzędzia

- Upewnij się, że wszystkie osoby obsługujące pompę zostały przeszkolone w zakresie bezpieczeństwa pracy, rozumieją ograniczenia urządzenia oraz używają odpowiedniego sprzętu chroniącego oczy, słuch oraz innych środków ochrony osobistej.

UWAGA!

- Nie uruchamiać pompy bez zamontowanej przedniej pokrywy.
- Przyłącza ssące i wylotowe muszą być odpowiednie dla pompowanej substancji.
- Należy zapobiegać przypadkowym uszkodzeniom pompy. Nie wolno dopuszczać do długotrwałego działania pompy bez płynu.
- Jeśli system jest wyłączony na dłuższy czas, należy odłączyć przewód zasilający od pompy.
- Sprawdzić zgodność chemiczną materiału, z którego są wykonane wąż oraz wkładka z pompowaną substancją. Zgodność chemiczna może ulegać zmianie wraz z temperaturą i stężeniem chemikaliów w pompowanej substancji. Należy skontaktować się z producentem chemikaliów w celu określenia zgodności płynów.

Obsługa

OSTRZEŻENIE!

- Przed włączeniem pompy należy upewnić się, że wszystkie zabezpieczenia (pokrywa, wziernik, pokrywa wentylatora i osłona przyłączy) znajdują się na swoich miejscach.
- Pompę można uruchomić tylko po dokładnym sprawdzeniu połączeń elektrycznych i mechanicznych.
- Trwałość węża oraz ochrona przed utratą produktu/płynu nie są gwarantowane przez firmę ALBIN PUMP. Do odpowiedzialności właściciela należy zainstalowanie wykrywaczy wycieków płynu.
- Przerwanie węża może spowodować napełnienie obudowy urządzenia pompowanym produktem i jego wyciek. W celu uniknięcia takiej sytuacji zaleca się użycie wykrywacza wycieku oraz automatycznego zaworu odcinającego.
- Pompa objętościowa może wytwarzać wysokie ciśnienie nawet w przypadku jedynie częściowego zatkania przewodu wylotowego. Należy zapewnić odpowiednie zabezpieczenia uniemożliwiające zatkanie przewodu wylotowego.
- Nadmierne ciśnienie płynu. Jeśli płyn w przewodach jest wystawiony na działanie podwyższonych temperatur, w wyniku rozszerzalności cieplnej może dojść do pęknięcia systemu. W systemie pompującym należy zainstalować zawór obniżający ciśnienie.
- Niebezpieczne materiały. Mogą powodować poważne obrażenia ciała i straty materialne. Nie wolno zwracać do producenta lub biura obsługi pompy zawierającej niebezpieczne materiały. Praktyki bezpiecznego postępowania muszą być zgodne z lokalnymi i krajowymi przepisami oraz wymogami kodeksu bezpieczeństwa.

INFORMACJA: Odnoszą się do instrukcji obsługi pompys & w Model specjalne wymagania dotyczące bezpieczeństwa informacji.



POMPY PERYSTALTYCZNE

Informacje dotyczące bezpieczeństwa obsługi narzędzia

IDENTYFIKACJA SYMBOLI BEZPIECZEŃSTWA



Gorąca powierzchnia



Zagrożenie wybuchem w przypadku wyładowania elektrostatycznego



Niebezpieczeństwo zmiżdżenia



Atex Equipment



Przeczytaj Instrukcję Wyposażony z Produktem

WYJAŚNIENIE SŁÓW SYGNALIZUJĄCYCH NIEBEZPIECZEŃSTWO

NIEBEZPIECZEŃSTWO! Sygnalizuje bezpośrednio niebezpieczną sytuację, która przy braku reakcji doprowadzi do śmierci bądź poważnego okaleczenia.

OSTRZEŻENIE! Sygnalizuje potencjalnie niebezpieczną sytuację, która przy braku reakcji mogłaby prowadzić do śmierci bądź poważnego okaleczenia.

UWAGA! Sygnalizuje potencjalnie niebezpieczną sytuację, która przy braku reakcji może prowadzić do okaleczenia bądź strat materialnych.

INFORMACJA! Oznacza informację lub zalecenia odnoszące się bezpośrednio lub pośrednio do bezpieczeństwa personelu lub ochrony dóbr materialnych.

INFORMACJE DOTYCZĄCE CZĘŚCI ZAMIENNYCH PRODUKTU

UWAGA!

Użycie części innych niż oryginalne części zamienne fi rmy ALBIN PUMP może powodować zagrożenie, zmniejszoną wydajność szlifiarki i konieczność intensywniejszej konserwacji oraz utratę wszystkich gwarancji. Naprawy powinny być wykonywane wyłącznie przez upoważniony, wykwalifikowany personel. Należy konsultować się z najbliższym Autoryzowanym Centrum Serwisowym fi rmy ALBIN PUMP. Niniejsza instrukcja obsługi została przetłumaczona z języka angielskiego.

Instrukcje obsługi można pobrać na stronie internetowej www.albinpump.com

Wszelkie uwagi i pytania należy kierować do najbliższego biura lub dystrybutora fi rmy ALBIN PUMP.



ПЕРИСТАЛТИЧНИ ПОМПИ

Информация за безопасността на продукта

ОПИСАНИЕ ПРОДУКТА

Перисталтичната шлаухова помпа е ротационна обемна помпа, задвижвана от електродвигател, в която има маркуч, който последователно се притиска механично, за да се получи изпомпване. Тези помпи се използват за изпомпване на продукти, чиято съвместимост с маркуча трябва да се провери преди започване на работа. Всяка друга употреба може да доведе до повреда на оборудването и / или до сериозно нараняване или смърт.

ОБЩА ИНФОРМАЦИЯ ЗА БЕЗОПАСНОСТТА НА ПРОДУКТА

ВНИМАНИЕ!

- Не използвайте, преди да прочетете ръководството(-ата) към този продукт.
- Прочетете цялата документация към продукта.
- Обърнете се към ALBIN PUMP или към най-близкия дистрибутор, ако имате съмнения по отношение на инструкциите за монтаж, работа, проверки и техническо обслужване.
- Не изхвърляйте ръководствата. Пазете ръководствата на разположение на целия персонал.
- Винаги монтирайте, използвайте, проверявайте и обслужвайте този продукт в съответствие с приложимите стандарти и разпоредби (местни, щатски, държавни, федерални и др.)
- Винаги носете защита за очите, когато използвате или обслужвате тази помпа.
- Винаги носете защита за ушите, когато използвате тази помпа.
- Винаги използвайте лични предпазни средства, подходящи за помпата и материалите, с които работите. Това може да включва противопрахова маска или друг дихателен апарат, предпазни очила, тапи за ушите, престилка, предпазни обувки, каска и друго оборудване.
- Не видеоменяйте помпата, устройствата за безопасност или принадлежностите.
- Използвайте аксесоари, препоръчани от ALBIN PUMP.

Транспорт и съхранение

- Съхранявайте на сухо място. Не изваждайте продукта от кутията / опаковката по време на съхранение.
- Не изпускате и не повредете кутията / опаковката. Манипулирайте внимателно

ПЕРИСТАЛТИЧНИ ШЛАУХОВИ ПОМПИ, КОИТО СЕ ИЗПОЛЗВАТ В ПОТЕНЦИАЛНО ВЗРИВООПАСНА СРЕДА (ATEX)

В Декларацията за съответствие в настоящото ръководство за употреба се казва, че някои модели помпи са в съответствие с Директивата на Европейската общност 2014/34/ЕС за оборудване, предназначено за използване в потенциално взривоопасна среда, която обикновено се нарича Директива ATEX. Вижте надписите по продукта, които се намират в близост до или върху табелката с данни (наименования), за конкретни указания по ATEX. Продуктите, които не са обозначени по този начин, не са подходящи за използване в потенциално взривоопасна среда (ATEX). Направете справка в ръководството за употреба за допълнително описание на модела.

СПЕЦИАЛНИ УСЛОВИЯ ЗА ПОМПИТЕ, КОИТО СЕ ИЗПОЛЗВАТ В ПОТЕНЦИАЛНО ВЗРИВООПАСНА СРЕДА (ATEX)

ВНИМАНИЕ!

- Неспазването, на което и да е от тези Специални условия, може да доведе до запалване на потенциално взривоопасна среда.
- Само моделите помпи, отговарящи на изискванията на Директивата ATEX на ЕС, трябва да се използват в потенциално взривоопасна среда.
- Някои видове прах може да се възпламени при температурните граници на повърхността на помпата. Осигурете подходяща грижа с цел да се предотврати натрупването на прах по помпата.
- Статични искри могат да предизвикат експлозия, която да доведе до тежко нараняване или смърт. Заземете помпата и системата за помпане. Консултирайте се с местните, регионални и национални кодове на сградата и електричество.
- Статични искри могат да възпламенят запалителни материали и изпарения.
- Помпата и смукателният / нагнетателният щуцер трябва да се заземят, когато се използват там където околната среда благоприятства самозапалването.
- Използвайте клемата за съединителна лента върху рамката или корпуса на помпата за свързване с добър източник на заземяване.
- След заземяване, периодично проверявайте непрекъснатостта на електрическия път към земята. За да се уверите в непрекъснатостта, проверете всеки компонент с омметър (напр. маркучи, помпа, скоби, съд и др.).
- Дръжте запалителните течности / флуиди далече от топлина, открити пламъци и искри.
- Ако се наблюдават високи температури или повишени нива на вибрация, изключете помпата и преустановете използването ѝ, докато не бъде прегледана и/или поправена.
- Не извършвайте обслужване или поправка на място, където съществува взривоопасна среда.
- Изтичащите флуиди могат да предизвикат опасност от експлозия.
- Спукване на маркуча може да предизвика изтичане на флуид и да създаде риск от потенциално взривоопасна среда.



ПЕРИСТАЛТИЧНИ ПОМПИ

Информация за безопасността на продукта

КОГАТО ПУСКАТЕ ПОМПАТА В ЕКСПЛОАТАЦИЯ

ВНИМАНИЕ!

- Уверете се, че електрическата инсталация е изпълнена от квалифициран електротехник.
- Блокирайте / поставете табелка с надпис на главното електрозахранване, за да предотвратите възможност за подаване на захранване към помпата по време на монтаж / обслужване.
- Собственикът / изпълнителят на електротехническата част трябва да оразмери захранващите кабели, за да е сигурен, че веригата е балансирана и няма да се претовари от друго електрическо оборудване.
- Свързвайте помпата само към електрически системи, които са съвместими с електрическите ѝ характеристики и които са в рамките на нейния номинален капацитет. Не свързвайте към електрозахранване с неподходящо напрежение и / или честота.
- На входната линия монтирайте главен прекъсвач. Помпата не е снабдена с електрическо разединяващо устройство. Собственикът отговаря за устройството и монтажа на защита срещу изключване, свръхнапрежение, къси съединения и претоварване.
- При всяка операция / обслужване на помпата е необходимо да се уверите, че помпата е спряна и електрозахранването е прекъснато.
- Пусковата система на двигателя трябва да бъде снабдена с инвертор на посоката, бутон за спиране и пускане, и бутон за аварийно спиране (заедно с помпата) по такъв начин, че с помпата да може да се работи в пълна безопасност.
- Винаги проверявайте дали напрежението на помпата на табелката с данни съответства на напрежението на инсталацията, преди да включите помпата в степен контакт, или да я свържете с електрозахранване. Ако не сте сигурни, поискайте помпата да бъде проверена и монтирана от лицензиран електротехник.
- За да се намали опасността от електрически удар, винаги прекъсвайте захранването на помпата преди обслужване, поправка или преместване.
- Осигурете подходящо заземяване, отстояние и мълниеводи на всички електрически компоненти.
- Проверете връзките за заземяване след първоначалния монтаж и проверявайте периодично след това, за да се поддържа добър контакт и непрекъснатост на линията.

Манипулиране

ПРЕДУПРЕЖДЕНИЕ!

Спазвайте следните инструкции при вдигане на помпата:

- Вдигайте цялата помпа с помощта на отворите / ръбестените за вдигане плюс допълнителна опора на предавателната кутия и двигателя с помощта на ремъци и въжета с подходящи характеристики.
- Винаги използвайте подемно оборудване със съответната товароподемност. Никога не превишавайте горните граници на подемното оборудване.
- Помпата обикновено се накланя към страната на корпуса поради центъра на тежестта. Уверете се, че персоналят е на безопасно разстояние от помпата, за да се избегне опасност от нараняване при вдигането ѝ.
- Никога не вдигайте помпата за смукателния / нагнетателния щуцер.

Монтаж

- Преди монтаж проверете модела / конфигурацията на помпата.
- Монтирайте помпата на проветриво място, далеч от източници на топлина. Осигурете достатъчно пространство зад кожата на вентилатора на двигателя, за да няма препятствия за притока на въздух.
- Разположението на помпата трябва да позволява лесен достъп за всички дейности по обслужването.
- Помпите са тествани във вода при сплыването. Преди монтаж промийте помпата със съвместим флуид.
- Пазете помпата от външна повреда и не използвайте помпата като конструкция за подпиране на тръбната система. Уверете се, че компонентите на системата имат добра опора, за да предотвратят натиск върху частите на помпата.

КОГАТО ИЗПОЛЗВАТЕ ПОМПАТА

OSTRZEZENIE!

- Максималната температура на повърхността зависи от условията за работа на двигателя, помпата и триенето на маркуча. Не превишавайте ограниченията за максималната температура. Направете справка в ръководството за употреба за ограниченията за максималната температура.
- Високото налягане може да причини телесно нараняване, смърт, повреда на помпата или материални щети. Уверете се, че свързващите маркучи и останалите тръбни компоненти могат да издържат на налягането на течността, създадено от тази помпа.
- Не превишавайте максималното налягане на веществото при нито един компонент на системата.
- Не обслужвайте и не почиствайте помпата и маркучите, докато помпата работи.
- При смяна на маркуч, той може да изскочи от корпуса на помпата много бързо и да причини нараняване. Не трябва да има хора пред смукателната / нагнетателната страна на помпата по време на смяна на маркуча.
- Повреда в помпата, предизвикана от неправилен монтаж или натиск на тръбите, и външна повреда могат да доведат до изтичане на течност.
- Недостатъчната смазка в помпата може да генерира повърхностна температура, по-висока от препоръчителната за помпата температурна граница. Направете справка в ръководството за употреба за изискванията за смазване.
- Уверете се, че всички оператори на помпата са обучени на практика за безопасна работа, разбират ограниченията ѝ и носят подходяща защита за зрението, слуха и други средства за защита на персонала според необходимостта.



ПЕРИСТАЛТИЧНИ ПОМПИ

Информация за безопасността на продукта

ПРЕДУПРЕЖДЕНИЕ!

- Не пускайте помпата, без най-напред да сте монтирали предния капак.
- Смукателният и нагнетателният щуцер трябва да са съвместими с веществото, което се изпомпва.
- Пазете помпата от ненужни повреди. Не оставяйте помпата да работи продължително без материал.
- Когато системата е в покой продължително време, откачайте линията за захранване от помпата.
- Проверете химическата съвместимост на маркуча и материала за поместване с веществото, което се изпомпва. Химическата съвместимост може да се променя според температурата и концентрацията на химикала(-ите) във веществата, които се изпомпват. Консултирайте се с производителя на химикалите относно съвместимостта на конкретен флуид.

Експлоатация

ВНИМАНИЕ!

- Уверете се, че всички защити (капак, стъкло за наблюдение, кожух на вентилатора и предпазителя на съединението) са на местата си, преди да работите с помпата.
- Пуснете помпата, само след като всички електрически и механични връзки са щателно проверени.
- Експлоатационният живот на маркуча или на продукта / предотвратяването на загуба на флуид не се гарантират от ALBIN PUMP. Собственикът отговаря за монтирането на детектори за загуба на флуид.
- Спукването на маркуча може да доведе до запълване на корпуса на помпата с изпомпвания продукт и до изтичане на продукт от помпата. Препоръчва се детектор за изтичане и автоматичен клапан за спиране, за да се избегнат тези явления.
- Тъй като помпата е обемна, тя може да качи високо налягане, дори от частично запушване на нагнетателната линия. Уверете се, че защитите са на местата си, за да се избегне запушване на нагнетателната линия.
- Прекомерно налягане върху веществата. Припрекомерно излагане на течността от каналите завещства на повишени температури се явява термично увеличение, което води до пробив в системата. Монтирайте клапа за освобождаване на налягането в помпената система.
- Опасни вещества. Възможно е да причини сериозно нараняване или щети на собствеността. Не опитвайте да върнете помпа, която съдържа опасни вещества, в завода или сервизния център. Практиките за безопасна работа трябва да са в съответствие с местните и националните закони и изискванията за безопасност.

БЕЛЕЖКА : Обърнете се към ръководството с инструкции за помпа и модел на конкретни безопасност информация.



ПЕРИСТАЛТИЧНИ ПОМПИ

Информация за безопасността на продукта

ИДЕНТИФИКАЦИЯ НА СИМВОЛИТЕ ЗА БЕЗОПАСНОСТ



Гореща
повърхност



Опасност от
експлозия
от статични искри



Опасност от
притискане



Atex Equipment



Прочетете
Приложени
Ръководства
с продукта

ОБЯСНЕНИЕ НА СИГНАЛНИТЕ ДУМИ ЗА БЕЗОПАСНОСТ

NIEBEZPIECZENSTWO! Показва непосредствена опасна ситуация която, ако не се избегне, ще има за резултат смърт или сериозно нараняване.

OSTRZEZENIE! Показва потенциално опасна ситуация която, ако не се избегне, ще има за резултат смърт или сериозно нараняване.

UWAGA! Показва потенциално опасна ситуация която, ако не се избегне, ще има за резултат леко или средно нараняване или материална щета.

INFORMACJA! Показва информация или фирмена политика, която директно или индиректно се отнася до безопасността на персонала или защита на имуществото.

ИНФОРМАЦИЯ ЗА ДЕТАЙЛИТЕ НА ПРОДУКТА

ПРЕДУПРЕЖДЕНИЕ!

Използването на друг резервни части освен истински ALBIN PUMP може да предизвика застрашена безопасност, намалена производителност на инструмента и повишена поддръжка, и може да анулира всички гаранции. Ремонтването трябва да се извършва само от оторизиран обучен персонал. Консултирайте се с най-близкия Ви упълномощен сервизен център на ALBIN PUMP. Оригиналният език на това ръководство е английски.

Ръководствата могат да бъдат изтеглени от www.albinpump.com

За всички комуникации се обръщайте към най-близкия офис или дистрибутор на ALBIN PUMP.



POMPE PERISTALTICE

Informații privind siguranța produsului

DESCRIEREA PRODUSULUI

Pompa peristaltică cu furtun este o pompă cu deplasament rotativ pozitiv, acționată cu motor electric, ce conține un furtun care este comprimat mecanic succesiv pentru a obține acțiunea de pompare. Aceste pompe sunt utilizate pentru a pompa produse a căror compatibilitate cu furtunul trebuie verificată înainte de operare. Oricare altă utilizare poate determina deteriorarea echipamentului și / sau vătămări corporale grave sau decesul.

INFORMAȚII GENERALE PRIVIND SIGURANȚA PRODUSULUI

AVERTIZARE!

- Nu utilizați pompa înainte de a citi manualul(ele) furnizate împreună cu acest produs.
 - Citiți toată documentația furnizată împreună cu produsul.
 - Contactați ALBIN PUMP sau cel mai apropiat Distribuitor dacă aveți dubii în legătură cu instrucțiunile de instalare, operare, inspectare și întreținere.
 - Nu aruncați manualele. Păstrați manualele la îndemâna întregului personal.
- Instalați, utilizați, inspectați și întrețineți întotdeauna acest produs în conformitate cu toate standardele și reglementările aplicabile (locale, de stat, naționale, federale etc.).
- Purtați întotdeauna ochelari de protecție când utilizați pompa sau efectuați lucrări de întreținere la aceasta.
- Purtați întotdeauna căști antifonice la operarea pompei.
- Utilizați întotdeauna Echipament Individual de Protecție corespunzător pompei utilizate și materialului de lucru. Acesta ar putea include mască împotriva prafului sau alte dispozitive pentru respirat, ochelari de protecție, dopuri pentru urechi, mănuși, șorț, încălțăminte de siguranță, cască de protecție și alte echipamente.
- Nu modificați pompa, dispozitivele de siguranță sau accesoriile.
- Utilizați accesorii recomandate de ALBIN PUMP.

Transport și depozitare

- Depozitați la loc uscat. Nu scoateți produsul din cutie / ambalaj în timpul depozitării.
- Nu scăpați sau deteriorați cutia / ambalajul. Manipulați cu atenție.

POMPE PERISTALTICE CU FURTUN UTILIZATE ÎN ATMOSFERE POTENȚIAL EXPLOZIVE (ATEX)

Declarația de conformitate din Manualul de instrucțiuni menționează că anumite modele de pompe sunt în conformitate cu Directiva Comunității Europene 2014/34/EC pentru echipamente destinate utilizării în atmosfere posibil explozive, de obicei numită Directiva ATEX. Consultați etichetele aflate pe produs în apropierea sau pe plăcuța cu date tehnice (de identificare), pentru specifiții concrete ATEX. Produsele nemarcate ca atare nu sunt adecvate pentru utilizarea în nicio atmosferă potențial explozivă (ATEX). Consultați Manualul de instrucțiuni pentru mai multe informații referitoare la model.

CONDIȚII SPECIALE PENTRU POMPELE UTILIZATE ÎN ATMOSFERE POTENȚIAL EXPLOZIVE (ATEX)

AVERTIZARE!

- Nerespectarea oricăreia dintre aceste "Condiții speciale" ar putea duce la aprinderea atmosferelor potențial explozive.
- Doar modelele de pompă conforme cu Directiva ATEX" CE trebuie utilizate în atmosferele potențial explozive.
- Anumite pulberi se pot aprinde la temperaturile limită ale suprafeței pompei. Asigurați curățenia corespunzătoare pentru a elimina acumularea de praf pe pompă.
- Scânteele statice pot determina explozii ce pot provoca vătămări corporale grave sau decesul. Împănânați pompa și sistemul de pompare. Consulta codurile locale, regionale și naționale de clădire și de energie electrică.
- Scânteele statice pot aprinde materialul și vaporii inflamabili.
- Pompa și racordurile de aspirație / evacuare trebuie să fie împănâmate atunci când sunt utilizate într-o locație unde atmosfera înconjurătoare facilitează combustia spontană.
- Utilizați terminalul cablului de contact furnizat pe cadrul sau carcasa pompei pentru a realiza conectarea la o sursă de împănântare bună.
- După împănântare, verificați periodic continuitatea circuitului electric față de pământ. Testați cu ohmmetrul de la fiecare componentă (de ex. furtunuri, pompă, cleme, recipient etc.) față de pământ pentru a asigura continuitatea.
- Țineți lichidele / fl uiddele inflamabile departe de căldură, fl acără deschisă și scântee.
- În cazul în care se detectează temperaturi ridicate sau niveluri ridicate de vibrație, opriți pompa și încetați să o mai utilizați până când aceasta poate fi inspectată și/sau reparată.
- Nu efectuați lucrări de întreținere sau reparații într-o zonă unde sunt prezente atmosfere explozive.
- Pierderile de fl uide pot determina pericole potențiale de explozie.
- Ruperea furtunului poate determina pierderi de fl uid și poate crea atmosfere potențial explozive.



POMPE PERISTALTICE

Informații privind siguranța produsului

LA PUNEREA ÎN FUNCȚIUNE A POMPEI

AVERTIZARE!

- Conectarea la sursa de curent trebuie să fi realizată de către un electrician calificat.
- Deconectați / scoateți din uz sursa principală de curent pentru a preveni posibilitatea alimentării cu curent a pompei în timpul instalării / lucrărilor de întreținere.
- Proprietarul / contractantul de servicii de electricitate trebuie să etaloneze cablurile de alimentare cu curent pentru a se asigura că circuitul electric este echilibrat și că nu este suprasolicitat de către alte echipamente electrice.
- Conectați pompa numai la sisteme electrice care sunt compatibile cu caracteristicile sale electrice și care sunt în limitele capacității sale nominale. Nu conectați pompa la o sursă de curent cu tensiune și/sau frecvență incorectă.
- Montați un întrerupător de deconectare pentru conducta principală pe conducta de alimentare. Pompa nu este echipată cu dispozitiv de întrerupere a alimentării cu curent. Proprietarul este responsabil cu proiectarea și montarea elementelor de protecție la decuplare, suprasarcină, scurtcircuit și supratensiune.
- Pentru orice operațiune / lucrare de întreținere a pompei, este necesar să vă asigurați că pompa este oprită și că alimentarea electrică este deconectată.
- Sistemul de pornire a motorului ar trebui să fi prevăzut cu invertor de direcție, buton oprire-pornire și buton de oprire de urgență (împreună cu pompa), astfel încât pompa să poată fi utilizată în condiții de siguranță totală.
- Asigurați-vă întotdeauna că tensiunea de pe plăcuța cu date tehnice a pompei corespunde cu tensiunea de instalare înainte de a conecta pompa la o priză de perete sau la o sursă de energie electrică. Dacă nu sunteți siguri, chemați un electrician autorizat să inspecteze și să instaleze pompa.
- Pentru a reduce riscul de electrocutare - înainte de lucrări de întreținere, reparații sau mutare, întotdeauna deconectați sursa de energie electrică a pompei.
- Asigurați o împănântare și o distanță corespunzătoare, precum și paratrăsnete adecvate pentru toate componentele electrice.
- Verifi cați racordurile de împănântare după instalarea inițială și după aceea periodic, pentru a asigura menținerea unui contact bun și a unei bune continuități.

Manipulare

ATENȚIE!

Urmați aceste instrucțiuni atunci când ridicați pompa :

- Ridicați întreaga pompă utilizând găurile / inelele de ridicare, cu sprijin suplimentar pentru cutia de viteze și motor, utilizând chingi sau corzi ajustate corespunzător.
- Întotdeauna utilizați echipamente de ridicare de capacitate adecvată. Nu depășiți niciodată limitele superioare ale echipamentelor de ridicare.
- Pompa va avea tendința de a se înclina spre partea cu carcasa acesteia datorită centrului de greutate. Asigurați-vă că personalul se află la o distanță sigură față de pompă pentru a evita oricare risc de vătămare în timp ce aceasta este ridicată.
- Nu ridicați niciodată pompa utilizând racordurile de aspirație / evacurare.

Instalare

- Verificați modelul de pompă / confi gurarea corectă înainte de instalare.
- Instalați pompa într-o zonă bine aerisită, departe de surse de căldură. Asigurați suficient spațiu în spatele capacului ventilatorului motorului astfel încât admisia aerului să nu fi obstrucționată.
- Poziția pompei trebuie să permită accesul simplu la toate operațiunile de întreținere.
- Pompele sunt testate în apă la asamblare. Spălați pompa înainte de instalare cu fluide compatibile.
- Protejați pompa de deteriorări externe și nu o utilizați pentru suportul structural al sistemului de tuburi. Asigurați-vă că elementele sistemului sunt sprijinite corespunzător pentru a preveni presiunea pe componentele pompei.

LA UTILIZAREA POMPEI

AVERTIZARE!

- Temperatura maximă la suprafața pompei depinde de condițiile de operare ale motorului, pompei și de fricțiunea furtunului. Nu depășiți limitele maxime de temperatură. Consultați Manualul de instrucțiuni pentru limitele maxime de temperatură.
- Presiunile ridicate pot determina vătămări corporale, decesul, deteriorarea pompei sau pagube materiale.
- Asigurați-vă că furtunurile de conectare și alte componente ale tubulaturii pot suporta presiunile fi uidelor, dezvoltate de această pompă.
- Nu depășiți presiunea materială maximă a niciunei componente a sistemului.
- Nu efectuați lucrări de întreținere sau de curățare asupra pompei și furtunurilor în timp ce pompa este în funcțiune.
- În timpul operațiunii de înlocuire a furtunului, acesta poate ieși foarte rapid din carcasa pompei și poate provoca răni. Niciun membru al personalului nu trebuie să stea în fața părții de aspirație / evacurare a pompei în timp ce se înlocuiește furtunul.
- Deteriorarea pompei din cauza montării necorespunzătoare sau presiunii tubulaturii și deteriorării externe poate determina scurgere de fluide.
- Nivelul insuficient de lubrifi ant în pompă poate genera la suprafața pompei temperaturi mai mari decât limita de temperatură recomandată a pompei. Consultați Manualul de instrucțiuni pentru cerințele referitoare la lubrifi ere.
- Asigurați-vă că toți operatorii pompei au fost instruiți în legătură cu practicile de lucru în siguranță, că sunt la curent cu limitările pompei și că poartă protecție corespunzătoare pentru ochi, urechi și altele, după cum este necesar.



POMPE PERISTALTICE

Informații privind siguranța produsului

ATENȚIE!

- Не пускайте помпата, без най-напред да сте монтирали предния капак.
- Смукателният и нагнетателният щуцер трябва да са съвместими с веществото, което се изпомпва.
- Пазете помпата от ненужни повреди. Не оставяйте помпата да работи продължително без материал.
- Когато системата е в покой продължително време, откачайте линията за захранване от помпата.
- Проверете химическата съвместимост на маркуча и материала за поместване с веществото, което се изпомпва. Химическата съвместимост може да се променя според температурата и концентрацията на химикала(-ите) във веществата, които се изпомпват. Консултирайте се с производителя на химикалите относно съвместимостта на конкретен флуид.

Operare

AVERTIZARE!

- Асигураți-vă că toate protecțiile (a capacului, a ferestrei de urmărire, a capacului ventilatorului și a cuplajului) sunt fi ecare la locul său, înainte de a utiliza помпата.
- Пунеți в funcțiune помпата doar după ce toate racordurile electrice și mecanice sunt verifi cate minuțios.
- Durata de viață a furtunului sau prevenirea pierderii de produse / fl uide nu este garantată de ALBIN PUMP. Инсталацията на детекторите на пьереде а fl uidelor este responsabilitatea proprietarului.
- Руперия фуртунулул може дуре ла имплерия каркасей помпей ку продусл помпат și сургерия продуслу афар дин помпă. Pentru prevenirea unor astfel de situații, се recomandă un detector de scurgeri și o valvă automată de închidere.
- Fiind volumetrică, помпата може дезволта presiuni ridicate chiar și prin blocajul parțial al conductei de evacuare. Асигураți-vă că protecțiile sunt la locul lor pentru a preveni orice blocaj al conductei de evacuare. Consultați Manualul de instrucțiuni pentru recomandări.
- Presiune excesivă în material. Dilatarea termică apare atunci când fl uidul din linia cu materialul de lucru este expus la temperaturi ridicate determinând ruperea sistemului. Montaji o supapă de protecție la reductoare de presiune în sistemul de pompare.
- Materiale periculoase. Pot provoca vătămăre corporală gravă sau pagube materiale. Nu incercați să restituiți o помпă la fabrică sau la centrul de service dacă aceasta conține materiale periculoase. Practicile de manipulare în condiții de siguranță trebuie să respecte legislația națională și locală precum și condițiile codului de securitate.

NOTA : Consultați manualul de instrucțiuni pentru помпата & Model informații specifi ce de siguranță.



POMPE PERISTALTICE

Informații privind siguranța produsului

IDENTIFI CAREA SIMBOLURILOR DE SIGURANȚĂ



Suprafață fi
erbinte



Scântei statice
Pericol de explozie



Pericol de strivire



Atex Equipment



Citește Manuale
Furnizate
cu produse

EXPLICAȚIA CUVINTELOR CARE ÎNSOȚESC SEMNELE DE SIGURANȚĂ

PERICOLI Indică o situație periculoasă iminentă care, dacă nu este evitată, poate cauza decesul sau vătămarea corporală gravă.

AVERTIZARE! Indică o situație potențial periculoasă care, dacă nu este evitată, poate cauza decesul sau vătămarea corporală gravă.

ATENȚIE! Indică o situație potențial periculoasă care, dacă nu este evitată, poate cauza vătămarea corporală minoră sau moderată, sau pagube materiale.

NOTĂ! Indică informații sau politici ale companiei legate direct sau indirect de siguranța personală sau de protecția proprietăților.

INFORMAȚII PRIVIND COMPONENTELE PRODUSULUI

ATENȚIE!

Utilizarea de alte piese de schimb decât cele originale ALBIN PUMP poate determina riscuri pentru siguranță, performanțe reduse ale dispozitivului și costuri de întreținere mai mari, și poate invalida toate garanțiile. Reparațiile se vor efectua numai de personal pregătit autorizat. Consultați cel mai apropiat centru service autorizat ALBIN PUMP.

Limba originală a acestui manual este engleza.

Manualele pot fi descărcate de pe internet de la adresa www.albinpump.com

Orice comunicare va fi adresată celei mai apropiate reprezentanțe sau distribuitor ALBIN PUMP.



PERİSTALTİK POMPALAR

Ürün Emniyet Bilgileri

ÜRÜN AÇIKLAMASI

Peristaltik Hortumlu Pompa; elektrik motoruyla çalışan, pompalama eylemini gerçekleştirmek üzere mekanik olarak arka arkaya sıkıştırılan bir hortuma sahip, döner tip pozitif yer değiştirmeli bir pompadır. Bu pompalar işlemden önce hortumla uyumlu oldukları doğrulanması gereken ürünleri pompalamak için kullanılır. Başka türlü kullanım ekipman hasarına ve / veya ciddi yaralanmalara ya da ölüme neden olabilir.

GENEL ÜRÜN EMNİYET BİLGİLERİ

UYARI!

- Bu ürünle birlikte gelen elkitaplarını okumadan ürünü çalıştırmayın.
- Ürünle birlikte gelen tüm belgeleri okuyun.
- Montaj, çalıştırma, muayene ve bakım talimatları ile ilgili tereddüdünüz varsa ALBIN PUMP veya en yakın Distribütör'e başvurun.
- El kitaplarını atmayın. El kitaplarını tüm personelin kullanabileceği şekilde bulundurun.
- Bu ürünün montajını, çalıştırmasını ve bakımını her zaman yürürlükteki standartlara ve düzenlemelere (yerel, idari, ulusal, federal vb.) uygun olarak yapın.
- Bu pompayı çalıştıran veya bakımını yaparken her zaman göz koruyucu ekipman kullanın.
- Bu pompayı çalıştıran her zaman koruyucu işleme koruyucu ekipman kullanın.
- Her zaman kullanılan pompaya ve üzerinde çalışılan malzemeye uygun Kişisel Koruma Ekipmanı kullanın. Bu, toz maskesi veya diğer solunum cihazlarını, koruyucu gözlükleri, kulak tıkaçlarını, eldivenleri, önlükleri, koruyucu ayakkabıları, baretleri ve diğer ekipmanları kapsayabilir.
- Pompanın, güvenlik cihazlarının veya aksesuarların üzerinde değişiklik yapmayın.
- ALBIN PUMP tarafından önerilen aksesuarları kullanın.

Taşıma ve Depolama

- Kuru bir yerde depolayın. Depolama sırasında ürünün kutu / ambalajdan çıkarmayın.
- Kutu / ambalajı düşürmeyin veya hasar vermeyin. Dikkatli taşıyın.

POMPE PERISTALTİCE CU FURTUN UTILIZATE ÎN ATMOSFERE POTENȚIAL EXPLOZIVE (ATEX)

Talimat Elkitabındaki Uygunluk Beyanatu, bazı pompa modellerinin, genel olarak ATEX Yönetmeliği olarak adlandırılan, potansiyel patlayıcı ortamlarda kullanılmak üzere üretilmiş ekipmanlara yönelik Avrupa Birliği Yönetmeliği 2014/34/EC ile uyumlu olduğunu belirtir. İlgili ATEX bilgisi için ürünün veri (ad) plakasının yanında veya üstünde bulunan etikete bakın. Bu şekilde işaretlenmemiş ürünler potansiyel patlayıcı ortamlarda (ATEX) kullanılmak üzere uygun değildir. Daha fazla model açıklaması için Talimat El Kitabına başvurun.

POTANSİYEL PATLAYICI ORTAMLARDA (ATEX) KULLANILAN POMPALAR İÇİN ÖZEL KOŞULLAR

UYARI!

- Bu "Özel Koşullar" a uyulmaması potansiyel patlayıcı ortamların tutuşmasına neden olabilir.
- Potansiyel patlayıcı ortamlarda yalnızca AB "ATEX Yönetmeliği" ne uygun pompa modelleri kullanılmalıdır.
- Bazı tozlar pompa yüzeyi sıcaklık sınırında tutuşabilir. Pompa üzerinde toz birikmesini engellemek için düzgün bir biçimde temizlik yapıldığından emin olun.
- Statik kıvılcımlar ciddi yaralanmalara veya ölüme yol açan patlamaya neden olabilir. Pompa ve pompa sistemini topraklayın. Yerel, bölgesel ve ulusal elektrik ve inşaat kodları başvurun.
- Statik elektrik nedeniyle oluşan kıvılcımlar yanıcı maddeleri ve buharları tutuşturabilir.
- Pompa ve emme / boşaltma bağlantıları, çevredeki ortamın anında patlama için ilekten olduğu yerlerde kullanıldığında topraklanmalıdır. İyi bir topraklama kaynağına bağlantı yapmak için pompa çerçevesi veya gövdesi üzerinde sunulan bağlantı kayışını kullanın.
- Topraklamayı gerçekleştirdikten sonra toprağa çiden elektrik yolunun sürekli olup olmadığını düzenli aralıklarla kontrol edin. Sürekli sağlamlık için her bir parçanın (örn. hortumlar, pompa, kelepçeler, muhafaza vb.) topraklamasını bir direnç ölçerle test edin.
- Yanıcı sıvılar / akışkanları ısıdan, açık ateşten ve kıvılcımlardan uzak tutun.
- Yüksek sıcaklık veya yüksek titreşim seviyeleri tespit edilirse pompayı kapatın ve muayene edilene ve/veya onarılan kadar pompayı kullanmayın.
- Patlayıcı ortamın bulunduğu bir alanda bakım veya onarım gerçekleştirmeyin.
- Sızan sıvılar potansiyel patlama tehlikesine neden olabilir.
- Hortum yırtılması sıvı sızıntısına neden olabilir ve potansiyel patlayıcı ortamlar oluşturabilir.



PERİSTALTİK POMPALAR

Ürün Emniyet Bilgileri

POMPAYI HİZMETE SOKARKEN

UYARI!

- Elektrik montajının yetkili bir elektrik teknisyeni tarafından yapılmasını sağlayın.
- Montaj sırasında pompaya enerji uygulanması olasılığını önlemek için ana elektrik hattındaki enerjiyi kesin ve ilgili anahtar uyarı etiketi takın.
- Sahip/elektrik işleri yüklenicisi besleyici kablolarını devrenin dengeli olmasını ve diğer elektrik ekipmanları tarafından aşırı yüklenmesini sağlayacak şekilde boyutlandırmalıdır.
- Pompayı, sadece elektrik özellikleriyle uyumlu olan ve pompa nominal kapasitesi dahilinde olan elektrik sistemlerine bağlayın. Doğru olmayan gerilim ve/veya frekansa sahip bir elektrik hattına bağlamayın.
- Ana hat bağlantı kesme anahtarını gelen hatta monte edin. Pompada elektrik bağlantısı kesme cihazı yoktur. Bağlantı kesme, aşırı voltaj, kısa devre ve aşırı yüklenme koruması tasarımı ve montajından sahip sorumludur.
- Pompadaki herhangi bir işlem / bakım için pompanın durdurulduğundan ve elektrik kaynağı bağlantısının kesildiğinden emin olun.
- Motorun başlatma sistemi pompanın tam güvenlikle çalıştırılmasını sağlayacak şekilde (pompayla birlikte) yön çevirici, dur-devam düğmesi ve acil durdurma düğmesine sahip olmalıdır.
- Pompayı prize takmadan veya bir elektrik kaynağına bağlamadan önce pompa bilgi levhasındaki voltajın montaj voltajı ile eşleştiğinden her zaman emin olun. Emin değilseniz pompanızın muayenesini ve montajını lisanslı bir elektrikçiye yaptırın.
- Elektrik çarpması riskini azaltmak için bakım, onarım veya taşımadan önce her zaman pompanın elektrik bağlantısını kesin.
- Tüm elektrikli bileşenler için uygun topraklama, bakım boşluğu ve paratoner ekipmanı sağlayın.
- Topraklama bağlantılarını temassızlığa veya kesintilere karşı ilk montaj sonrasında, ardından da düzenli olarak kontrol edin.

Taşıma

İKAZ!

Pompayı kaldırırken şu talimatlara uyun:

- Kaldırma deliklerini / halkalarını kullanarak ve ayrıca dışı kutusu ile motoru uygun kayış ve askılara destekleyerek tüm pompayı kaldırın.
- Her zaman uygun kapasitede kaldırma ekipmanı kullanın. Kaldırma ekipmanın üst sınırlarını asla aşmayın.
- Ağırılık merkezinden dolayı pompa pompa muhafazası tarafına doğru eğilmeye meyillidir. Kaldırılırken herhangi bir yaralanma riskinden kaçınmak için personelin pompadan güvenli bir uzaklıkta olduğundan emin olun.
- Pompayı asla emme / boşaltma bağlantılarından kaldırmayın.

Installation

- Montaj öncesi doğru pompa modelini / yapılandırmasını doğrulayın.
- Pompayı iyi havalandırılan bir alanda sıvı kaynaklarından uzakta monte edin. Hava girişini engellemek için motor havalandırma kapağı arkasında yeterince alan olmasını sağlayın.
- Pompanın konumu tüm bakım işlemleri için kolay erişim sağlayacak şekilde olmalıdır.
- Pompalar üretim sırasında suda test edilir. Montajdan önce pompayı uygun bir sıvı ile temizleyin.
- Pompayı dış hasarlardan koruyun ve tesisat sisteminin yapışal desteği olarak kullanmayın. Pompa parçalarının üzerindeki gerilimi engellemek için sistem parçalarının uygun bir biçimde desteklendiğinden emin olun.

POMPAYI KULLANIRKEN

UYARI!

- Maksimum yüzey sıcaklığı motor ile pompanın çalışma koşullarına ve hortum sürtünmesine bağlıdır. Maksimum sıcaklık sınırlarını aşmayın. Maksimum sıcaklık sınırları için Talimat El Kitabına başvurun.
- Yüksek Basınç kişisel yaralanmalara, ölüme, pompanın zarar görmesine veya mal zararına neden olabilir.
- Bağlantı hortumlarının ve diğer tesisat parçalarının bu pompa tarafından oluşturulan sıvı basınçlarına dayanabileceğinden emin olun.
- Sistemdeki hiç bir parça için maksimum malzeme basıncını aşmayın.
- Pompa çalışır durumdayken pompaya ve hortumlara bakım veya onarım yapmayın.
- Hortum değişimi sırasında hortum pompa muhafazasından çok hızlı bir şekilde çıkarılabilir ve zarara neden olabilir. Hortumu değiştiren hiç bir personel pompanın emme / boşaltma tarafının önünde bulunmamalıdır.
- Uygun olmayan montaj veya tesisat geriliminden ve harici hasardan dolayı oluşan pompa hasarı sıvı sızıntısına neden olabilir.
- Pompadaki yetersiz yağlama maddesi seviyeleri pompanın önerilen sıcaklık sınırlarından yüksek yüzey sıcaklıkları oluşturabilir. Yağlama maddesi gereksinimleri için Talimat El Kitabına başvurun.
- Pompanın tüm operatörlerinin emniyetli çalışma uygulamaları için eğitildiğinden, bunun getirdiği sınırlamaları anladığından ve gerektiği gibi uygun göz, işitme ve diğer personel koruma ekipmanlarını kullandığından emin olun.



PERİSTALTİK POMPALAR

Ürün Emniyet Bilgileri

İKAZ!

- Öncelikle ön kapağı takmadan pompayı çalıştırmayın.
- Emme ve boşaltma bağlantıları pompalanan madde ile uyumlu olmalıdır.
- Pompaya verilebilecek gereksiz zarardan kaçının. Pompanın uzun süreler boyunca malzemesiz çalışmasına izin vermeyin.
- Sistem uzun süre kullanılmayacaksa pompanın elektrik bağlantısını kesin.
- Hortum ve bağlantı yuvası malzemesinin pompalanan madde ile kimyasa uygunluğunu doğrulayın. Kimyasal uyumluluk sıcaklıkla ve pompalanan maddelerin içindeki kimyasalların konsantrasyonuyla değişebilir ilgili sıvı uyumluluğu için kimyasal üreticisine başvurun.

Montaj

UYARI!

- Montaj öncesi doğru pompa modelini / yapılandırmasını doğrulayın.
- Pompayı iyi havalandırılan bir alanda ısı kaynaklarından uzakta monte edin. Hava girişini engellemek için motor havalandırma kapağı arkasında yeterince alan olmasını sağlayın.
- Pompanın konumu tüm bakım işlemleri için kolay erişim sağlayacak şekilde olmalıdır.
- Topraklama kablosunu verilen bağlama kayısını kullanarak takın.
- Pompalar üretim sırasında suda test edilir.
- Aşırı materyal basıncı. Materyal yolundaki sıvı yüksek sıcaklığa maruz kaldığında termal genişleme meydana gelecek ve sistemin bozulmasına yol açacaktır. Pompalama sistemine bir basınç azaltıcı valf yerleştiriniz.
- Tehlikeli materyaller. Ciddi yaralanmalara ya da maddi hasara yol açabilir. İçinde tehlikeli materyal bulunan bir pompayı fabrika ya da bakım merkezine geri göndermeyiniz. Güvenli kullanım uygulamaları yerel ve ulusal kanunlar ve güvenlik kuralları gerekliliklerine uygun olmalıdır.

DİKKAT : Pompa ve modeli belirli güvenlik bilgileri için talimat kılavuzuna bakın.



PERİSTALTİK POMPALAR

Ürün Emniyet Bilgileri

EMNİYET SEMBOLÜ AÇIKLAMASI



Sıcak Yüzey



Statik Elektrik
Nedeniyle Oluşan
Kıvılcım
Patlama Tehlikesi



Ezilme Tehlikesi



Atex Equipment



Verilen Kılavuzları Oku
Ürün ile

GÜVENLİK SINYALI SÖZCÜKLERİNİN AÇIKLAMASI

TEHLİKE! Gerekli önlem alınmazsa ölümlü ya da ciddi yaralanmayla sonuçlanacak tehlike olasılığını bildirir.

UYARI! Gerekli önlem alınmazsa ölümlü ya da ciddi yaralanmayla sonuçlanabilecek potansiyel tehlike durumu bildirir.

İKAZ! Gerekli önlem alınmazsa hafif ya da orta derece yaralanmayla sonuçlanabilecek potansiyel tehlike durumu bildirir.

DİKKAT! Personel güvenliği ya da mülkün korunması ile ilişkili şirket politikalarını ya da bilgileri verir.

ÜRÜN PARÇALARI BİLGİSİ

İKAZ!

Sadece ALBIN PUMP eğitimli teknisyenler bu ürünlerin bakım uygulamak için izin. Ek bilgi iletişim ALBIN PUMP veya en yakın Distribütör için. Orijinal ALBIN PUMP yedek parça dışında kullanımı güvenlik tehlikesine yol açabilir, pompa performansı düşürür ve bakım arttı ve tüm garantileri geçersiz kılar.

Bu kılavuzun orijinal dili İngilizce olan. Diğer diller orijinal manuel bir çevirisi vardır.

Kılavuzlar www.albinpump.com yüklenebilir.

Yakın ALBIN PUMP Ofisi veya dağıtımçı tüm iletişim bakım.



ПЕРИСТАЛЬТИЧЕСКИЕ НАСОСЫ

Информация по безопасности при

ОПИСАНИЕ ИЗДЕЛИЯ И ПРЕДУСМОТРЕННОЕ ПРИМЕНЕНИЕ

Перистальтический шланговый насос представляет собой объёмный насос роторного типа, приводимый в действие электродвигателем. В конструкции насоса используется шланг, который периодически подвергается механическому сжатию, тем самым обеспечивая перекачивание. Перед применением таких насосов для перекачивания необходимо проверить совместимость перекачиваемого продукта с материалом шланга. Любое другое спользование может вызвать повреждение оборудования и (или) привести к серьёзным травмам, в том числе со смертельным исходом.

ОБЩАЯ ИНФОРМАЦИЯ ПО БЕЗОПАСНОМУ ИСПОЛЬЗОВАНИЮ ИЗДЕЛИЯ

Предупреждение!

- Не эксплуатируйте изделие, пока не прочитаете поставляемую в комплекте документацию.
 - Прочтите все материалы, поставляемые с изделием.
 - Если у вас возникнут сомнения в связи с инструкциями по установке, эксплуатации, проверке и техническому обслуживанию, то обращайтесь в компанию ALBIN PUMP или к местному дистрибьютору.
 - Не выбрасывайте технические руководства. Храните документацию в удобном месте, доступном для всего персонала.
- Всегда устанавливайте, эксплуатируйте, проверяйте и обслуживайте это изделие в соответствии со всеми действующими стандартами и правилами (местными, областными, республиканскими, федеральными и т. д.).
- Всегда надевайте защитные очки при эксплуатации или техническом обслуживании данного насоса.
- Всегда используйте средства защиты органов слуха при эксплуатации данного насоса.
- Всегда применяйте надлежащие средства индивидуальной защиты, соответствующие используемому насосу и перекачиваемому материалу. К таким средствам можно отнести противопылевые респираторы или другие дыхательные аппараты, защитные очки, защитные наушники, перчатки, фарушки, защитную обувь, каски и другие средства защиты.
- Не модифицируйте насос, предохранительные устройства и вспомогательное оборудование.
- Используйте только рекомендованные компанией ALBIN PUMP аксессуары.

Транспортировка И Хранение

- Хранить в сухом месте. Не вынимайте изделие из ящика или упаковки во время хранения.
- Не выбрасывайте и не допускайте повреждения ящика или упаковки. Обращайтесь с изделием осторожно.

ПЕРИСТАЛЬТИЧЕСКИЕ ШЛАНГОВЫЕ НАСОСЫ, ИСПОЛЬЗУЕМЫЕ В ПОТЕНЦИАЛЬНО ВЗРЫВООПАСНЫХ СРЕДАХ (ATEX)

В заявлении о соответствии, приведённом в руководстве по эксплуатации, указано, что некоторые модели насосов соответствуют Директиве Европейского Сообщества 2014/34/ЕС по оборудованию, предназначенному для использования в потенциально взрывоопасных средах, которую обычно называют Директивой АТЕХ. Конкретная маркировка АТЕХ приводится на табличке, прикреплённой к изделию рядом с паспортной табличкой, либо непосредственно на паспортной табличке. Изделия, не имеющие такой маркировки, не пригодны для использования в любой потенциально взрывоопасной среде (ATEX). Более подробные описания моделей представлены в руководстве по эксплуатации.

ОСОБЫЕ УСЛОВИЯ ДЛЯ НАСОСОВ, ИСПОЛЬЗУЕМЫХ В ПОТЕНЦИАЛЬНО ВЗРЫВООПАСНЫХ СРЕДАХ (ATEX)

Предупреждение!

- Несоответствие любому из этих особых условий может привести к возгоранию в потенциально взрывоопасных средах.
- В таких средах должны использоваться только модели, соответствующие Директиве АТЕХ ЕС.
- Некоторые виды пыли могут возгораться при достижении предельной температуры поверхности насоса. Необходимо обеспечивать чистоту рабочей зоны, чтобы на насосе не скапливалась пыль.
- Статические разряды могут вызвать взрыв, приводящий к серьёзной травме или гибели людей. Заземлите насос и насосную систему. Консультации местных, региональных и национальных кодов здания и электричество.
- Статические разряды могут воспламенять горючие материалы и пары.
- При использовании в местах, где окружающая атмосфера способствует самопроизвольному возгоранию, необходимо заземлить насос и всасывающие/нагнетательные патрубки.
- Используйте выступ специальной металлической перемычки на раме насоса или на корпусе для подключения к надёжному заземлению.
- После заземления периодически проверяйте целостность электрической цепи до заземления. Проверяйте омметром соединение каждого элемента (например, шлангов, насоса, зажимов, резервуара и т. д.) с заземлением, чтобы убедиться в целостности цепи.
- Храните воспламеняемые жидкости и жидкотекучие материалы вдали от источников тепла, открытого пламени, искр.
- При обнаружении повышенных уровней температуры или вибрации отключите насос и прекратите его эксплуатацию до тех пор, пока он не будет проверен и (или) отремонтирован.



ПЕРИСТАЛЬТИЧЕСКИЕ НАСОСЫ

Информация по безопасности при

- Не выполняйте техническое обслуживание или ремонт в зоне, где имеются взрывоопасные среды.
- Протечки жидкостей могут привести к угрозе взрыва.
- В результате разрыва шланга может возникнуть утечка жидкости и образоваться потенциально взрывоопасная среда.

ПРИ ВВОДЕ НАСОСА В ЭКСПЛУАТАЦИЮ

Предупреждение!

- Обеспечьте выполнение работ по монтажу и подключению электрооборудования квалифицированным электриком.
- Заблокируйте главный источник электропитания и предусмотрите предупреждающую маркировку на его элементах во избежание включения электропитания насоса во время установки или технического обслуживания.
- Владелец / подрядчик на установку электрооборудования определяет диаметр питающих кабелей, обеспечивающий сбалансированность цепи и исключающий её перегрузку прочим оборудованием.
- Подключайте насос только к таким электрическим системам, которые совместимы с его электрическими характеристиками и номинальной мощностью. Не подключайте к источникам электроэнергии несоответствующими напряжением и (или) частотой.
- Устанавливайте главный разъединитель цепи на подводящей линии. Электрический разъединитель в конструкции насоса не предусмотрен. Владелец несёт ответственность за выбор конструкции и установку разъединителя, средств защиты от опасного повышения напряжения, короткого замыкания и перегрузки.
- Перед любыми операциями на насосе или его техническим обслуживанием необходимо убедиться в том, что насос остановлен, а источник электропитания отключен.
- Пусковая система электродвигателя должна иметь переключатель направления вращения, кнопку останова и кнопку аварийного останова (вместе с насосом), чтобы обеспечить полностью безопасную эксплуатацию насоса.
- Всегда проверяйте, соответствует ли напряжение насоса на паспортной табличке напряжению на месте установки, прежде чем включать насос в сетевую розетку или подключать его к источнику электропитания. Если вы не уверены, пригласите лицензированного электрика для проверки и установки насоса.
- Чтобы снизить риск поражения электрическим током, всегда отключайте электропитание насоса перед техническим обслуживанием, ремонтом или перемещением насоса.
- Обеспечьте надлежащие средства заземления, зазоры и молниезащитные разрядники для всех электрических компонентов.

Транспортировка

ОСТОРОЖНО!

При подъёме насоса соблюдайте следующие инструкции:

- Поднимайте насос в сборе с помощью подъёмных ушек или колец, используя дополнительную опору на редукторе и двигателе с применением ремней или канатов соответствующего номинала.
- Всегда используйте подъёмное оборудование надлежащей грузоподъёмности. Никогда не превышайте верхние пределы подъёмного оборудования.
- Из-за расположения центра тяжести насос имеет тенденцию опрокидываться в направлении боковой стороны корпуса. Обеспечьте, чтобы персонал находился на безопасном расстоянии от насоса для полного исключения риска травмы при подъёме насоса.
- Запрещается поднимать насос за всасывающие/нагнетательные патрубки.

Установка

- Перед установкой проверьте модель насоса и правильность конфигурации.
- Устанавливайте насос в хорошо проветриваемой зоне вдали от источников тепла. Обеспечьте достаточное пространство за кожухом вентилятора двигателя, чтобы приток воздуха происходил беспрепятственно.
- Положение насоса должно обеспечивать удобный доступ для всех операций технического обслуживания.
- Смонтируйте провод заземления с помощью предусмотренной для этого металлической перемычки.
- Насосы в сборе испытываются в воде. Промойте насос совместимой жидкостью перед установкой.
- Защищайте насос от внешних повреждений и не используйте его в качестве конструктивной опоры для системы трубопроводов. Убедитесь в том, что элементы системы имеют надлежащую опору для предотвращения механической нагрузки на детали насоса.

ПРИ ЭКСПЛУАТАЦИИ НАСОСА.

УВАЖИ!

- Максимальная температура поверхности зависит от рабочих условий двигателя, насоса и трения шланга. Не превышайте установленный предел температуры. Значения максимальной температуры приведены в руководстве по эксплуатации.
- Высокое давление может стать причиной травмы или гибели людей, повреждения насоса или имущества.
- Убедитесь в том, что соединительные шланги и другие элементы трубопроводов способны выдерживать уровни давления жидкости, возникающие при работе данного насоса.
- Не превышайте максимальное давление, допустимое для материала любого элемента системы.
- Не обслуживайте и не очищайте насос и шланги во время работы насоса.



ПЕРИСТАЛЬТИЧЕСКИЕ НАСОСЫ

Информация по безопасности при

- Во время замены шланг может слишком быстро отделиться от корпуса насоса, тем самым причинив вред. Во время замены шланга никто из персонала не должен находиться на стороне всасывания/нагнетания насоса.
- Повреждение насоса, вызванное неправильным монтажом, нагрузкой на трубопроводы или внешним повреждением, может привести к протечке жидкости.
- Недостаточное количество смазочного материала в насосе может привести к тому, что температура поверхности превысит рекомендуемый предел температуры для данного насоса. Требования к смазочным материалам приведены в руководстве по эксплуатации.
- Убедитесь в том, что все операторы насоса прошли обучение безопасным методам работы, понимают установленные ограничения, используют необходимые средства индивидуальной защиты, включая защиту органов зрения, слуха и другие средства.

ОСТОРОЖНО!

- Не запускайте насос, не установив предварительно переднюю крышку.
- Замена шланга должна выполняться при остановленном насосе и отключённом электропитании.
- Всасывающий и нагнетательный патрубки должны быть совместимыми с перекачиваемым материалом.
- Не допускайте повреждений и ненужного износа насоса. Не оставляйте насос работать на длительное время после исчерпания перекачиваемого материала.
- Отсоединяйте линию питания от насоса при продолжительном простое системы.
- Проверяйте химическую совместимость материала шланга и арматуры с перекачиваемым веществом. Химическая совместимость может меняться при изменении температуры и концентрации химикатов, входящих в состав перекачиваемых материалов. По поводу совместимости конкретной жидкости проконсультируйтесь с производителем химикатов.

Эксплуатация

Предупреждение!

- защитные устройства (крышка, смотровое стекло, кожух вентилятора и защиты муфты) находятся на месте.
- Включайте насос только после тщательной проверки всех электрических и механических соединений.
- Компания ALBIN PUMP не гарантирует определённый срок службы шланга, либо предупреждение о потере продукта или жидкости. Установку датчиков потери жидкости является обязанностью владельца.
- Повреждение шланга может привести к наполнению корпуса насоса перекачиваемым продуктом и вытеканию продукта из насоса. Для предотвращения таких случаев рекомендуется использовать датчик утечки и автоматический отсекающий клапан.
- Поскольку это насос объёмного типа, он может создавать высокое давление даже при частичной блокировке линии нагнетания. Убедитесь в наличии защитных устройств, предотвращающих блокировку линии нагнетания. Рекомендации приведены в руководстве по эксплуатации.
- Избыточное давление жидкости. Когда жидкость в трубопроводах нагревается до высоких температур, происходит тепловое расширение, способно вызывать разрушение системы. Установите в насосную систему редукционный клапан.
- Опасные жидкости. Опасные жидкости могут вызвать серьёзную травму или повреждение имущества. Не пытайтесь вернуть насос, в котором осталась опасная жидкость, на завод-изготовитель или в центр обслуживания. Правила безопасного обращения с жидкостями должны соответствовать местным и национальным законам, а также требованиям техники безопасности.

ПРИМЕЧАНИЕ: Обратитесь к инструкции для насоса и модель безопасности информации.



ПЕРИСТАЛЬТИЧЕСКИЕ НАСОСЫ

Информация по безопасности при

РАЗЪЯСНЕНИЕ ПРЕДУПРЕЖДАЮЩИХ НАДПИСЕЙ



Горячая Поверхность



Разряды Статического Электричества Взрывоопасность



Опасность Раздавливания



Atex Equipment



Прочтите Руководство Перед Эксплуатацией Изделия

РАЗЪЯСНЕНИЕ ПРЕДУПРЕЖДАЮЩИХ НАДПИСЕЙ

ТЕНЦИКЕ! Указывает на ситуацию, которая представляет непосредственную опасность и приведёт к гибели людей или серьёзным травмам, если её не предотвратить.

UYARI! Указывает на потенциально опасную ситуацию, которая может привести к гибели людей или серьёзным травмам, если её не предотвратить.

IKAZI! Указывает на потенциально опасную ситуацию, которая может привести к лёгким травмам или травмам средней тяжести, а также к повреждению имущества, если её не предотвратить.

DİKKAT! Указывает на информацию или политику компании, которая прямо или косвенно относится к безопасности персонала или к защите имущества

ИНФОРМАЦИЯ О ЗАПАСНЫХ ЧАСТЯХ ИЗДЕЛИЯ

ОСТОРОЖНО!

Использование запасных частей, отличных от подлинных частей ALBIN PUMP может привести к опасным ситуациям, снижению производительности инструмента и увеличению времени ремонта, а также к отмене всех гарантий. Ремонт должен выполняться только квалифицированными техниками. Обратитесь в ближайший ALBIN PUMP уполномоченный сервисный центр.

Оригинал этого руководства написан на английском языке.

Руководства можно загрузить с веб-страницы www.albinpump.com

Все письма следует направлять в ближайший офис или дистрибьютору ALBIN PUMP.



蠕动泵 产品安全信息

产品描述

蠕动泵是由电机驱动的旋转式正位移泵，带有一根软管，可连接进行机械压缩以实现泵送操作。这些泵能够泵送腐蚀性化学品，但在操作前需要验证兼容性以选择正确的软管材料。ALBIN 说明书定义的预期用途之外的任何其他用途都可能导致设备损坏和/或严重伤害或死亡。当地 ALBIN 经销商可随时为您提供本手册中可能找不到的信息。

一般产品安全信息

警告！

- 在阅读本产品随附的手册之前请勿操作。
 - 阅读产品随附的所有文档。
 - 如果对安装、操作、检查和/或维护说明有疑问，请联系 ALBIN PUMP 或距离您最近的经销商。
 - 切勿丢弃手册。确保所有人员都能随时取得手册。
- 安装、操作、检查和维护本产品时，务必遵守（当地、州/省、国家/地区、联邦等）所有适用的标准和法规。
- 在操作或维护本产品过程中，务必戴上防护眼镜。
- 在操作本产品过程中，务必戴上护耳装置。
- 在操作的过程中，务必穿戴身体防护装备。包括防尘面罩或呼吸设备、安全眼镜、耳塞、手套、防护裙、安全鞋、头盔以及其他设备。
- 请勿自行改装泵、安全装置或零部件。
- 使用 Albin Pump 推荐的零部件。

运输和存储

- 将泵存放在干燥的地方。储存期间切勿从盒子/包装中取出产品。
- 切勿掉落或损坏盒子/包装。小心轻放。

在易爆炸环境下使用蠕动泵 (ATEX)

《说明手册》中的“符合性声明”指出，某些泵型号符合针对易爆炸环境中所用设备的欧共体指令 2014/34/EC，通常称为 ATEX 指令。有关具体的 ATEX 符号，请参见产品参数标牌（铭牌）上或其附近的标签。没有此类标记的产品不适合在任何易爆炸环境中使用 (ATEX)。有关更多型号说明，请参阅《使用手册》。

在易爆炸环境中使用的泵的特殊条件 (ATEX)

警告！

- 不遵守这些“特殊条件”中的任何规定都可能导致引燃易爆炸环境。
- 在易爆炸环境中，只能使用符合欧盟“ATEX 指令”的泵型号。
- 泵表面温度达到限制温度时，粉尘或颗粒可能会引燃。确保正确执行维护计划以去除泵上堆积的灰尘。
- 静电火花可能引发爆炸，导致重伤或死亡。请将泵和泵送系统接地。请查阅当地、区域和国家建筑和电气规范。静电火花可能会引燃易燃材料和蒸气。
- 如果使用地点周围的空气会导致自燃，则泵以及抽吸/排放连接部件必须接地。
- 使用泵架或泵箱上提供的连接带爪，连接到良好的接地地点。
- 接地之后，要定期检验接地线路是否始终接地。用欧姆表测试每一个部件（例如软管、泵体、线钳、容器等）是否接地，以确保始终接地。
- 使易燃液体/流体远离热源、明火和火花。
- 如果发现温度升高或振动加剧，应关闭泵并停止使用，直到其经过检查和/或修理为止。
- 请勿在易爆炸环境中进行维护或修理。
- 泄漏的液体可能导致潜在的爆炸危险。
- 软管磨损可能导致液体泄漏，并产生爆炸性气体。



蠕动泵 产品安全信息

泵投入使用时

警告！

- 确保由有资质的电工完成电气安装。
- 应锁定/标示主电源，以防止在安装/维护过程中给泵通电。
- 工厂/电气承包商必须确定馈线电缆的尺寸，以确保电路平衡，不会由于其他电气设备而发生过载。
- 只能将泵连接到与电气特征相吻合、而且在其额定容量范围之内的电气系统。请勿连接到电压和/或频率不正确的电源。
- 应在进线上安装一个主线断路器。泵没有配备电气断路器装置。工厂应负责设计和安装断路、过压、短路和超载保护装置。
- 在对泵进行任何操作/维护之前，必须确保已将泵停止而且已断开电源。
- 应当为电机的启动系统配备变频器、停机按钮和紧急停机按钮（同时控制泵），全面保证确保操作泵时的安全性。
- 将泵电源插头插入墙壁插座或连接到电源之前，始终确认泵铭牌上给出的电压与安装电压匹配。如果对此不确定，请由持有执照的电工检查和安装泵。
- 为减少触电危险，在维护、修理或移动泵之前，始终断开泵的电源。
- 为所有电气部件进行适当的接地，确保足够间隙并安装避雷器。
- 完成初次安装后，应验证接地连接并进行定期检查，以确保良好的接触和导电性。

搬运

小心！

搬运泵时请遵循以下说明：

- 使用吊装孔/环吊起整个泵体，同时使用适当的额定扎带或吊索为齿轮箱和电机提供额外的支撑。
- 务必使用负载能力合适的起重设备。切勿超过起重设备的负载上限
- 由于重心的原因，泵体容易朝泵壳方向倾斜。确保操作人员与泵保持安全距离，避免在起吊泵体的过程中造成任何造成人身伤害的危险。
- 切勿使用泵的吸气/排气接口起吊泵。

安装

- 安装之前确认正确的泵型号/配置。
- 在通风良好而且远离热源的位置安装泵。保证电机通风器罩的后面有足够空间，以免遮挡进气口。
- 泵的位置应便于进行所有维护操作。
- 装配时用水测试泵。安装之前使用相容液体冲洗泵。
- 保护泵体以避免外部损坏，请勿将泵体作为管道系统的支撑结构。务必确保系统部件正确固定好，以防止对泵体部件产生应力。

使用泵时

警告！

- 最高表面温度取决于电机和泵的操作条件以及软管摩擦情况。请勿超过最高温度限值。有关最高温度限值，请参见说明手册。
- 高压可能导致人身伤害、死亡、泵体损坏或财产损失。
- 务必确保连接软管和其他管道部件能够承受泵所产生的液体压力。
- 不要超过系统中任何部件的最大材料压力。
- 请勿在泵运行时维修或清理泵体和软管。
- 在更换软管的过程中，软管探出泵壳的速度非常快，可能会造成人身伤害。更换软管时，泵的吸气/排气侧前面不应有人。
- 安装不当、输送应力所造成的泵损坏以及外部损坏会导致液体泄漏。泵体内润滑油油位低会导致表面温度超过建议的泵体温度限值。有关润滑油的要求，请参见说明手册。
- 确保所有泵操作人员都已经过培训，知晓安全操作规范，了解设备限制，并按照规定佩戴相应的护目镜、护耳装置和其他身体防护设备。



蠕动泵 产品安全信息

小心!

- 必须先安装前盖, 然后才能启动泵。
- 抽吸和排放管道必须是柔性类型, 并且与泵送的物质兼容。
- 防止对泵体产生不必要的损坏。当长时间不泵送材料时, 请让泵停止运转。
- 系统长期不用时, 断开泵的电源线。
- 验证软管和插入材料与所泵送物质的化学相容性。化学相容性会随所泵送物质包含的化学品的温度和浓度变化而变化。对于特定液体相容性, 请咨询化学品生产商。

操作

警告!

- 操作泵之前, 确保所有防护部件(盖、油窥镜、通风器罩、联接装置防护)已安装到位。
- 必须彻底检查所有电气连接和机械连接, 然后才能开始操作泵。
- Albin Pump 不保证软管寿命, 也不保证可防止产品损坏/液体损耗。由设备所有人负责安装液体损耗检测器。
- 软管磨损可能导致泵壳中充满泵送的产品或产品泄漏到泵体外。建议安装泄漏检测器和自动关闭阀以避免上述问题。
- 泵体是一个容积体, 即使排放管道仅部分堵塞也可能产生高压。确保采取相应防护措施, 以避免排放管道中存在任何堵塞。相关建议, 请参见说明手册。
- 材料压力过大: 当材料管线中的流体暴露在高温下时会发生热膨胀, 并可能导致系统破裂。在泵系统中安装减压阀。
- 危险材料: 可能导致严重伤害或财产损失。不要将带有危险材料的泵返还给工厂或维修中心。安全操作规范必须符合本地和全国的法律以及安全规程的要求。

注意: 有关泵和具体型号的安全信息, 请参见说明手册。

安全符号识别



热表面



请勿刮擦出静电火花, 有爆炸危险



挤压危险



Atex 设备



阅读产品随附的手册

安全信号文字说明

危险! 指示即将发生的危险情况, 如不可避免, 会导致严重人身伤害或死亡。

警告! 指示潜在的危險情况, 如不可避免, 将导致严重人身伤害或死亡。

小心! 指示潜在的危險情况, 如不可避免, 将导致轻微或中度人身伤害或财产损失。

注意! 指示与人身安全或财产安全有直接或间接关联的信息及公司政策。

产品零件信息

小心!

只允许经过 ALBIN PUMP 培训的技术人员维护这些产品。如需更多信息, 请联系 ALBIN PUMP 或距离您最近的授权经销商。如果使用非 ALBIN PUMP 正品更换零件, 可能会导致安全危险、性能降低、维护工作增加, 而且可能导致所有保修失效。原版手册为英文版。其他语言版本均是原版手册的翻译版本。可从 www.albinpump.com 下载手册任何事宜, 请垂询距离您最近的 ALBIN PUMP 办事处或经销商。



蠕動ポンプ

製品安全情報

製品説明

蠕動ポンプとは、ホースを機械的に連続して圧縮してポンプ作用を得るホースをもつ、電動モーター駆動の回転式容積型ポンプです。これらのポンプは強力な化学物質を送液することができますが、運転前に適合性を確認して適切なホース材質を選択する必要があります。Albinの説明書に定義されている目的以外での使用は、機器の損傷を招いたり、重傷や死亡に至る可能性があります。この取扱説明書に記載されていない情報については、最寄りのAlbin販売代理店にお問い合わせください。

製品の安全性に関する一般情報

警告!

- 必ず本製品付属の取扱説明書をお読みください。
 - 製品に付属されているすべての文書をお読みください。
 - 設置、操作、点検、保守について不明な点がある場合は、Albin Pump または最寄りの販売代理店にお問い合わせください。
 - 取扱説明書は破棄しないでください。取扱説明書は、すべての作業者が利用できるように保管してください。
- 本製品の設置、操作、検査、保守は、必ず適用されるすべての規格および規制(地域、州、国、連邦など)に従って行ってください。
- ポンプの操作を行う際には、必ず保護メガネを着用してください。
- このポンプを操作するときは、必ず聴覚保護具を着用してください。
- 操作するポンプに適した保護具を必ず使用してください。これには、防塵マスクや呼吸装置、保護メガネ、耳栓、手袋、エプロン、安全靴、ヘルメットなどが含まれます。
- ポンプ、安全装置、またはアクセサリを改造しないでください。
- Albin Pump が推奨するアクセサリを使用してください。

運搬と保管

- ポンプは乾燥した場所で保管してください。保管中に製品を箱/梱包から取り出さないでください。
- 箱や梱包を落としたり、損傷を与えたりしないでください。注意して取り扱ってください。

爆発性雰囲気 (ATEX) で使用する蠕動ポンプ

取扱説明書の適合宣言書には、ポンプの一部のモデルが、爆発の危険性のある大気中での使用を意図した機器に関する欧州共同体指令 2014/34/EC (通称:ATEX 指令) に適合していることが記載されています。具体的な ATEX 指定については、データ (名前) プレートの上にある製品ラベルを参照してください。当該マークのない製品は、爆発性雰囲気 (ATEX) での使用には適していません。モデルの詳細については、取扱説明書を参照してください。

爆発性雰囲気 (ATEX) で使用するポンプの特別条件

警告!

- これらの「特別条件」のいずれかに準拠しない場合、爆発性雰囲気が発火する可能性があります。
- 爆発性雰囲気では、EU の「ATEX 指令」に準拠したポンプモデルのみを使用してください。
- ほこりや粒子は、ポンプの表面温度限界で発火することがあります。ポンプにほこりが付着するのを防ぐために、適切な保守計画を立てて実施してください。
- 静電気スパークは爆発の原因となり、重傷または死亡に至る可能性があります。ポンプ接地およびポンプシステム 地域と国の建築および電気技術基準を参照してください。静電気スパークは、可燃性物質や蒸気で発火することがあります。
- 周囲雰囲気が自然発火しやすい場所で使用する場合は、ポンプと吸込/吐出接続部を接地する必要があります。
- ポンプフレームまたはハウジングにある接着ストリップラグを使用して、適切なアース接続を行ってください。
- 接地後は、定期的にアースへの電気経路の導通を確認してください。各コンポーネント (ホース、ポンプ、クランプ、コンテナなど) から地面まで、抵抗計を使用してテストし、導通を確認します。
- 可燃性の液体は熱、裸火、火花から遠ざけてください。
- 温度の上昇や振動レベルの上昇が検出された場合はポンプを停止し、検査または修理を行うまで、ポンプの使用を中止してください。
- 爆発性雰囲気では保守作業や修理を行わないでください。
- 液体が漏れると、爆発の危険があります。
- ホースの破裂は液体漏れを引き起こし、爆発性雰囲気を作り出す可能性があります。



蠕動ポンプ

製品安全情報

ポンプを稼動するとき

警告!

- 電気設備の設置は、必ず資格を有する電気技師が実施してください。
- 設置または保守作業中にポンプに給電されないように、主電源をロックアウトまたはタグアウトしてください。
- 所有者/電気工事業者は、フィーダーケーブルのサイズを調整し、回路のバランスが取れ、他の電気機器によって過負荷になっていないことを確認する必要があります。
- ポンプは、電気的特性に適合した、定格容量内にある電気システムにのみ接続してください。不適切な電圧や周波数の電源に接続しないでください。
- 入力回線には主回線切断スイッチを設置してください。ポンプには電氣的遮断装置が装備されていません。所有者は、遮断、過電圧、短絡、過負荷からの保護対策を講じ、取り付けの責任を負います。
- ポンプの操作/保守を実施する場合は、ポンプの運転が停止し、電気の供給が遮断されていることを確認する必要があります。
- モーターの始動システムには、完全に安全な状態でポンプを操作できるように、(ポンプと一体型の)方向インバータ、停止ボタン、非常停止ボタンを装備する必要があります。
- ポンプをコンセントに差し込んだり、電源に接続したりする前に、ポンプのデータプレートに記載されている電圧が、設置電圧と一致していることを必ず確認してください。不明な点がある場合は、資格を有する電気技師にポンプの検査および設置を依頼してください。
- 感電の危険を低減するため、保守や修理、移動を行う前に、必ずポンプの電源を切ってください。
- すべての電気コンポーネントには、適した接地を行い、クリアランス、避雷器を備えてください。
- 初期設置後と、その後も定期的に接地状態を確認し、良好な状態で導通が維持されていることをチェックしてください。

取り扱い

注意!

- ポンプを持ち上げるときは、次の指示に従ってください。
- 適切な条件を満たすストラップまたはスリングを使用して、吊り上げ穴/リングと、ギアボックスとモーターのサポート部分を使用して、ポンプ全体を持ち上げます。
 - 必ず可搬重量に適した定格の吊り上げ装置を使用してください。吊り上げ装置の上限を超えて使用してはなりません。
 - ポンプ全体の重心のため、ポンプはケーシング側に傾きやすくなっています。ポンプを持ち上げている間、負荷する危険性をなくするため、作業員はポンプから安全な距離を取ってください。
 - ポンプの吸入/吐出接続部を持って持ち上げてください。

設置

- 設置前に、ポンプの型式と構成が正しいことを確認してください。
- ポンプは、熱源から離れた換気の良い場所に設置してください。吸気を妨げないように、モーターの換気フードの後ろには十分なスペースを確保してください。
- 保守作業時には必要箇所すべてに簡単にアクセスできるよう、ポンプを配置してください。
- ポンプは組み立て時に水でテストを行います。設置前に、適合する液体でポンプを洗浄してください。
- ポンプを外部の損傷から保護し、ポンプを配管システムの構造支持に使用しないでください。ポンプ部品に圧力がかからないように、システムコンポーネントが適切に支えられていることを確認してください。

ポンプ使用時

警告!

- 最大表面温度は、モーター、ポンプ、ホースの摩擦の動作条件によって異なります。最高温度上限を超えないでください。最高温度上限については、取扱説明書を参照してください。
- 高圧システムは、人身傷害、死亡、ポンプの損傷、物的損害を引き起こす可能性があります。
- 接続ホースやその他の配管コンポーネントが、本ポンプが送出する液体に耐えられることを確認してください。
- システムのコンポーネントの最大材料圧を超過しないでください。
- ポンプの運転中は、ポンプやホースの保守作業や清掃を行わないでください。
- ホースの交換時に、ホースがポンプケーシングから突然抜けて、危害を及ぼす可能性があります。ホース交換時は、ポンプの吸込/吐出側に人が近づかないようにしてください。
- 不適切な取り付け、配管圧、外部の損傷によるポンプの損傷は、液体漏れの原因となります。ポンプ内の潤滑剤残量が不十分な場合、ポンプの表面温度が推奨温度限界を超過する恐れがあります。潤滑剤の要件については、取扱説明書を参照してください。
- ポンプの作業員すべてが安全な作業方法について訓練を受け、ポンプの限界を理解し、必要に応じて適切な目、耳、その他の保護具を着用するよう、徹底してください。



蠕動ポンプ

製品安全情報

注意!

- ・フロントカバーが正しく固定されていない状態でポンプを始動しないでください。
- ・吸入配管および排出配管は、フレキシブルなタイプで、送出される物質に適合している必要があります。
- ・ポンプに不要な損傷を与えないようにしてください。液状媒体が入っていない状態で、長期間ポンプを作動させないでください。
- ・システムが長時間アイドル状態になっている場合は、ポンプから電源ケーブルを取り外してください。
- ・ホースとインサート材と、送出される物質との化学的適合性を確認してください。化学的適合性は、送液される物質内の化学薬品の温度と濃度によって変化する可能性があります。特定の液体の適合性については、化学薬品製造元にお問い合わせください。

操作

警告!

- ・ポンプを操作する前に、すべての保護（カバー、点検窓、換気フード、カップリング保護）が所定の位置にあることを確認してください。
- ・すべての電氣的接続および機械的接続を完全に確認してから、ポンプの操作を開始してください。
- ・ホースの寿命や製品/液体の損失防止については、Albin Pump が保証するものではありません。液体損失検出器を設置することは、所有者の責任です。
- ・ホースが破裂すると、ポンプケーシングは吸い上げられた製品で満たされ、ポンプから製品が漏れ出る可能性があります。このような事態を防ぐために、漏れ検出器と自動遮断弁の使用が推奨されます。
- ・ポンプは容積式であり、吐出ラインに部分閉塞が生じた場合でも高圧を発生させることができます。必ず吐出ラインの閉塞を防止する保護対策を施してください。推奨事項については、取扱説明書を参照してください。
- ・過度の材料圧：材料ラインの液体が高圧にさらされると熱膨張が発生し、システムが破裂する可能性があります。ポンプシステムに圧力開放弁を取り付けてください。
- ・危険物：重傷または物的損害を引き起こす可能性があります。危険物を含むポンプを工場やサービスセンターに返品しないでください。安全な取り扱い方法は、地域および国の法律および安全規定の要件に準拠する必要があります。

備考：ポンプおよびモデル固有の安全情報については、取扱説明書を参照してください。

安全記号の識別



高温表面



擦らないでください
静電気スパーク爆発
の危険



圧碎の危険



ATEX 対応機器



製品に付属する取扱
説明書をお読みくだ
さい

安全性記号の説明

危険! 回避しなかった場合、死亡や重傷に至る可能性のある、危険が差し迫った状況を示します。

警告! 回避しなかった場合、死亡や重傷に至る可能性のある、潜在的に危険な状況を示します。

注意! 回避しなかった場合、軽度または中程度の傷害や物的損傷を招く可能性のある、潜在的に危険な状況を示します。

備考! 作業員の安全や資産の保護に直接的または間接的に関連する情報や会社のポリシーを示します。

製品部品情報

注意!

Albin Pump のトレーニングを受けた技術者のみが製品の保守を行うことができます。詳細については、Albin Pump または最寄りの正規販売代理店にお問い合わせください。Albin Pump 純正交換部品以外のものを使用すると、安全性の問題やポンプの性能低下、保守頻度の増加を招く場合があります。また、すべての保証が無効になります。

この取扱説明書の原文は英語です。他の言語は、取扱説明書原本の翻訳版です。取扱説明書は www.albinpump.com からダウンロードできます。

すべてのお問い合わせは、最寄りの Albin Pump のオフィスまたは販売代理店にご連絡ください。



페리스탈틱 펌프

제품 안전 정보

제품 설명

페리스탈틱 호스 펌프는 전기 모터로 구동되는 회전식 정변위 펌프로, 호스를 기계적으로 연속 압축함으로써 펌프 동작을 구현합니다. 이 펌프는 강한 화학 물질을 펌핑할 수 있지만, 작동 전에 올바른 호스 재질을 선택하기 위해 호환 여부 확인이 필요합니다. ALBIN 문서에 정해진 용도 및 다른 용도로 사용할 경우 장비 손상 및/또는 심각한 부상 또는 사망 사고를 초래할 수 있습니다. 이 설명서에서 찾을 수 없는 정보는 지역 ALBIN 대리점에 문의하십시오.

일반 제품 안전 정보

경고!

- 이 제품과 함께 제공된 설명서를 읽기 전에 작동하지 마십시오.
 - 제품과 함께 제공된 모든 문서를 읽으십시오.
 - 설치, 작동, 검사 및 정비 지침에 관하여 불확실한 점은 ALBIN PUMP 또는 가까운 대리점에 문의하십시오.
 - 설명서를 버리지 마십시오. 설명서는 모든 사람이 쉽게 찾아볼 수 있도록 보관하십시오.
- 제품을 설치, 작동, 점검 및 정비할 때는 반드시 해당되는 모든 표준 및 규정(지역, 주, 국가, 연방법 등)을 준수해야 합니다.
- 이 펌프를 작동하거나 정비할 때는 반드시 보안경을 착용하십시오.
- 이 펌프를 작동할 때는 반드시 청력 보호 장비를 착용하십시오.
- 반드시 펌프 작동에 적합한 개인 보호 장비를 착용하십시오. 해당 장비에는 방진 마스크 또는 기타 호흡 장치, 보안경, 귀마개, 장갑, 에이프런, 안전화, 안전모 등의 안전 장비가 포함됩니다.
- 펌프, 안전 장비 또는 부속품을 개조하지 마십시오.
- Albin Pump에서 권장하는 부속품을 사용하십시오.

운송 및 보관

- 건조한 장소에 보관하십시오. 보관 중에는 박스/포장에서 제품을 꺼내지 마십시오.
- 박스/포장을 떨어뜨리거나 훼손하지 마십시오. 조심해서 취급하십시오.

폭발 가능성이 있는 환경 (ATEX) 에서 연동식 펌프 사용

이 사용 설명서에 포함된 적합성 선언서(Declaration of Conformity)에는 일부 펌프 모델이 폭발 가능성이 있는 환경에서 사용하도록 고안된 장비에 대한 European Community Directive 2014/34/EC(일반적으로 ATEX Directive라고 함)을 준수하고 있음이 명시되어 있습니다. 특정 ATEX 지시 사항은 제품의 명관(데이터 플레이트) 위 또는 근처에 부착된 제품 라벨을 참조하십시오. 표시가 없는 제품은 폭발 가능성이 있는 환경 (ATEX) 에서 사용하기에 적합하지 않습니다. 상세한 모델 설명은 사용 설명서를 참조하십시오.

폭발 가능성이 있는 환경 (ATEX) 에서 펌프를 사용하기 위한 특별 조건

경고!

- 이 "특별 조건"을 따르지 않으면 폭발 가능성이 있는 공기가 발생할 수 있습니다.
- 폭발 가능성이 있는 공기에서는 EU "ATEX Directive"에 부합하는 펌프 모델만 사용해야 합니다.
- 먼지나 미립자는 펌프 표면 온도 한계에서 점화를 일으킬 수 있습니다. 펌프에 먼지가 쌓이지 않도록 적절한 유지 보수 일정을 확인하십시오.
- 정전기 스파크는 심각한 상해나 사망의 원인이 되는 폭발을 일으킬 수 있습니다. 펌프와 펌핑 시스템을 접지하십시오. 지역 및 국가 건축과 전기규범을 참고하십시오. 정전기 스파크는 인화성 재료와 증기를 발화시킬 수 있습니다.
- 주변 공기가 자연 발화를 유도하는 환경에서 사용할 경우 펌프와 흡입/배출 연결부를 접지해야 합니다.
- 제공된 고정용 스트립 러그를 사용하여 펌프 프레임이나 하우징을 적절한 위치에 접지하십시오.
- 접지 후 지면에 대한 전기로의 연속 상태를 주기적으로 확인하십시오. 각 구성품(호스, 펌프, 클램프, 컨테이너 등)과 접지 사이를 전기저항제로 테스트하여 연속 상태를 확인하십시오.
- 인화성 액체/유체에 열, 화염 및 스파크가 접촉하지 않도록 하십시오.
- 온도 상승 또는 진동 증가가 감지되면 검사를 해서 수리가 될 때까지 펌프의 사용을 중지해야 합니다.
- 폭발성 있는 공기가 있는 곳에서는 정비나 수리를 하지 마십시오.
- 유체가 유출되면 잠재적인 폭발 위험이 초래될 수 있습니다.
- 호스가 파열되면 유체 유출이 일어나 폭발 가능성이 있는 환경이 형성될 수 있습니다.



페리스탈틱 펌프

제품 안전 정보

펌프를 정비할 경우

경고!

- 유자격 전기기술자가 전기 설치 작업을 수행해야 합니다.
- 설치 또는 정비 도중 펌프에 전원이 인가되지 않도록 주 전력공급원을 잠그고 고리표를 부착하십시오.
- 소유자/전기 하청업체는 회로 규격에 부합하고 다른 전기 장비로 인한 과부하가 생기지 않도록 입력 케이블 크기를 조절해야 합니다.
- 전기 특성에 부합하고 정격 용량 범위에 해당하는 전기 시스템에만 펌프를 연결하십시오. 전압 및/또는 주파수가 부정확한 전원에 연결하지 마십시오.
- 전원 공급 선로에 공급 선로 차단 스위치를 설치하십시오. 이 펌프에는 전기 차단 스위치가 장착되지 않았습니다. 단로, 과전압, 단락 및 과부하 보호 장치의 설계와 설치에 대한 책임은 소유자에게 있습니다.
- 모든 펌프 작동 및 정비 시에는 펌프가 중지되었으며 전기 공급이 차단되었음을 확인해야 합니다.
- 펌프가 완전히 안전하게 작동할 수 있는 방식으로 모터의 시동 시스템에 방향 인버터, 중지-시작 버튼, 비상 중지 버튼(모두 펌프와 함께)을 장비해야 합니다.
- 펌프를 콘센트나 전원 공급장치에 연결할 때는 항상 펌프 명판의 전압이 시설의 전압과 일치하는지 확인해야 합니다. 불확실할 경우 인가된 전기기술자를 통해 펌프를 점검 및 설치하십시오.
- 정비, 수리 또는 이동하기 전에는 항상 감전 위험을 줄일 수 있도록 펌프에서 전원 연결을 해제하십시오.
- 모든 전기 부품에는 적절한 접지, 여유 간격, 피뢰기를 장비해야 합니다.
- 최초 설치 직후 및 이후에도 주기적으로 접지 연결을 점검하여 접점이 양호하고 연속 상태가 유지되고 있는지 확인하십시오.

취급

주의!

펌프를 들어 올릴 때는 다음 지침을 따르십시오:

- 손잡이 구멍/고리와 기어박스 및 모터에 있는 추가 지지대를 사용하여 적합한 규격의 끈이나 벨트로 전체 펌프를 들어 올려야 합니다.
- 항상 적정 중앙 정격의 리프트 장비를 사용하십시오. 리프트 장비의 상한을 넘지 마십시오.
- 펌프는 무게 중심으로 인해 펌프 케이스 쪽으로 기울어지는 경향이 있습니다. 펌프를 들어 올릴 때는 상해 위험을 방지할 수 있도록 사람들이 펌프에서 안전한 거리 만큼 떨어져 있도록 하십시오.
- 출입/배출 연결부를 사용하여 펌프를 들지 마십시오.

설치

- 설치에 앞서 펌프 모델/구성이 정확한지 확인하십시오.
- 열원에서 떨어진 통풍이 잘 되는 위치에 펌프를 설치하십시오. 공기 흐름을 방해하지 않도록 모터 환기 후드 뒤에 충분히 공간을 두십시오.
- 펌프는 모든 정비 작업을 쉽게 수행할 수 있는 위치에 설치해야 합니다.
- 펌프는 조립 시 물에서 테스트됩니다. 설치 전에 호환되는 유체로 펌프를 플러싱하십시오.
- 펌프를 외부 손상으로부터 보호하고, 펌프를 파이프 시스템의 구조적 지지물로 사용하지 마십시오. 시스템 부품을 적절히 지지하여 펌프 부품이 부하를 받지 않도록 하십시오.

펌프 사용 시

경고!

- 최대 표면 온도는 모터, 펌프의 작동 상태와 호스의 마찰 상태에 따라 달라집니다. 최대 온도 한도가 초과되지 않도록 하십시오.
- 최대 온도 한도는 사용 설명서를 참조하십시오.
- 고압 시스템은 부상, 사망, 펌프 손상 또는 재산 피해를 초래할 수 있습니다.
- 연결 호스 및 기타 파이프 부품이 이 펌프에서 발생하는 유체 압력을 견딜 수 있는지 확인하십시오.
- 시스템 내의 어떤 부품도 최대 소재 압력이 초과되지 않도록 하십시오.
- 펌프 작동 중에는 펌프와 호스를 정비하거나 청소하지 마십시오.
- 호스 교체 중에 호스가 펌프 케이스 밖으로 급속하게 배출되어 부상을 초래할 수 있습니다. 호스 교체 중에는 펌프 출입/배출 면 앞쪽에 사람이 없어야 합니다.
- 부적절한 장착, 파이프 압력 및 외부 손상으로 인해 펌프가 손상되면 유체가 누출될 수 있습니다. 펌프의 윤활유가 부족하면 표면 온도가 권장 펌프 온도 보다 높아질 수 있습니다. 윤활유 관련 요구사항은 사용 설명서를 참조하십시오.
- 모든 펌프 작동자가 안전 작업 실무에 대해 교육을 받고, 제한 사항을 이해하며, 필요에 따라 적합한 눈, 청력, 기타 개인 보호 장비를 착용하도록 하십시오.



페리스탈틱 펌프

제품 안전 정보

주의!

- 전면 커버가 제대로 고정되지 않은 상태에서 펌프를 시작하지 마십시오.
- 흡입 및 배출 파이프는 펌프 대상 성분에 적합한 제품이어야 합니다.
- 불필요한 펌프 손상을 방지하십시오. 장기간 유체 매체가 없는 상태에서 펌프가 작동하지 않도록 하십시오.
- 시스템을 장시간 동안 작동하지 않을 때는 전원을 분리하십시오.
- 호스 및 투입 재료와 펌프 대상 물질 간의 화학적 적합성을 확인하십시오. 화학적 적합성은 펌프 대상 물질 내 화학물의 온도와 농도에 따라 달라질 수 있습니다. 특정 유체 호환성에 대해서는 화학을 제조사에 문의하십시오.

작동

경고!

- 펌프 작동에 앞서 모든 보호 장치(커버, 보안경, 환기 후드, 커플링 보호 장치)가 갖추어져 있는지 확인하십시오.
- 모든 전기적, 기계적 연결을 철저히 확인한 후에만 펌프 작동을 시작하십시오.
- 호스 수명 또는 제품/유체 손실 방지는 Albin Pump에서 보장하지 않습니다. 유체 손실 감지 장치를 설치할 책임은 소유자에게 있습니다.
- 호스가 파열되면 펌프 케이스에 펌프 대상 물질이 차게 되고 펌프 밖으로 누출될 수 있습니다. 이런 상황을 방지할 수 있도록 누출 감지 장치 및 자동 차단 밸브를 사용할 것을 권장합니다.
- 이 펌프는 움직이는 펌프이므로 배출 라인이 일부만 차단되어도 고압이 형성될 수 있습니다. 배출 라인이 차단되지 않도록 보호 장치를 갖추십시오. 권장 사항은 사용 설명서를 참조하십시오.
- 과도한 재료 압력: 재료 라인의 유체가 고온에 노출되면 열 팽창이 발생하여 시스템 파열을 일으킬 수 있습니다. 펌프 시스템에 압력 릴리프 밸브를 설치하십시오.
- 위험 물질: 심각한 부상이나 재산 피해를 일으킬 수 있습니다. 위험 물질을 취급하는 공장이나 서비스 센터로 펌프를 반환하지 마십시오. 안전한 취급 이행은 지역 및 국가 법률과 안전 코드 요구 사항을 준수해야 합니다.

참고: 펌프 및 모델별 안전 정보는 사용 설명서를 참조하십시오.

안전 기호 식별



뜨거운 표면



문지르지 말 것. 점전 기 스파크 폭발 위험



분쇄 위험



ATEX 장비



제품과 함께 제공된 설명서 읽기

안전 신호 단어의 설명

위험! 막지 못하면 사망 또는 중상을 초래할 수 있는 긴급한 위험 상황을 나타냅니다.

경고! 사망 또는 중상을 초래할 수 있는 잠재적인 위험 상황을 나타냅니다.

주의! 막지 못하면 가벼운 부상 또는 재산 손실을 초래할 수 있는 잠재적인 위험 상황을 나타냅니다.

참고! 개인의 안전 또는 자산 보호에 직간접적으로 관련된 정보 또는 회사 방침을 나타냅니다.

제품 부품 정보

주의!

ALBIN PUMP 교육을 받은 기술자만이 제품 정비를 수행할 수 있습니다. 추가 정보는 ALBIN PUMP 또는 가까운 공인 대리점에 문의하십시오. 정품 ALBIN PUMP 교체 부품 이외의 제품을 사용하면 안전 사고, 펌프 성능 저하, 정비 횟수 증가를 야기할 수 있으며 모든 보증이 무효화될 수 있습니다.

본 설명서의 원본은 영문으로 작성되어 있습니다. 기타 언어는 원래 설명서의 번역본입니다. 설명서는 www.albinpump.com 에서 다운로드 할 수 있습니다.

모든 문의 사항은 가까운 ALBIN PUMP 사무소나 대리점을 통해 확인하십시오.

AUSTRALIAN DISTRIBUTOR



CALL 1300 789 466

When Pump Knowledge Matters

www.kelairpumps.com.au

Distributed by:

www.albinpump.com

albinpump@irco.com



About Ingersoll Rand Inc.

Albin Pump is a brand of Ingersoll Rand and part of the Precision and Science Technologies (PST) business segment. PST consists of a portfolio of complementary, mission critical brands such as Milton Roy®, ARO®, LMI®, Albin Pump, Thomas®, Welch®, Haskel®, Dosatron®, YZ®, Williams®, MP® and Oberdorfer®.

At PST, we deliver solutions for precision dosing and transfer of high value fluids in various markets such as medical, food and beverage, water and hydrogen. For more information, visit www.IRco.com.

We are committed to using environmentally conscious print practices

©2022 Ingersoll Rand
PN 97999-1956
REV: C