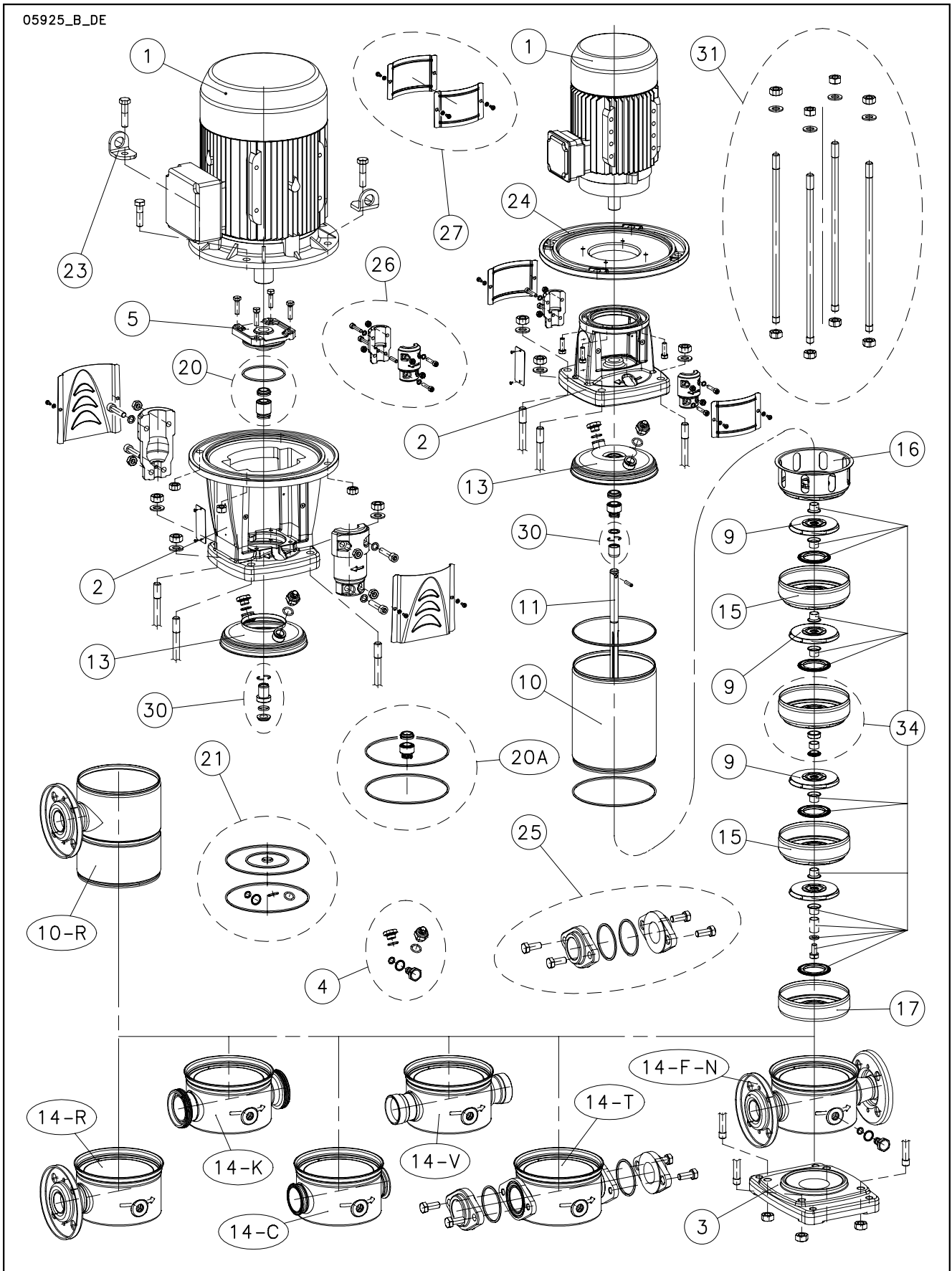


1, 3, 5, 10, 15, 22SV



Lowara and Vogel Pumpen are a trademark of Xylem Inc. or one of its subsidiaries. Goulds is a registered trademark of Goulds Pumps, Inc. and is used under license.

N.	Descrizione It	Description en	Description fr	Beschreibung de	Descripción es	Descrição pt
1	Motore	Motor	Moteur	Motor	Motor	Motor
2	Lanterna	Adaptor	Lanterne	Motorlanterne	Adaptador	Adaptador
3	Base	Basement	Base	Untersatz	Base	Base
4	Tappi	Plugs	Bouchons	Stopfen	Tapones	Tampões
5	Portatenuta superiore	Upper holder	Disque supérieure	Oberer dichtungsdeckel	Disco superior	Disco superior
9	Girante	Impeller	Roue	Laufrad	Rodete	Impulsor
10	Camicia	Sleeve	Chemise	Gehäuse	Camisa	Camisa
11	Albero	Shaft	Arbre	Welle	Árbol	Veio
13	Disco porta tenuta	Seal housing disc	Disque de garniture	Dichtungsdeckel	Disco de alojamiento sello	Disco porta-vedante
14	Corpo pompa	Pump body	Corps de pompe	Pumpengehäuse	Caja bomba	Corpo da bomba
15	Diffusore	Diffuser	Diffuseur	Diffusor	Difusor	Difusor
16	Diffusore finale	Last stage diffuser	Diffuseur dernier étage	Enddiffusor	Difusor final	Difusor final
17	Scatola stadio iniziale	Initial stage box	Box premier étage	Erste Stufe Diffusor	Caja etapa inicial	Carcaça primeira célula
20	Kit tenuta mecc. + OR	Mechanical seal + OR kit	Kit garniture mec. + joints toriques	Gleitringdichtung + O-Ring [Satz]	Kit sello mec. + junta tórica	Kit vedante mec. + OR
21	Kit guarnizioni OR	O ring kit	Kit joints toriques	Dichtungssatz	Kit juntas tóricas	Kit guarnições OR
23	Staffa sollevamento	Lifting bracket	Support de levage	Hebeösen	Soporte de elevación	Suporte de suspensão
24	Flangia motore	Motor flange	Bride moteur	Motorflansch	Brida motor	Flange motor
25	Kit controflangia ovale	O val counterflange kit	Kit contrebride ovale	Gegenflansch oval [Satz]	Kit contrafrida oval	Kit contraflange oval
26	Kit coppia di semigiunti	Pair of half coupling kit	Kit paire de demi-manchons	Kupplung [Satz]	Kit par de semijuntas	Kit par de semi-juntas
27	Kit protezione giunto	Coupling guard kit	Kit protection manchon	Kupplungsschutz [Satz]	Kit protección junta	Kit protecção junta
30	Kit bussola tenuta	Bush seal kit	Kit douille garniture	Gleitringdichtungsarretierung und mitnehmer	Kit casquillo sello	kit bucha vedante
31	Kit tiranti	Tie rods kit	Kit tirants	Zugstangen [Satz]	Kit tirantes	Kit tirantes
34	Kit parti di usura	Wear parts kit	Kit parties d'usure	Verschleißteile [Satz]	Kit piezas de desgaste	Kit peças desgastáveis
N.	Beschrijving nl	Περιγραφή el	Açıklama tr	Kuvaus fi	Описание ru	Opis pl
1	Motor	Πλήρης κινητήρας	Motor	Moottori	Двигатель	Silnik
2	Lantaarnstuk	Μπρακέτο	Adaptör	Sovitin	Крестовина	Piasta
3	Pompvoet	Βάση	Kaide	Perusta	Основание	Podstawa
4	Pluggen	Σετ ταπών	Tapalar	Tulpat	Пробки	Zatyczki
5	Bovenste plaat	Ανώτερος δίσκος	Üst disk	Ylempi levy	Верхний держатель дисков	Tarcza górna
9	Waaier	στροφέιο	Pompa rotoru	Juoksupyörä	рабочее колесо	Wirnik
10	Mantel	Κέλυφος	Gömlük	Muhvi	Муфта	Plaszcz
11	As	Άξονας	Mil	Akseli	Вал	Wał
13	Dichtingssteenplaat	Δίσκος μηχανικού στυποθλιπτή	Sızdırmazlık elemanı disk	Tiivsteen kannatuslevy	Пластина держателя прокладки	Tarcza uszczelki
14	Pomphuis	Σώμα αντλίας	Pompa gövdesi	Pumpun runko	Корпус насоса	Korpus pompy
15	Diffusor	Πτερύγιο εκτροπής	Difüzör	Diffusori	Диффузор	Dyfuzor
16	Diffusor laatste trap	Τελευταίο πτερύγιο εκτροπής	Son difüzör	Loppuvaiheen diffusori	Конечный диффузор	Dyfuzor końcowy
17	Kast eerste trap	Πρώτο πτερύγιο εκτροπής	İlk kademe kutusu	Ensivaiheen laatikko	Коробка начальной стадии	Skrzynka początkowego stadium
20	Set mech. asafdichting + O-ring	Μηχανικός στυποθλιπτής και ροδέλες στεγανοποίησης	Mekanik salmastra kiti + O-Ring	Mek. tiiviste + O-rengassarja	Комплект мех. прокладки + OR	Zestaw uszcz. mech. + OR
21	Set O-ringafdichtingen	Σετ ροδέλες στεγανοποίησης	O-Ring kiti	O-rengassarja	Комплект кольцевых прокладок OR	Zestaw uszczeliek OR
23	Hijz steun	Άρση αγκύλη	Dirsek Kaldırma	Nosto ylätuki	Подъемные кронштейн	Podnoszenia wspornik
24	Motorflens	Μπρακέτο κινητήρα	Motor flanş	Moottorin laippa	Фланец двигателя	Kolnierz silnika
25	Set ovale flenzen	Σετ Οβάλ φλάντζα	Oval flanç kiti	Soikeiden vastalajpojen sarja	Комплект Овальный фланец	Zestaw Kolnierz owalnych
26	Set koppelingshefften	Σετ σταθερού συνδέσμου	Çift yanım manşon kiti	Liitinsarja	Комплект пары полумуфт	Zestaw pary półzłączy
27	Set koppelingsbescherming	Καλύμματα προστασίας σταθερού συνδέσμου	Manşon koruma kiti	Liitoksen suojuussarja	Комплект защиты муфт	Zestaw ochrony złączy
30	Set afdichtingsbus	Σετ κουζινέτου μηχανικού στυποθλιπτή	Sızdırmazlık elemanı burcu kiti	Holkki ja tiiviste	Комплект втулки уплотнения	Zestaw busoli uszczel.
31	Set trekstangen	Σετ ράβδων σύνδεσης	Gergi çubuğu kiti	Vetotankosarja	Комплект тяг	Zestaw napinaczy
34	Set slijtonderdelen	Σετ δακτυλίων τριβής	Aşınma parçaları kiti	Kulumisiosien sarja	Комплект изнашиваемых частей	Zestaw części podl. zużyciu

1SV F 2 Pole

Production date > June 2011

ELP 2 P		1SV02F003	1SV03F003	1SV04F003	1SV05F003	1SV06F003	1SV07F003	1SV08F005	1SV09F005	1SV10F005	1SV11F005
F Version	M ~>	1016L1831	1016L1841	1016L1851	1016L1861	1016L1871	1016L1881	1016L1891	1016L1901	1016L1911	1016L1921
	T ~>	1016L0011	1016L0021	1016L0031	1016L0041	1016L0051	1016L0061	1016L0071	1016L0081	1016L0091	1016L0101
M ~>	M ~>	1016L1931	1016L1941	1016L1961	1016L1981	1016L2001	1016L2031	1016L2061	1016L2081	1016L2111	1016L2131
	T ~>	1016L0111	1016L0121	1016L0141	1016L0161	1016L0181	1016L0211	1016LA021	1016LA041	1016LA071	1016LA091
M ~>	M ~>	1016L2151	1016L2181								
	T ~>	1016LA111	1016LA141								

Single Unit and Kit

10	Sleeve F-T	166443040	166443040	166443060	166443070	166443080	166443100	166443120	166443140	166443150	166443160	
		166443180	166443200	166443230	166443260	166443300	166443340	166443390	166443420	166443470	166443500	
		166443540	166443580									
11	Shaft A304	165050040	165050040	165050060	165050070	165050080	165050100	165050120	165050140	165050150	165050160	
		165050180	165050200	165050230	165050260	165050300	165050340	165050390	165050420	165050480	165050520	
		165050550	165050600									
31	Tie rods SVF kit	KL22AK5	KL22AK5	KL22AK6	KL22AK7	KL22AK8	KL22AK9	KL22ABP	KL22ALB	KL22ALC	KL22ALD	
		KL22ALE	KL22ABT	KL22ALH	KL22ALL	KL22ALM	KL22ALP	KL22ALR	KL22ALS	KL22ALU	KL22ALW	
		KL22ALY	KL22ALZ									

Motor, Coupling, Motor adaptor

Motor power kW >	0,37	0,37	0,37	0,37	0,37	0,37	0,55	0,55	0,55	0,55
	0,75	0,75	0,75	1,1	1,1	1,1	1,5	1,5	1,5	2,2
	2,2	2,2								

**1	kW >	0,37	0,55	0,75	1,1	1,5	2,2
	Motor 2P, 1 ~>	107230020	107230040	107230100	107230120	107230180	50004HD00
	Motor 2P, 3 ~>	107230060	107230080	107230150	107230500	107240000	107240500
2	Adaptor	161470700	161470700	161470720	161470720	161470740	161470740
23	Lifting bracket	-	-	-	-	-	-
26	Coupling	KL10ABC	KL10ABC	KL10ABD	KL10ABD	KL10ABE	KL10ABE
27	Coupling guard	KL33AAM	KL33AAM	KL33AAN	KL33AAN	KL33AAP	KL33AAP

Wear Parts kit

up to model (->)	-> 1SV10	-> 1SV20	-> 1SV27	-> 1SV35	-> 1SV38	
*34	Wear parts	KL35AEE	KL35AEF	KL35AEG	KL35AEH	KL35AEK

Mechanical seal Kit : Mech seal D12 + sleeve OR

*20A	Materials ->	Q1BEGG	KL01AAD	Std -> Seal Q1BEGG - OR EPDM
		Q1Q1EGG	KL01AC7	
		Q1BVGG	KL01AAG	
		Q1Q1VGG	KL01AC9	
		Q1CTGG	KL01ADB	
		Q1Q1TGG	KL01ADD	

Common, Single Unit and kit

3	Base	161431310	-> 1-3-5SVF
4	Plugs	EPDM	KL34AAT
		FPM	KL34AAL
		FEP	KL34AAM
5	Upper holder	-	
*9	Impeller 1SV A304	150703600	
13	Seal housing disc	150102920	
14	Pump body	151302320	-> 1-3SVF
15	Diffuser	152803110	
16	Last stage diffuser	152803010	
17	First stage box	152802910	
*21	OR	EPDM	KL02AA1
		FPM	KL02AA2
		FEP	KL02AA3
24	Motor flange	-	
25	Kit oval flange OR EPDM	-	
	Kit oval flange OR FPM	-	
30	Impellers retainer	KL41AAX	

* Recommended spare parts - Parti di ricambio consigliate

* Pièces détachées conseillées - Empfohlene Ersatzteile

** Motor spare parts: see motor lists - Parti di ricambio motore: vedi liste motore

** Pièces détachées Moteur : voir listes moteur - Motor-Ersatzteile: gem. Motorlisten

1-22SVF_5_June11_EdC

1SV F 4 Pole

ELP 4 P, 3 ~		1SV02F0024	1SV05F0024	1SV08F0024	1SV11F0024	1SV15F0024	1SV19F0024	1SV22F0024	1SV27F0024	1SV30F0024	1SV34F0024
F Version	T ~ >	1016L2891	1016L2921	1016L2951	1016L2981	1016L3021	1016L3061	1016L3091	1016L3141	1016L3171	1016L3211
	T ~ >	1016L3241									

Single Unit and Kit

10	Sleeve F-T	166443040	166443070	166443120	166443160	166443230	166443300	166443340	166443420	166443470	166443540
		166443580									
11	Shaft A304	165050040	165050070	165050120	165050160	165050230	165050300	165050340	165050420	165050480	165050550
		165050600									
31	Tie rods SVF kit	KL22AK5	KL22AK7	KL22ABP	KL22ALD	KL22ALH	KL22ALM	KL22ALP	KL22ALS	KL22ALU	KL22ALY
		KL22ALZ									

Motor, Coupling, Motor Adaptor

Motor power kW>	0,25	0,25	0,25	0,25	0,25	0,25	0,25	0,25	0,25	0,25	0,25
	0,25										

**1	kW >	0,25 kW
	Motor 4P, 3 ~ >	107230640
2	Adaptor	161470700
23	Lifting bracket	-
26	Coupling	KL10ABC
27	Coupling guard	KL33AAM

Wear Parts kit

up to model (- >)	- > 1SV10	- > 1SV20	- > 1SV27	- > 1SV35	- > 1SV38	
	1 bearing	2 bearing	3 bearing	4 bearing	5 bearing	
*34	Wear parts	KL35AEE	KL35AEF	KL35AEG	KL35AEH	KL35AEK

Mechanical seal Kit : Mech seal D12 + sleeve OR

*20A	Materials ->	Q1BEGG	KL01AAD	Std -> Seal Q1BEGG - OR EPDM
		Q1Q1EGG	KL01AC7	
		Q1BVGG	KL01AAG	
		Q1Q1VGG	KL01AC9	
		Q1CTGG	KL01ADB	
		Q1Q1TGG	KL01ADD	

Common, Single Unit and kit

3	Base	161431310	-> 1-3-5SVF
4	Plugs	EPDM	KL34AAT
		FPM	KL34AAL
		FEP	KL34AAM
5	Upper holder	-	
*9	Impeller 1SV A304	150703600	
13	Seal housing disc	150102920	
14	Pump body	151302320	
15	Diffuser	152803110	
16	Last stage diffuser	152803010	
17	First stage box	152802910	
*21	OR	EPDM	KL02AA1
		FPM	KL02AA2
		FEP	KL02AA3
24	Motor flange	-	
30	Impellers retainer	KL41AAX	

Parts 1-3SV with less impellers

-> both SV el.pumps 2 - 4 Pole

	Spacer in place of impeller	162503832
	Diffuser box empty	162801612
	Last stage diffuser box empty	162801722

* Recommended spare parts - Parti di ricambio consigliate

* Pièces détachées conseillées - Empfohlene Ersatzteile

** Motor spare parts: see motor lists - Parti di ricambio motore: vedi liste motore

** Pièces détachées Moteur : voir listes moteur - Motor-Ersatzteile: gem. Motorlisten

3SV F 2 Pole

Production date > June 2011

ELP 2 P		3SV02F003	3SV03F003	3SV04F003	3SV05F005	3SV06F005	3SV07F007	3SV08F007	3SV09F011	3SV10F011	3SV11F011
F Version	M ~>	1016L2231	1016L2241	1016L2251	1016L2261	1016L2271	1016L2281	1016L2291	1016L2301	1016L2311	1016L2321
	T ~>	1016L0421	1016L0431	1016L0441	1016L0451	1016L0461	1016L0471	1016L0481	1016L0491	1016L0501	1016L0511
		3SV12F011	3SV13F015	3SV14F015	3SV16F015	3SV19F022	3SV21F022	3SV23F022	3SV25F022	3SV27F030	3SV29F030
	M ~>	1016L2331	1016L2341	1016L2351	1016L2371	1016L2401	1016L2421	1016L2441	1016L2461		
	T ~>	1016L0521	1016LA191	1016LA201	1016LA221	1016LA251	1016LA271	1016LA291	1016LA311	1016LA331	1016LA351
		3SV31F030	3SV33F030								
	M ~>										
	T ~>	1016LA371	1016LA391								

Single Unit and Kit

10	Sleeve F-T	166443040	166443040	166443060	166443070	166443080	166443100	166443120	166443140	166443150	166443160	
		166443180	166443200	166443220	166443240	166443300	166443320	166443360	166443390	166443420	166443460	
		166443480	166443520									
11	Shaft A304	165050040	165050040	165050060	165050070	165050080	165050100	165050120	165050140	165050150	165050160	
		165050180	165050200	165050220	165050240	165050300	165050320	165050360	165050390	165050420	165050470	
		165050500	165050540									
31	Tie rods SVF kit	KL22AK5	KL22AK5	KL22AK6	KL22AK7	KL22AK8	KL22AK9	KL22ABP	KL22ALB	KL22ALC	KL22ALD	
		KL22ALE	KL22ABT	KL22ALG	KL22ALK	KL22ALM	KL22ALN	KL22ALQ	KL22ALR	KL22ALS	KL22ALT	
		KL22ALV	KL22ALX									

Motor, Coupling, Motor adaptor

Motor power kW >	0,37	0,37	0,37	0,55	0,55	0,75	0,75	1,1	1,1	1,1
	1,1	1,5	1,5	1,5	2,2	2,2	2,2	2,2	3,0	3,0
	3,0	3,0								

**1	kW >	0,37	0,55	0,75	1,1	1,5	2,2	3,0
	Motor 2P, 1 ~>	107230020	107230040	107230100	107230120	107230180	50004HD00	
	Motor 2P, 3 ~>	107230060	107230080	107230150	107230500	107240000	107240500	107241000
2	Adaptor	161470700	161470700	161470720	161470720	161470740	161470740	161470760
23	Lifting bracket	-	-	-	-	-	-	-
26	Coupling	KL10ABC	KL10ABC	KL10ABD	KL10ABD	KL10ABE	KL10ABE	KL10ABF
27	Coupling guard	KL33AAM	KL33AAM	KL33AAN	KL33AAN	KL33AAP	KL33AAP	KL33AAQ

Wear Parts kit

up to model (->)	-> 3SV10	-> 3SV20	-> 3SV27	-> 3SV35	
*34	Wear parts	KL35AEE	KL35AEF	KL35AEG	KL35AEH

Mechanical seal Kit : Mech seal D12 + sleeve OR

*20A	Materials ->	Q1BEGG	KL01AAD	Std -> Seal Q1BEGG - OR EPDM
		Q1Q1EGG	KL01AC7	
		Q1BVGG	KL01AAG	
		Q1Q1VGG	KL01AC9	
		Q1CTGG	KL01ADB	
		Q1Q1TGG	KL01ADD	

Common, Single Unit and kit

3	Base	161431310	-> 1-3-5SVF-R
4	Plugs	EPDM	KL34AAT
		FPM	KL34AAL
		FEP	KL34AAM
5	Upper holder	-	
*9	Impeller 3SV A304	150703610	
13	Seal housing disc	150102920	
14	Pump body	151302320	
15	Diffuser	152803110	
16	Last stage diffuser	152803010	
17	First stage box	152802910	
*21	OR	EPDM	KL02AA1
		FPM	KL02AA2
		FEP	KL02AA3
24	Motor flange	-	
25	Kit oval flange OR EPDM	-	
	Kit oval flange OR FPM	-	
30	Impellers retainer	KL41AAX	

* Recommended spare parts - Parti di ricambio consigliate

* Pièces détachées conseillées - Empfohlene Ersatzteile

** Motor spare parts: see motor lists - Parti di ricambio motore: vedi liste motore

** Pièces détachées Moteur : voir listes moteur - Motor-Ersatzteile: gem. Motorlisten

1-22SVF_5_June11_EdC

3SV F 4 Pole

ELP 4 P, 3 ~									
F Version	3SV02F0024	3SV05F0024	3SV08F0024	3SV11F0024	3SV14F0024	3SV19F0024	3SV23F0024	3SV27F0034	3SV33F0034
T ~ >	1016L3301	1016L3331	1016L3361	1016L3391	1016L3421	1016L3471	1016L3511	1016L3551	1016L3611

Single Unit and Kit

10	Sleeve F-T	166443040	166443070	166443120	166443160	166443220	166443300	166443360	166443420	166443520
11	Shaft A304	165050040	165050070	165050120	165050160	165050220	165050300	165050360	165050420	165050540
31	Tie rods SVF kit	KL22AK5	KL22AK7	KL22ABP	KL22ALD	KL22ALG	KL22ALM	KL22ALQ	KL22ALS	KL22ALX

Motor, Coupling, Motor Adaptor

Motor power kW>	0,25	0,25	0,25	0,25	0,25	0,25	0,25	0,37	0,37
-----------------	------	------	------	------	------	------	------	------	------

**1	kW >	0,25 kW	0,37 kW
	Motor 4P, 3 ~ >	107230640	107230700
2	Adaptor	161470700	161470700
23	Lifting bracket	-	-
27	Coupling guard	KL33AAM	KL33AAM
26	Coupling	KL10ABC	KL10ABC

Wear Parts kit

up to model (- >)	- > 3SV10	- > 3SV20	- > 3SV27	- > 3SV35	
	1 bearing	2 bearing	3 bearing	4 bearing	
*34	Wear parts	KL35AEE	KL35AEF	KL35AEG	KL35AEH

Mechanical seal Kit : Mech seal D12 + sleeve OR

*20A	Materials ->	Q1BEGG	KL01AAD	Std -> Seal Q1BEGG - OR EPDM
		Q1Q1EGG	KL01AC7	
		Q1BVGG	KL01AAG	
		Q1Q1VGG	KL01AC9	
		Q1CTGG	KL01ADB	
		Q1Q1TGG	KL01ADD	

Common, Single Unit and kit

3	Base	161431310	-> 1-3-5SVF
4	Plugs	EPDM	KL34AAAT
		FPM	KL34AAL
		FEP	KL34AAM
5	Upper holder	-	
*9	Impeller SVF 3SV A304	150703610	
13	Seal housing disc	150102920	
14	Pump body	151302320	
15	Diffuser	152803110	
16	Last stage diffuser	152803010	
17	First stage box	152802910	
*21	OR	EPDM	KL02AA1
		FPM	KL02AA2
		FEP	KL02AA3
24	Motor flange	-	
30	Impellers retainer	KL41AAX	

Parts 1-3SV with less impellers

-> both SV el.pumps 2 - 4 Pole

	Spacer in place of impeller	162503832
	Diffuser box empty	162801612
	Last stage diffuser box empty	162801722

* Recommended spare parts - Parti di ricambio consigliate

* Pièces détachées conseillées - Empfohlene Ersatzteile

** Motor spare parts: see motor lists - Parti di ricambio motore: vedi liste motore

** Pièces détachées Moteur : voir listes moteur - Motor-Ersatzteile: gem. Motorlisten

SSV F 2 Pole

Production date > June 2011

ELP 2 P		5SV02F003	5SV03F005	5SV04F005	5SV05F007	5SV06F011	5SV07F011	5SV08F011	5SV09F015	5SV10F015	5SV11F015
F Version	M ~>	1016L2511	1016L2521	1016L2531	1016L2541	1016L2551	1016L2561	1016L2571	1016L2581	1016L2591	1016L2601
	T ~>	1016L0791	1016L0801	1016L0811	1016L0821	1016L0831	1016L0841	1016L0851	1016LA441	1016LA451	1016LA461
M ~>	M ~>	5SV12F022	5SV13F022	5SV14F022	5SV15F022	5SV16F022	5SV18F030	5SV21F030	5SV23F040	5SV25F040	5SV28F040
	T ~>	1016L2611	1016L2621	1016L2631	1016L2641	1016L2651					
T ~>	M ~>	1016LA471	1016LA481	1016LA491	1016LA501	1016LA511	1016LA531	1016LA561	1016L1001	1016L1021	1016L1051
	T ~>	5SV30F055	5SV33F055								
M ~>	M ~>										
	T ~>	1016L1071	1016L1101								

Single Unit and Kit

10	Sleeve F-T	166443030	166443050	166443070	166443090	166443110	166443130	166443150	166443170	166443190	166443210	
		166443230	166443250	166443270	166443290	166443310	166443350	166443410	166443450	166443490	166443550	
		166443590	166443650									
11	Shaft A304	165050030	165050050	165050070	165050090	165050110	165050130	165050150	165050170	165050190	165050210	
		165050230	165050250	165050270	165050290	165050310	165050350	165050410	165050450	165050490	165050550	
		165050590	165050650									
31	Tie rods SVF kit	KL22AL7	KL22AL8	KL22AK7	KL22AL9	KL22AMA	KL22AMB	KL22ALC	KL22AMC	KL22AMD	KL22AME	
		KL22ALH	KL22AMF	KL22AMG	KL22AMH	KL22AMK	KL22AML	KL22AMM	KL22AMN	KL22AMP	KL22AMQ	
		KL22AMR	KL22AMS									

Motor, Coupling, Motor adaptor

Motor power kW >	0,37	0,37	0,55	0,55	0,75	1,1	1,1	1,5	1,5	1,5
	2,2	2,2	2,2	2,2	2,2	3,0	3,0	4,0	4,0	4,0
	5,5	5,5								

**1	kw >	0,37	0,55	0,75	1,1	1,5	2,2	3,0	4,0	5,5
	Motor 2P, 1 ~>	107230020	107230040	107230100	107230120	107230180	50004HD00			
	Motor 2P, 3 ~>	107230060	107230080	107230150	107230500	107240000	107240500	107241000	50008VG00	50013VE00
2	Adaptor	161470700	161470700	161470720	161470720	161470740	161470740	161470760	161470760	161470760
23	Lifting bracket	-	-	-	-	-	-	-	-	161441050
26	Coupling	KL10ABC	KL10ABC	KL10ABD	KL10ABD	KL10ABE	KL10ABE	KL10ABF	KL10ABF	KL10ABY
27	Coupling guard	KL33AAM	KL33AAM	KL33AAN	KL33AAN	KL33AAP	KL33AAP	KL33AAQ	KL33AAQ	KL33AAQ

Wear Parts kit

up to model (->)	-> 5SV08	-> 5SV16	-> 5SV22	-> 5SV28	-> 5SV34	
	1 bearing	2 bearing	3 bearing	4 bearing	5 bearing	
*34	Wear parts	KL35AEL	KL35AEM	KL35AEN	KL35AEP	KL35AEQ

Mechanical seal Kit : Mech seal D12 + sleeve OR

*20A	Materials ->	Q1BEGG	KL01AAD	Std -> Seal Q1BEGG - OR EPDM
		Q1Q1EGG	KL01AC7	
		Q1BVGG	KL01AAG	
		Q1Q1VGG	KL01AC9	
		Q1CTGG	KL01ADB	
		Q1Q1TGG	KL01ADD	

Common, Single Unit and kit

3	Base	161431310	-> 1-3-5SVF-R
4	Plugs	EPDM	KL34AAT
		FPM	KL34AAL
		FEP	KL34AAM
5	Upper holder	-	
*9	Impeller 5SV A304	150703620	
13	Seal housing disc	150102920	
14	Pump body	151302400	-> 5SVF
15	Diffuser	152803120	
16	Last stage diffuser	152803020	
17	First stage box	152802920	
*21	OR	EPDM	KL02AA1
		FPM	KL02AA2
		FEP	KL02AA3
24	Motor flange	161050700	1-3-5SV 5,5 kW
25	Kit oval flange OR EPDM	-	
	Kit oval flange OR FPM	-	
30	Impellers retainer	KL41AAX	

* Recommended spare parts - Parti di ricambio consigliate

* Pièces détachées conseillées - Empfohlene Ersatzteile

** Motor spare parts: see motor lists - Parti di ricambio motore: vedi liste motore

** Pièces détachées Moteur : voir listes moteur - Motor-Ersatzteile: gem. Motorlisten

1-22SVF_5_June11_EdC

SSV F 4 Pole

Production date > June 2011

ELP 2 P	5SV03F0024	5SV06F0024	5SV09F0024	5SV12F0024	5SV15F0034	5SV18F0034	5SV21F0034	5SV25F0054	5SV28F0054	5SV33F0074
F Version	1016L3681	1016L3711	1016L3741	1016L3771	1016L3801	1016L3831	1016L3861	1016L3901	1016L3931	1016L3961
T ~ >										

Single Unit and Kit

10	Sleeve F-T	166443050	166443110	166443170	166443230	166443290	166443350	166443410	166443490	166443550	166443650
11	Shaft A304	165050050	165050110	165050170	165050230	165050290	165050350	165050410	165050490	165050550	165050650
31	Tie rods SVF kit	KL22AL8	KL22AMA	KL22AMC	KL22ALH	KL22AMH	KL22AML	KL22AMM	KL22AMP	KL22AMQ	KL22AMS

Motor, Coupling, Motor adaptor

Motor power	0,25	0,25	0,25	0,25	0,37	0,37	0,37	0,55	0,55	0,75
**1	kw >	0,25 kW	0,37 kW	0,55 kW	0,75 kW					
	Motor 4P, 3 ~ >	107230640	107230700	107230760	107241520					
2	Adaptor	161470700	161470700	161470700	161470720					
23	Lifting bracket	-	-	-	-					
27	Coupling guard	KL33AAM	KL33AAM	KL33AAM	KL33AAN					
26	Coupling	KL10ABC	KL10ABC	KL10ABC	KL10ABD					

Wear Parts kit

up to model (- >)	- > 5SV08	- > 5SV16	- > 5SV22	- > 5SV28	- > 5SV34	
	1 bearing	2 bearing	3 bearing	4 bearing	5 bearing	
*34	Wear parts incl. OR, EPDM	KL35AEL	KL35AEM	KL35AEN	KL35AEP	KL35AEQ

Mechanical seal Kit : Mech seal D12 + sleeve OR

*20A	Materials ->	Q1BEGG	KL01AAD	Std -> Seal Q1BEGG - OR EPDM
		Q1Q1EGG	KL01AC7	
		Q1BVGG	KL01AAG	
		Q1Q1VGG	KL01AC9	
		Q1CTGG	KL01ADB	
		Q1Q1TGG	KL01ADD	

Common, Single Unit and kit

3	Base	161431310	-> 1-3-5SVF
4	Plugs	EPDM	KL34AAT
		FPM	KL34AAL
		FEP	KL34AAM
5	Upper holder	-	
*9	Impeller 5SV A304	150703620	
13	Seal housing disc	150102920	
14	Pump body	151302400	
15	Diffuser	152803120	
16	Last stage diffuser	152803020	
17	First stage box	152802920	
*21	OR	EPDM	KL02AA1
		FPM	KL02AA2
		FEP	KL02AA3
24	Motor flange	-	
30	Impellers retainer	KL41AAX	

Parts 5SV with less impellers

-> both SV el.pumps 2 - 4 Pole

	Spacer in place of impeller	162503842
	Diffuser box empty	162801622
	Last stage diffuser box empty	162801722

* Recommended spare parts - Parti di ricambio consigliate

** Pièces détachées conseillées - Empfohlene Ersatzteile

** Motor spare parts: see motor lists - Parti di ricambio motore: vedi liste motore

** Pièces détachées Moteur : voir listes moteur - Motor-Ersatzteile: gem. Motorlisten

1-22SVF_5_June11_EdC

10SVF 2 Pole

ELP 2P		10SV01F007	10SV02F007	10SV03F011	10SV04F015	10SV05F022	10SV06F022	10SV07F030	10SV08F030	10SV09F040	10SV10F040
F Version	M->	1016L2691	1016L2701	1016L2711	1016L2721	1016L2731	1016L2741				
	T->	1016L1151	1016L1161	1016L1171	1016LA611	1016LA621	1016LA631	1016LA641	1016LA651	1016L1231	1016L1241
	M->	10SV11F040	10SV13F055	10SV15F055	10SV17F075	10SV18F075	10SV20F075	10SV21F110			
	T->	1016L1251	1016L1271	1016L1291	1016L1311	1016L1321	1016L1341	1016L1351			

Single Unit and Kit

10	Sleeve F-T	166444020	166444020	166444030	166444040	166444060	166444070	166444080	166444100	166444110	166444120
		166444140	166444160	166444190	166444220	166444230	166444260	166444270			
11	Shaft A304	165051020	165051020	165051030	165051040	165051060	165051070	165051080	165051100	165051110	165051120
		165051140	165051160B	165051190B	165051220B	165051230B	165051260B	165051270B			
31	Tie rods SVF Kit	KL22AM2	KL22AM2	KL22AB4	KL22AM4	KL22AM6	KL22AM7	KL22AM8	KL22ANA	KL22AB9	KL22ANC
		KL22ANE	KL22ANG	KL22ANL	KL22ANP	KL22ANQ	KL22ANT	KL22ANU			

Motor, Coupling, Motor Adaptor

Motor power kW >	0,75	0,75	1,1	1,5	2,2	2,2	3,0	3,0	4,0	4,0
	4,0	5,5	5,5	7,5	7,5	7,5	11,0			

**1	kW ->	0,75	1,1	1,5	2,2	3,0	4,0	5,5	7,5	11,0
	Motor 2 P, 1->	107230100	107230120	107230180	50004HD00					
	Motor 2 P, 3->	107230150	107230500	107240000	107240500	107241000	50008VG00	50013VE00	50017VB00	50019VE00
2	Adaptor	161470800	161470800	161470820	161470820	161470840	161470840	161470860	161470860	161470880
23	Lifting bracket	-	-	-	-	-	-	161441050	161441050	161441060
26	Coupling	KL10ABG	KL10ABG	KL10ABH	KL10ABH	KL10ABK	KL10ABK	KL10ABZ	KL10ABZ	KL10AB0
27	Coupling guard	KL33AAR	KL33AAR	KL33AAS	KL33AAS	KL33AAT	KL33AAT	KL33AAU	KL33AAU	KL33AAU

Wear Parts Kit

up to model (->)	->10SV09	->10SV16	->10SV21
*34 Wear parts	1 bearing	2 bearing	3 bearing
	KL35AER	KL35AES	KL35AET

Mechanical seal Kit : Mech seal D16 + OR

*20A	Materials->	Q1BEGG	KL01AAE	Std -> Seal Q1BEGG - sleeve OR EPDM / Unbalanced : 10-15-22SV < / = 4 kW
		Q1Q1EGG	KL01AC8	
		Q1BVGG	KL01AAH	
		Q1Q1VGG	KL01ADA	
		Q1CTGG	KL01ADC	
		Q1Q1TGG	KL01ADE	
*20	Materials->	Q1BEGG	KL01AD7	Std -> Seal Q1BEGG - upper holder OR EPDM / Balanced : 10-15-22SV = / > 5,5 kW
		Q1Q1EGG	KL01AD3	
		Q1BVGG	KL01AD2	
		Q1Q1VGG	KL01AD4	
		Q1CTGG	KL01AD9	
		Q1Q1TGG	KL01AEA	

Common, Single Unit and Kit

3	Base	161431330	-> 10SV
4	Plugs	EPDM	KL34AAT
		FPM	KL34AAL
		FEP	KL34AAM
5	Upper holder	-	Up to 4,0 kW included
		160103710	Over 5,5 kW
		160103730	Part with hole for tap
*9	Impeller10 SV A304	150703630	
13	Seal housing disc	150102940	Up to 4,0 kW included
		150102960	Over 5,5 kW
14	Pump body	151302450	
15	Diffuser	152803130	
16	Last stage diffuser	152803030	
17	First stage box	152802930	
*21	OR	EPDM	KL02AA4
		FPM	KL02AA5
		FEP	KL02AA6
24	Motor flange	-	
25	Kit oval flange OR EPDM	-	
	Kit oval flange OR FPM	-	
30	Impellers retainer	KL41AA7	Unbalanced : 10-15-22SV < / = 4 kW
30	Bush seal kit	KL41AA1	Balanced : 10-15-22SV = / > 5,5 kW

* Recommended spare parts - Parti di ricambio consigliate

** Pièces détachées conseillées - Emptiohiene Ersatzteile

** Motor spare parts: see motor lists - Parti di ricambio motore: vedi liste motore

** Pièces détachées Moteur : voir listes moteur - Motor-Ersatzteile: gem. Motorlisten

10SVF 4 Pole

ELP 4P, 3 ~									
Version F	10SV04F0054	10SV06F0054	10SV08F0054	10SV10F0054	10SV13F0074	10SV15F0074	10SV17F0114	10SV19F0114	10SV21F0114
T ~>	1016L4061	1016L4081	1016L4101	1016L4121	1016LB591	1016LB611	1016L4191	1016L4211	1016L4231

Single Unit and Kit

10	Sleeve F-T	166444040	166444070	166444100	166444120	166444160	166444190	166444220	166444240	166444270
11	Shaft A304	165051040	165051070	165051100	165051120	165051160	165051190	165051220	165051240	165051270
31	Tie rods SVF K	KL22AM4	KL22AM7	KL22ANA	KL22ANC	KL22ANG	KL22ANL	KL22ANP	KL22ANR	KL22ANU

Motor, Coupling, Motor Adaptor

Mot.power, kW >	0,55	0,55	0,55	0,55	0,75	0,75	1,1	1,1	1,1
**1	kW >	0,55	0,75	1,1					
	Motor 4P ->	107230760	107241520	50005RD00					
2	Adaptor	161470800	161470800	161470820					
23	Lifting bracket	-	-	-					
26	Coupling	KL10ABG	KL10ABG	KL10ABH					
27	Coupling guard	KL33AAR	KL33AAR	KL33AAS					

Wear Parts Kit

up to model (->)	->10SV09	->10SV16	->10SV21	
*34	Wear parts	KL35AER	KL35AES	KL35AET

Mechanical seal Kit : Mech seal D16 + OR

*20A	Materials->	Q1BEGG	KL01AAE	Std -> Seal Q1BEGG - sleeve OR EPDM / Unbalanced : 10-15-22SV < / = 4 kW
		Q1Q1EGG	KL01AC8	
		Q1BVGG	KL01AAH	
		Q1Q1VGG	KL01ADA	
		Q1CTGG	KL01ADC	
		Q1Q1TGG	KL01ADE	

Common, Single Unit and Kit

3	Base	161431330	-> 10SV
4	Plugs	EPDM	KL34AAT
		FPM	KL34AAL
		FEP	KL34AAM
5	Upper holder	-	
*9	Impeller10 SV A304	150703630	
13	Seal housing disc	150102940	
14	Pump body	151302450	
15	Diffuser	152803130	
16	Last stage diffuser	152803030	
17	First stage box	152802930	
*21	OR	EPDM	KL02AA4
		FPM	KL02AA5
		FEP	KL02AA6
All Versions, wear OR not included			
24	Motor flange	-	
30	Impellers retainer	KL41AAY	

Parts 10SV with less impellers

-> both SV el.pumps 2 - 4 Pole

	Spacer in place of impeller	162503852
	Diffuser box empty	162801632
	Last stage diffuser box empty	162801752

* Recommended spare parts - Parti di ricambio consigliate

* Pièces détachées conseillées - Empfohlene Ersatzteile

** Motor spare parts: see motor lists - Parti di ricambio motore: vedi liste motore

** Pièces détachées Moteur : voir listes moteur - Motor-Ersatzteile: gem. Motorlisten

1-22SVF_5_June11_EdC

15SVF 2 Pole

ELP 2P		15SV01F011	15SV02F022	15SV03F030	15SV04F040	15SV05F040	15SV06F055	15SV07F055	15SV08F075	15SV09F075	15SV10F110
F Version	M-->	1016L2781	1016L2791								
	T-->	1016L1401	1016LA701	1016LA711	1016L1431	1016L1441	1016L1451	1016L1461	1016L1471	1016L1481	1016L1491
		15SV11F110	15SV13F110	15SV15F150	15SV17F150						
	M-->										
	T-->	1016L1501	1016L1521	1016L1541	1016L1561						

Single Unit and Kit

10	Sleeve F - T	166444030	166444030	166444050	166444070	166444090	166444110	166444130	166444150	166444170	166444190
		166444210	166444250	166444290	166444330						
11	Shaft A304	165051030	165051030	165051050	165051070	165051090	165051100B	165051130B	165051150B	165051170B	165051190B
		165051210B	165051250B	165051290B	165051330B						
31	Tie rods SVF Kit	KL22AB4	KL22AB4	KL22AM5	KL22AM7	KL22AM9	KL22AB9	KL22AND	KL22ANF	KL22ANH	KL22ANL
		KL22ANN	KL22ANS	KL22ANW	KL22ANX						

Motor, Coupling, Motor Adaptor

Motor power	1,1	2,2	3,0	4,0	4,0	5,5	5,5	7,5	7,5	11,0
kW >	11,0	11,0	15,0	15,0						

**1	kW ->	1,1	2,2	3,0	4,0	5,5	7,5	11,0	15,0
	Motor 2 P, 1- >	107230120	50004HD00						
	Motor 2 P, 3 ->	107230500	107240500	107241000	50008VG00	50013VE00	50017VB00	50019VE00	50024VB00
2	Adaptor	161470800	161470820	161470840	161470840	161470860	161470860	161470880	161470880
23	Lifting bracket	-	-	-	-	161441050	161441050	161441060	161441060
26	Coupling	KL10ABG	KL10ABH	KL10ABK	KL10ABK	KL10ABZ	KL10ABZ	KL10AB0	KL10AB0
27	Coupling guard	KL33AAR	KL33AAS	KL33AAT	KL33AAT	KL33AAU	KL33AAU	KL33AAU	KL33AAU

Wear Parts Kit

up to model (- >)	->15SV06	->15SV11	->15SV17
	1 bearing	2 bearing	3 bearing
*34 Wear parts	KL35AEU	KL35AEV	KL35AEW

Mechanical seal Kit : Mech seal D16 + OR

*20A	Materials->	Q1BEGG	KL01AAE	Std -> Seal Q1BEGG - sleeve OR EPDM / Unbalanced : 10-15-22SV < / = 4 kW
		Q1Q1EGG	KL01AC8	
		Q1BVGG	KL01AAH	
		Q1Q1VGG	KL01ADA	
		Q1CTGG	KL01ADC	
		Q1Q1TGG	KL01ADE	
*20	Materials->	Q1BEGG	KL01AD7	Std -> Seal Q1BEGG - upper holder OR EPDM / Balanced : 10-15-22SV = / > 5,5 kW
		Q1Q1EGG	KL01AD3	
		Q1BVGG	KL01AD2	
		Q1Q1VGG	KL01AD4	
		Q1CTGG	KL01AD9	
		Q1Q1TGG	KL01AEA	

Common, Single Unit and Kit

3	Base	161431350	-> 15-22SV
4	Plugs	EPDM	KL34AAT
		FPM	KL34AAL
		FEP	KL34AAM
5	Upper holder	-	Up to 4,0 kW included
		160103710	Over 5,5 kW
		160103730	Part with hole for tap
*9	Impeller 15SV A304	150703640	
13	Seal housing disc	150102940	Up to 4,0 kW included
		150102960	Over 5,5 kW
14	Pump body	151302600	
15	Diffuser	152803150	
16	Last stage diffuser	152803050	
17	First stage box	152802950	
*21	OR	EPDM	KL02AA4
		FPM	KL02AA5
		FEP	KL02AA6
24	Motor flange	-	
25	Kit oval flange OR EPDM	-	
	Kit oval flange OR FPM	-	
30	Impellers retainer	KL41AAY	Unbalanced : 10-15-22SV < / = 4 kW
30	Bush seal kit	KL41AA1	Balanced : 10-15-22SV = / > 5,5 kW

* Recommended spare parts - Parti di ricambio consigliate

* Pièces détachées conseillées - Empfohlene Ersatzteile

** Motor spare parts: see motor lists - Parti di ricambio motore: vedi liste motore

** Pièces détachées Moteur : voir listes moteur - Motor-Ersatzteile: gem. Motorlisten

15SVF 4 Pole

ELP 4P, 3 ~								
F Version	15SV05F0054	15SV07F0074	15SV09F0114	15SV11F0114	15SV13F0154	15SV15F0154	15SV17F0224	
T ~>	1016L4321	1016LB631	1016L4361	1016L4381	1016L4401	1016L4421	1016L4441	

Single Unit and Kit

10	Sleeve F-T	166444030	166444030	166444050	166444070	166444090	166444110	166444130
11	Shaft A304	165051030	165051030	165051050	165051070	165051090	165051110B	165051130B
31	Tie rods SVF Kit	KL22AM9	KL22AND	KL22ANH	KL22ANN	KL22ANS	KL22ANW	KL22ANX

Motor, Coupling, Motor Adaptor

Mot.power, kW >	0,55	0,75	0,95	1,1	1,5	1,5	2,2
-----------------	------	------	------	-----	-----	-----	-----

**1	kw >	0,55	0,75	1,1	1,5	2,2
	Motor 4P ->	107230760	107241520	50005RD00	50006RD00	50010RD00
2	Adaptor	161470800	161470800	161470820	161470820	161470840
23	Lifting bracket	-	-	-	-	-
26	Coupling	KL10ABG	KL10ABG	KL10ABH	KL10ABH	KL10ABK
27	Coupling guard	KL33AAR	KL33AAR	KL33AAS	KL33AAS	KL33AAT

Wear Parts Kit

up to model (->)	->15SV06	->15SV11	->15SV17	
	1 bearing	2 bearing	3 bearing	
*34	Wear parts	KL35AEU	KL35AEV	KL35AEW

Mechanical seal Kit : Mech seal D16 + OR

*20A	Materials->	Q1BEGG	KL01AAE	Std -> Seal Q1BEGG - sleeve OR EPDM / Unbalanced : 10-15-22SV < / = 4 kW
		Q1Q1EGG	KL01AC8	
		Q1BVGG	KL01AAH	
		Q1Q1VGG	KL01ADA	
		Q1CTGG	KL01ADC	
		Q1Q1TGG	KL01ADE	

Common, Single Unit and Kit

3	Base	161431350	-> 15-22SV
4	Plugs	EPDM	KL34AAT
		FPM	KL34AAL
		FEP	KL34AAM
5	Upper holder	-	
*9	Impeller 15SV A304	150703640	
13	Seal housing disc	150102940	
14	Pump body	151302600	
15	Diffuser	152803150	
16	Last stage diffuser	152803050	
17	First stage box	152802950	
*21	OR	EPDM	KL02AA4
		FPM	KL02AA5
		FEP	KL02AA6
24	Motor flange	-	
30	Impellers retainer	KL41AAY	

Parts 15-22SV with less impellers

-> both SV el.pumps 2 - 4 Pole

	Spacer in place of impeller	162503872
	Diffuser box empty	162801652
	Last stage diffuser box empty	162801752

* Recommended spare parts - Parti di ricambio consigliate

* Pièces détachées conseillées - Empfohlene Ersatzteile

** Motor spare parts: see motor lists - Parti di ricambio motore: vedi liste motore

** Pièces détachées Moteur : voir listes moteur - Motor-Ersatzteile: gem. Motorlisten

22SVF 2 Pole

ELP 2P		22SV01F011	22SV02F022	22SV03F030	22SV04F040	22SV05F055	22SV06F075	22SV07F075	22SV08F110	22SV09F110	22SV10F110
F Version	M ~>	1016L2831	1016L2841								
	T ~>	1016L1611	1016LA761	1016LA771	1016L1641	1016L1651	1016L1661	1016L1671	1016L1681	1016L1691	1016L1701
		22SV12F150	22SV14F150	22SV17F185							
	M ~>										
	T ~>	1016L1721	1016L1741	1016L1771							

Single Unit and Kit

10	Sleeve F-T	166444030	166444030	166444050	166444070	166444090	166444110	166444130	166444150	166444170	166444190
		166444230	166444270	166444330							
11	Shaft A304	165051030	165051030	165051050	165051070	165051090B	165051110B	165051130B	165051150B	165051170B	165051190B
		165051230B	165051270B	165051330B							
31	Tie rods SVF Kit	KL22AB4	KL22AB4	KL22AM5	KL22AM7	KL22AM9	KL22AB9	KL22AND	KL22ANF	KL22ANH	KL22ANL
		KL22ANQ	KL22ANU	KL22ANX							

Motor, Coupling, Motor Adaptor

Motor power kW >	1,1	2,2	3,0	4,0	5,5	7,5	7,5	11,0	11,0	11,0
	15,0	15,0	18,5							

**1	kW ->	1,1	2,2	3,0	4,0	5,5	7,5	11,0	15,0	18,5
	Motor 2 P, 1- >	107230120	50004HD00							
	Motor 2 P, 3 ->	107230500	107240500	107241000	50008VG00	50013VE00	50017VB00	50019VE00	50024VB00	50025VB00
2	Adaptor	161470800	161470820	161470840	161470840	161470860	161470860	161470880	161470880	161470880
23	Lifting bracket	-	-	-	-	161441050	161441050	161441060	161441060	161441060
26	Coupling	KL10ABG	KL10ABH	KL10ABK	KL10ABK	KL10ABZ	KL10ABZ	KL10AB0	KL10AB0	KL10AB0
27	Coupling guard	KL33AAR	KL33AAS	KL33AAT	KL33AAU	KL33AAU	KL33AAU	KL33AAU	KL33AAU	KL33AAU

Wear Parts Kit

up to model (- >)	->22SV06	->22SV11	->22SV17
	1 bearing	2 bearing	3 bearing
*34 Wear parts	KL35AEU	KL35AEV	KL35AEW

Mechanical seal Kit : Mech seal D16 + OR

*20A	Materials->	Q1BEGG	KL01AAE	Std -> Seal Q1BEGG - sleeve OR EPDM / Unbalanced : 10-15-22SV < / = 4 kW
		Q1Q1EGG	KL01AC8	
		Q1BVGG	KL01AAH	
		Q1Q1VGG	KL01ADA	
		Q1CTGG	KL01ADC	
*20	Materials->	Q1BEGG	KL01AD7	Std -> Seal Q1BEGG - upper holder OR EPDM / Balanced : 10-15-22SV = / > 5,5 kW
		Q1Q1EGG	KL01AD3	
		Q1BVGG	KL01AD2	
		Q1Q1VGG	KL01AD4	
		Q1CTGG	KL01AD9	
		Q1Q1TGG	KL01AEA	

Common, Single Unit and Kit

3	Base	161431350	-> 15-22SV
4	Plugs	EPDM	KL34AAT
		FPM	KL34AAL
		FEP	KL34AAM
5	Upper holder	-	Up to 4,0 kW included
		160103710	Over 5,5 kW
		160103730	Part with hole for tap
*9	Impeller 22SV A304	150703650	
13	Seal housing disc	150102940	Up to 4,0 kW included
		150102960	Over 5,5 kW
14	Pump body	151302600	
15	Diffuser	152803150	
16	Last stage diffuser	152803050	
17	First stage box	152802950	
*21	OR	EPDM	KL02AA4
		FPM	KL02AA5
		FEP	KL02AA6
24	Motor flange	-	
25	Kit oval flange OR EPDM	-	
		-	
30	Impellers retainer	KL41AAZ	Unbalanced : 10-15-22SV < / = 4 kW
30	Bush seal kit	KL41AA1	Balanced : 10-15-22SV = / > 5,5 kW

* Recommended spare parts - Parti di ricambio consigliate

* Pièces détachées conseillées - Empfohlene Ersatzteile

** Motor spare parts: see motor lists - Parti di ricambio motore: vedi liste motore

** Pièces détachées Moteur : voir listes moteur - Motor-Ersatzteile: gem. Motorlisten

22SVF 4 Pole

ELP 4P, 3 ~							
F Version	22SV04F0054	22SV06F0114	22SV08F0114	22SV10F0154	22SV12F0224	22SV14F0224	22SV17F0304
T ~>	1016L4521	1016L4541	1016L4561	1016L4581	1016L4601	1016L4621	1016L4651

Single Unit and Kit

10	Sleeve F-T	166444070	166444110	166444150	166444190	166444230	166444270	166444330
11	Shaft A304	165051070	165051110	165051150	165051190	165051230	165051270	165051330
31	Tie rods SVF Kit	KL22AM7	KL22AB9	KL22ANF	KL22ANL	KL22ANQ	KL22ANU	KL22ANX

Motor, Coupling, Motor Adaptor

Mot.power, kW >	0,55	1,1	1,5	1,5	2,2	2,2	3,0
-----------------	------	-----	-----	-----	-----	-----	-----

**1	kW >	0,55	1,1	1,5	2,2	3,0
	Motor 4P ->	107230760	50005RD00	50006RD00	50010RD00	50011RD00
2	Adaptor	161470800	161470820	161470820	161470840	161470840
23	Lifting bracket	-	-	-	-	-
26	Coupling	KL10ABG	KL10ABH	KL10ABH	KL10ABK	KL10ABK
27	Coupling guard	KL33AAR	KL33AAS	KL33AAS	KL33AAT	KL33AAT

Wear Parts Kit

		->22SV06	->22SV11	->22SV17
up to model (->)		1 bearing	2 bearing	3 bearing
*34	Wear parts	KL35AEU	KL35AEV	KL35AEW

Mechanical seal Kit : Mech seal D16 + OR

*20A	Materials->	Q1BEGG	KL01AAE	Std -> Seal Q1BEGG - sleeve OR EPDM / Unbalanced : 10-15-22SV < / = 4 kW
		Q1Q1EGG	KL01AC8	
		Q1BVGG	KL01AAH	
		Q1Q1VGG	KL01ADA	
		Q1CTGG	KL01ADC	
		Q1Q1TGG	KL01ADE	

Common, Single Unit and Kit

3	Base		161431350	-> 15-22SV
4	Plugs	EPDM	KL34AAT	
		FPM	KL34AAL	
		FEP	KL34AAM	
5	Upper holder		-	
*9	Impeller 22SV A304		150703650	
13	Seal housing disc		150102940	
14	Pump body		151302600	-> 15-22SVF
15	Diffuser		152803150	
16	Last stage diffuser		152803050	
17	First stage box		152802950	
*21	OR	EPDM	KL02AA4	
		FPM	KL02AA5	
		FEP	KL02AA6	
24	Motor flange		-	
30	Impellers retainer		KL41AAY	

Parts 15-22SV with less impellers

-> both SV el.pumps 2 - 4 Pole

	Spacer in place of impeller	162503872
	Diffuser box empty	162801652
	Last stage diffuser box empty	162801752

* Recommended spare parts - Parti di ricambio consigliate

* Pièces détachées conseillées - Emptohlene Ersatzteile

** Motor spare parts: see motor lists - Parti di ricambio motore: vedi liste motore

** Pièces détachées Moteur : voir listes moteur - Motor-Ersatzteile: gem. Motorlisten

Specific components related to **1SV F-T-R 2 Pole**

ELP 2 P		1SV02F003	1SV03F003	1SV04F003	1SV05F003	1SV06F003	1SV07F003	1SV08F005	1SV09F005	1SV10F005	1SV11F005	
F Version	M ~ >	1016L1831	1016L1841	1016L1851	1016L1861	1016L1871	1016L1881	1016L1891	1016L1901	1016L1911	1016L1921	
	T ~ >	1016L0011	1016L0021	1016L0031	1016L0041	1016L0051	1016L0061	1016L0071	1016L0081	1016L0091	1016L0101	
		1SV12F007	1SV13F007	1SV15F007	1SV17F011	1SV19F011	1SV22F011	1SV25F015	1SV27F015	1SV30F015	1SV32F022	
	M ~ >	1016L1931	1016L1941	1016L1961	1016L1981	1016L2001	1016L2031	1016L2061	1016L2081	1016L2111	1016L2131	
	T ~ >	1016L0111	1016L0121	1016L0141	1016L0161	1016L0181	1016L0211	1016LA021	1016LA041	1016LA071	1016LA091	
		1SV34F022	1SV37F022									
	M ~ >	1016L2151	1016L2181									
	T ~ >	1016LA111	1016LA141									
	T Version	M ~ >	1016L1830	1016L1840	1016L1850	1016L1860	1016L1870	1016L1880	1016L1890	1016L1900	1016L1910	1016L1920
		T ~ >	1016L0010	1016L0020	1016L0030	1016L0040	1016L0050	1016L0060	1016L0070	1016L0080	1016L0090	1016L0100
		1SV12T007	1SV13T007	1SV15T007	1SV17T011	1SV19T011	1SV22T011	1SV25T015				
M ~ >		1016L1930	1016L1940	1016L1960	1016L1980	1016L2000	1016L2030	1016L2060				
T ~ >		1016L0110	1016L0120	1016L0140	1016L0160	1016L0180	1016L0210	1016LA020				
M ~ >												
T ~ >												
R Version		M ~ >	1016L1883	1016L1893	1016L1903	1016L1913	1016L1923					
		T ~ >	1016L0063	1016L0073	1016L0083	1016L0093	1016L0103					
		1SV12R007	1SV13R007	1SV15R007	1SV17R011	1SV19R011	1SV22R011	1SV25R015	1SV27R015	1SV30R015	1SV32R022	
	M ~ >	1016L1933	1016L1943	1016L1963	1016L1983	1016L2003	1016L2033	1016L2063	1016L2083	1016L2113	1016L2133	
	T ~ >	1016L0113	1016L0123	1016L0143	1016L0163	1016L0183	1016L0213	1016LA023	1016LA043	1016LA073	1016LA093	
		1SV34F022	1SV37F022									
	M ~ >	1016L2153	1016L2183									
	T ~ >	1016LA113	1016LA143									

Single Unit and Kit

10	Sleeve F-T	166443040	166443040	166443060	166443070	166443080	166443100	166443120	166443140	166443150	166443160
		166443180	166443200	166443230	166443260	166443300	166443340	166443390	166443420	166443470	166443500
		166443540	166443580								
	Sleeve R						156500060	156500070	156500080	156500090	156500100
		156500110	156500120	156500140	156500160	156500180	156500210	156500240	156500260	156500290	156500310
		156500330	156500360								

Common, Single Unit and kit

3	Base	161431310	-> 1-3-5SVF-R
		161431300	-> 1-3-5SVT
14	Pump body	151302340	-> 1-3-5SV T / DN 25
		151302320	-> 1-3SVF
		151302330	-> 1-3SVR
25	Kit oval flange OR EPDM	KL20AAF	
	Kit oval flange OR FPM	KL20AAL	-> 1-3SV T

Service kit

-	Pump stack 1SVF EPDM	102882011	102882021	102882031	102882041	102882051	102882061	102882071	102882081	102882091	102882101
		102882111	102882121	102882141	102882161	102882181	102882211	102882241	102882261	102882291	102882311
		102882331	102882361								

1SV F 4 Pole

ELP 4 P, 3 ~		1SV02F0024	1SV05F0024	1SV08F0024	1SV11F0024	1SV15F0024	1SV19F0024	1SV22F0024	1SV27F0024	1SV30F0024	1SV34F0024
F Version	T ~ >	1016L2891	1016L2921	1016L2951	1016L2981	1016L3021	1016L3061	1016L3091	1016L3141	1016L3171	1016L3211
		1SV37F0024									
	T ~ >	1016L3241									

Service kit

-		102882011	102882041	102882071	102882101	102882141	102882181	102882211	102882261	102882291
		102882361								

For common components pls see spare part lists 1-22SV F 2 pole

* Recommended spare parts - Parti di ricambio consigliate

* Pièces détachées conseillées - Empfohlene Ersatzteile

** Motor spare parts: see motor lists - Parti di ricambio motore: vedi liste motore

** Pièces détachées Moteur : voir listes moteur - Motor-Ersatzteile: gem. Motorlisten

Specific components related to

3SV F-T-R 2 Pole

Production date > June 2011

ELP 2 P		3SV02F003	3SV03F003	3SV04F003	3SV05F005	3SV06F005	3SV07F007	3SV08F007	3SV09F011	3SV10F011	3SV11F011
F Version	M ~ >	1016L2231	1016L2241	1016L2251	1016L2261	1016L2271	1016L2281	1016L2291	1016L2301	1016L2311	1016L2321
	T ~ >	1016L0421	1016L0431	1016L0441	1016L0451	1016L0461	1016L0471	1016L0481	1016L0491	1016L0501	1016L0511
		3SV12F011	3SV13F015	3SV14F015	3SV16F015	3SV19F022	3SV21F022	3SV23F022	3SV25F022	3SV27F030	3SV29F030
	M ~ >	1016L2331	1016L2341	1016L2351	1016L2371	1016L2401	1016L2421	1016L2441	1016L2461		
	T ~ >	1016L0521	1016LA191	1016LA201	1016LA221	1016LA251	1016LA271	1016LA291	1016LA311	1016LA331	1016LA351
		3SV31F030	3SV33F030								
M ~ >											
T ~ >	1016LA371	1016LA391									
T Version	M ~ >	3SV02T003	3SV03T003	3SV04T003	3SV05T005	3SV06T005	3SV07T007	3SV08T007	3SV09T011	3SV10T011	3SV11T011
	M ~ >	1016L2230	1016L2240	1016L2250	1016L2260	1016L2270	1016L2280	1016L2290	1016L2300	1016L2310	1016L2320
	T ~ >	1016L0420	1016L0430	1016L0440	1016L0450	1016L0460	1016L0470	1016L0480	1016L0490	1016L0500	1016L0510
		3SV12T011	3SV13T015	3SV14T015	3SV16T015	3SV19T022	3SV21T022				
	M ~ >	1016L2330	1016L2340	1016L2350	1016L2370	1016L2400	1016L2420	1016L2440	1016L2460		
	T ~ >	1016L0520	1016LA190	1016LA200	1016LA220	1016LA250	1016LA270				
M ~ >											
T ~ >											
R Version	M ~ >						3SV07R007	3SV08R007	3SV09R011	3SV10R011	3SV11R011
	T ~ >	1016L0423	1016L0433	1016L0443	1016L0453	1016L0463	1016L0473	1016L0483	1016L0493	1016L0503	1016L0513
		3SV12R011	3SV13R015	3SV14R015	3SV16R015	3SV19R022	3SV21R022	3SV23R022	3SV25R022	3SV27R030	3SV29R030
	M ~ >	1016L2333	1016L2343	1016L2353	1016L2373	1016L2403	1016L2423	1016L2443	1016L2463		
	T ~ >	1016L0523	1016LA193	1016LA203	1016LA223	1016LA253	1016LA273	1016LA293	1016LA313	1016LA333	1016LA353
		3SV31R030	3SV33R030								
M ~ >											
T ~ >	1016LA373	1016LA393									

Single Unit and Kit

10	Sleeve F-T	166443040	166443040	166443060	166443070	166443080	166443100	166443120	166443140	166443150	166443160	
		166443180	166443200	166443220	166443240	166443300	166443320	166443360	166443390	166443420	166443460	
		166443480	166443520									
	Sleeve R						156500060	156500070	156500080	156500090	156500100	
		156500110	156500120	156500130	156500150	156500180	156500200	156500220	156500240	156500260	156500280	
		156500300	156500320									

Common, Single Unit and kit

3	Base	161431310	-> 1-3-5SVF-R
		161431300	-> 1-3-5SVT
14	Pump body	151302340	-> 1-3-5SV T
		151302320	-> 1-3SVF
		151302330	-> 1-3SVR
25	Kit oval flange OR EPDM	KL20AAF	
	Kit oval flange OR FPM	KL20AAL	-> 1-3SV T

Service Kit

-	Pump stack 3SVF EPDM	102882411	102882421	102882431	102882441	102882451	102882461	102882471	102882481	102882491	102882501
		102882511	102882521	102882531	102882551	102882581	102882601	102882621	102882641	102882661	102882681
		102882701	102882721								

3SV F 4 Pole

ELP 4 P, 3 ~		3SV02F0024	3SV05F0024	3SV08F0024	3SV11F0024	3SV14F0024	3SV19F0024	3SV23F0024	3SV27F0034	3SV33F0034
F Version	T ~ >	1016L3301	1016L3331	1016L3361	1016L3391	1016L3421	1016L3471	1016L3511	1016L3551	1016L3611

Service Kit

-	Pump stack 3SVF EPDM	102882411	102882441	102882471	102882501	102882531	102882581	102882621	102882661	102882721
---	----------------------	-----------	-----------	-----------	-----------	-----------	-----------	-----------	-----------	-----------

For common components pls see spare part lists 1-22SV F 2 pole

* Recommended spare parts - Parti di ricambio consigliate

* Pièces détachées conseillées - Empfohlene Ersatzteile

** Motor spare parts: see motor lists - Parti di ricambio motore: vedi liste motore

** Pièces détachées Moteur : voir listes moteur - Motor-Ersatzteile: gem. Motorlisten

1-22SVF_5_June11_EdC

Specific components related to

5SV F-T-R 2 Pole

Production date > June 2011

ELP 2 P		5SV02F003	5SV03F005	5SV04F005	5SV05F007	5SV06F011	5SV07F011	5SV08F011	5SV09F015	5SV10F015	5SV11F015	
F Version	M ~ >	1016L2511	1016L2521	1016L2531	1016L2541	1016L2551	1016L2561	1016L2571	1016L2581	1016L2591	1016L2601	
	T ~ >	1016L0791	1016L0801	1016L0811	1016L0821	1016L0831	1016L0841	1016L0851	1016LA441	1016LA451	1016LA461	
		5SV12F022	5SV13F022	5SV14F022	5SV15F022	5SV16F022	5SV18F030	5SV21F030	5SV23F040	5SV25F040	5SV28F040	
	M ~ >	1016L2611	1016L2621	1016L2631	1016L2641	1016L2651						
	T ~ >	1016LA471	1016LA481	1016LA491	1016LA501	1016LA511	1016LA531	1016LA561	1016L1001	1016L1021	1016L1051	
		5SV30F055	5SV33F055									
	M ~ >											
	T ~ >	1016L1071	1016L1101									
	T Version	M ~ >	5SV02T003	5SV03T005	5SV04T005	5SV05T007	5SV06T011	5SV07T011	5SV08T011	5SV09T015	5SV10T015	5SV11T015
		M ~ >	1016L2510	1016L2520	1016L2530	1016L2540	1016L2550	1016L2560	1016L2570	1016L2580	1016L2590	1016L2600
T ~ >		1016L0790	1016L0800	1016L0810	1016L0820	1016L0830	1016L0840	1016L0850	1016LA440	1016LA450	1016LA460	
		5SV12T022	5SV13T022	5SV14T022	5SV15T022	5SV16T022	5SV18T030	5SV21T030				
M ~ >		1016L2610	1016L2620	1016L2630	1016L2640	1016L2650						
T ~ >		1016LA470	1016LA480	1016LA490	1016LA500	1016LA510	1016LA530	1016LA560				
M ~ >												
T ~ >												
R Version		M ~ >						5SV07R011	5SV08R011	5SV09R015	5SV10R015	5SV11R015
		T ~ >						1016L2563	1016L2573	1016L2583	1016L2593	1016L2603
							1016L0843	1016L0853	1016LA443	1016LA453	1016LA463	
		5SV12R022	5SV13R022	5SV14R022	5SV15R022	5SV16R022	5SV18R030	5SV21R030	5SV23R040	5SV25R040	5SV28R040	
	M ~ >	1016L2613	1016L2623	1016L2633	1016L2643	1016L2653						
	T ~ >	1016LA473	1016LA483	1016LA493	1016LA503	1016LA513	1016LA533	1016LA563	1016L1003	1016L1023	1016L1053	
		5SV30R055	5SV33R055									
	M ~ >											
	T ~ >	1016L1073	1016L1103									

Single Unit and Kit

10	Sleeve F-T	166443030	166443050	166443070	166443090	166443110	166443130	166443150	166443170	166443190	166443210	
		166443230	166443250	166443270	166443290	166443310	166443330	166443350	166443370	166443390	166443410	166443430
		166443590	166443650									
	Sleeve R						156500630	156500650	156500670	156500690	156500710	
		156500730	156500750	156500770	156500790	156500810	156500850	156500910	156500100	156500990	156501050	
		156501090	156501150									

Common, Single Unit and kit

3	Base	161431310	-> 1-3-5SVF-R
		161431300	-> 1-3-5SVT
14	Pump body	151302340	-> 1-3-5SV T
		151302400	-> 5SVF
		151302410	-> 5SVR
25	Kit oval flange OR EPDM	KL20AAG	
	Kit oval flange OR FPM	KL20AAM	-> 5SV T

Service Kit

-	Pump stack 5SVF EPDM	102882781	102882791	102882801	102882811	102882821	102882831	102882841	102882851	102882861	102882871
		102882881	102882891	102882901	102882911	102882921	102882941	102882971	102882991	102883011	102883041
		102883061	102883091								

5SV F 4 Pole

ELP 2 P		5SV03F0024	5SV06F0024	5SV09F0024	5SV12F0024	5SV15F0034	5SV18F0034	5SV21F0034	5SV25F0054	5SV28F0054	5SV33F0074
F Version	T ~ >	1016L3681	1016L3711	1016L3741	1016L3771	1016L3801	1016L3831	1016L3861	1016L3901	1016L3931	1016L3521

Service Kit

-	Pump stack 5SVF EPDM	102882791	102882821	102882851	102882881	102882911	102882941	102882971	102883011	102883041	102883091
---	----------------------	-----------	-----------	-----------	-----------	-----------	-----------	-----------	-----------	-----------	-----------

For common components pls see spare part lists 1-22SV F 2 pole

* Recommended spare parts - Parti di ricambio consigliate

* Pièces détachées conseillées - Empfohlene Ersatzteile

** Motor spare parts: see motor lists - Parti di ricambio motore: vedi liste motore

** Pièces détachées Moteur : voir listes moteur - Motor-Ersatzteile: gem. Motorlisten

1-22SVF_5_June11_EdC

Specific components related to **10SVF-T-R 2 Pole**

ELP 2P											
F Version	10SV01F007	10SV02F007	10SV03F011	10SV04F015	10SV05F022	10SV06F022	10SV07F030	10SV08F030	10SV09F040	10SV10F040	
	M->	1016L2691	1016L2701	1016L2711	1016L2721	1016L2731	1016L2741				
	T->	1016L1151	1016L1161	1016L1171	1016LA611	1016LA621	1016LA631	1016LA641	1016LA651	1016L1231	1016L1241
		10SV11F040	10SV13F055	10SV15F055	10SV17F075	10SV18F075	10SV20F075	10SV21F110			
	M->										
T->	1016L1251	1016L1271	1016L1291	1016L1311	1016L1321	1016L1341	1016L1351				
T Version	10SV01T007	10SV02T007	10SV03T011	10SV04T015	10SV05T022	10SV06T022	10SV07T030	10SV08T030	10SV09T040	10SV10T040	
	M->	1016L2690	1016L2700	1016L2710	1016L2720	1016L2730	1016L2740				
	T->	1016L1150	1016L1160	1016L1170	1016LA610	1016LA620	1016LA630	1016LA640	1016LA650	1016L1230	1016L1240
		10SV11T040	10SV13T055								
	M->										
T->	1016L1250	1016L1270									
R Version					10SV05R022	10SV06R022	10SV07R030	10SV08R030	10SV09R040	10SV10R040	
	M->				1016L2733	1016L2743					
	T->				1016LA623	1016LA633	1016LA643	1016LA653	1016L1233	1016L1243	
		10SV11R040	10SV13R055	10SV15R055	10SV17R075	10SV18R075	10SV20R075	10SV21R110			
	M->										
T->	1016L1253	1016L1273	1016L1293	1016L1313	1016L1323	1016L1343	1016L1353				

Single Unit and Kit

10	Sleeve F-T	166444020	166444020	166444030	166444040	166444060	166444070	166444080	166444100	166444110	166444120
	Sleeve R	166444140	166444160	166444190	166444220	166444230	166444260	166444270			
		156501450	156501470	156501490	156501510	156501520	156501540	156501550			

Common, Single Unit and kit

14	Pump body	151302470	-> 10SVT
		151302450	-> 10SVF
		151302460	-> 10SVR
25	Kit oval flange OR EPDM	KL20AAH	
	Kit oval flange OR FPM	KL20AAN	->10SV T

Service Kit

-	Pump stack 10SV EPDM	102883141	102883151	102883161	102883171	102883181	102883191	102883201	102883221	102883241	102883261
		102883281	102883331	102883371	102883411	102883431	102883471	102883491			

10SVF 4 Pole

ELP 4P, 3 ~										
Version F	10SV04F0054	10SV06F0054	10SV08F0054	10SV10F0054	10SV13F0074	10SV15F0074	10SV17F0114	10SV19F0114	10SV21F0114	
	T->	1016L4061	1016L4081	1016L4101	1016L4121	1016LB591	1016LB611	1016L4191	1016L4211	1016L4231

Service Kit

-	Pump stack 10SV EPDM	102883171	102883191	102883221	102883261	TbD	TbD	TbD	TbD	TbD

For common components pls see spare part lists 1-22SV F 2 pole

TbD: Part Number To be Defined

* Recommended spare parts - Parti di ricambio consigliate

* Pièces détachées conseillées - Empfohlene Ersatzteile

** Motor spare parts: see motor lists - Parti di ricambio motore: vedi liste motore

** Pièces détachées Moteur : voir listes moteur - Motor-Ersatzteile: gem. Motorlisten

Specific components related to **15SVF-T-R 2 Pole**

ELP 2P											
F Version	M ~>	15SV01F011	15SV02F022	15SV03F030	15SV04F040	15SV05F040	15SV06F055	15SV07F055	15SV08F075	15SV09F075	15SV10F110
	T ~>	1016L2781	1016L2791								
	M ~>	1016L1401	1016LA701	1016LA711	1016L1431	1016L1441	1016L1451	1016L1461	1016L1471	1016L1481	1016L1491
	T ~>	15SV11F110	15SV13F110	15SV15F150	15SV17F150						
	M ~>	1016L1501	1016L1521	1016L1541	1016L1561						
T Version	M ~>	15SV01T011	15SV02T022	15SV03T030	15SV04T040	15SV05T040	15SV06T055	15SV07T055	15SV08T075	15SV09T075	15SV10T110
	T ~>	1016L2780	1016L2790								
	M ~>	1016L1400	1016LA700	1016LA710	1016L1430	1016L1440	1016L1450	1016L1460	1016L1470	1016L1480	1016L1490
R Version	M ~>				15SV04R040	15SV05R040	15SV06R055	15SV07R055	15SV08R075	15SV09R075	15SV10R110
	T ~>				1016L1433	1016L1443	1016L1453	1016L1463	1016L1473	1016L1483	1016L1493
	M ~>	15SV11R110	15SV13R110	15SV15R150	15SV17R150						
	T ~>	1016L1503	1016L1523	1016L1543	1016L1563						
	M ~>										

Single Unit and Kit

10	Sleeve F - T	166444030	166444030	166444050	166444070	166444090	166444110	166444130	166444150	166444170	166444190
		166444210	166444250	166444290	166444330						
	Sleeve R				156501730	156501740	156501750	156501760	156501770	156501780	156501790
		156501800	156501820	156501840	156501860						

Common, Single Unit and kit

14	Pump body	151302470	-> 15-22SVT								
		151302600	-> 15-22SVF								
		151302610	-> 15-22SVR								
25	Kit oval flange OR EPDM	KL20AAK									
	Kit oval flange OR FPM	KL20AAP	->15-22SV T								

Service Kit

-	Pump stack 15SV	102883581	102883591	102883601	102883611	102883631	102883661	102883681	102883701	102883721	102883741
	EPDM	102883761	102883801	102883841	102883881						

15SVF 4 Pole

ELP 4P, 3 ~											
F Version	M ~>	15SV05F0054	15SV07F0074	15SV09F0114	15SV11F0114	15SV13F0154	15SV15F0154	15SV17F0224			
	T ~>	1016L4321	1016LB631	1016L4361	1016L4381	1016L4401	1016L4421	1016L4441			

Service Kit

-	Pump stack 15SV	102883631	TbD	TbD	TbD	TbD	TbD	TbD			
	EPDM										

For common components pls see spare part lists 1-22SV F 2 pole

TbD: Part Number To be Defined

* Recommended spare parts - Parti di ricambio consigliate

* Pièces détachées conseillées - Empfohlene Ersatzteile

** Motor spare parts: see motor lists - Parti di ricambio motore: vedi liste motore

** Pièces détachées Moteur : voir listes moteur - Motor-Ersatzteile: gem. Motorlisten

Specific components related to

22SVF-T-R 2 Pole

ELP 2P											
F Version	22SV01F011	22SV02F022	22SV03F030	22SV04F040	22SV05F055	22SV06F075	22SV07F075	22SV08F110	22SV09F110	22SV10F110	
	M ~>	1016L2831	1016L2841								
	T ~>	1016L1611	1016LA761	1016LA771	1016L1641	1016L1651	1016L1661	1016L1671	1016L1681	1016L1691	1016L1701
		22SV12F150	22SV14F150	22SV17F185							
T Version	22SV01T011	22SV02T022	22SV03T030	22SV04T040	22SV05T055	22SV06T075	22SV07T075	22SV08T110	22SV09T110	22SV10T110	
	M ~>	1016L2830	1016L2840								
	T ~>	1016L1610	1016LA760	1016LA770	1016L1640	1016L1650	1016L1660	1016L1670	1016L1680	1016L1690	1016L1700
		22SV04R040	22SV05R055	22SV06R075	22SV07R075	22SV08R110	22SV09R110	22SV10R110			
R Version				22SV04R040	22SV05R055	22SV06R075	22SV07R075	22SV08R110	22SV09R110	22SV10R110	
	M ~>										
	T ~>				1016L1643	1016L1653	1016L1663	1016L1673	1016L1683	1016L1693	1016L1703
		22SV12R150	22SV14R150	22SV17R185							
M ~>											
	T ~>	1016L1723	1016L1743	1016L1773							

Single Unit and Kit

10	Sleeve F-T	166444030	166444030	166444050	166444070	166444090	166444110	166444130	166444150	166444170	166444190
		166444230	166444270	166444330							
	Sleeve R				156501730	156501740	156501750	156501760	156501770	156501780	156501790
		156501810	156501830	156501860							

Common, Single Unit and Kit

14	Pump body	151302470	-> 15-22SVT
		151302600	-> 15-22SVF
		151302610	-> 15-22SVR
25	Kit oval flange OR EPDM	KL20AAK	
	Kit oval flange OR FPM	KL20AAP	-> 15-22SVT

Service Kit

-	Pump stack 22SV EPDM	102883971	102883981	102883991	102884011	102884041	102884061	102884081	102884101	102884121	102884141
		102884181	102884221	102884281							

22SVF 4 Pole

ELP 4P, 3 ~							
F Version	22SV04F0054	22SV06F0114	22SV08F0114	22SV10F0154	22SV12F0224	22SV14F0224	22SV17F0304
	T ~>	1016L4521	1016L4541	1016L4561	1016L4581	1016L4601	1016L4621

Service Kit

-	Pump stack 22SV EPDM	102884011	TbD	102884091	102884131	102884171	TbD	TbD

For common components pls see spare part lists 1-22SV F 2 pole

TbD: Part Number To be Defined

* Recommended spare parts - Parti di ricambio consigliate

* Pièces détachées conseillées - Empfohlene Ersatzteile

** Motor spare parts: see motor lists - Parti di ricambio motore: vedi liste motore

** Pièces détachées Moteur : voir listes moteur - Motor-Ersatzteile: gem. Motorlisten

1-22SVF_5_June11_EdC