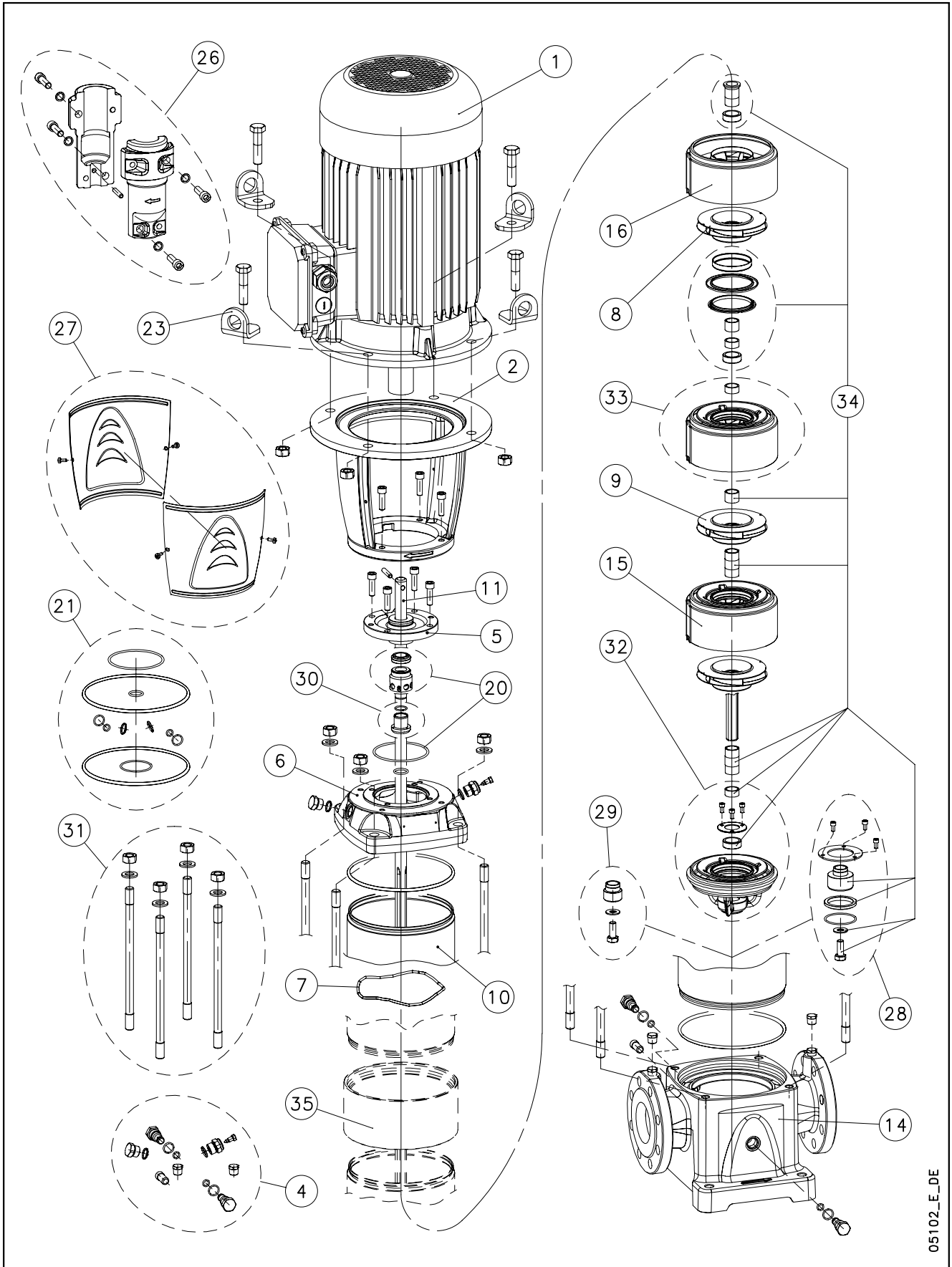


## 33, 46, 66, 92 SV



05102\_E\_DE

Lowara, Flygt and Vogel Pumpen are a trademark of Xylem Inc. or one of its subsidiaries. Goulds is a registered trademark of Goulds Pumps, Inc. and is used under license.

N.	Descrizione It	Description en	Description fr	Beschreibung de	Descripción es	Descrição pt
1	Motore	Motor	Moteur	Motor	Motor	Motor
2	Lanterna	Adaptor	Lanterne	Motorlaterne	Adaptador	Adaptador
4	Tappi	Plugs	Bouchons	Stopfen	Tapones	Tampões
5	Disco porta tenuta	Seal housing plate	Disque de support garniture	Dichtungsdeckel	Disco de alojamiento sello	Disco porta-vedante
6	Testata superiore	Upper head	Tête supérieure	Oberer kopf	Cabezal superior	Cabeça superior
7	Molla	Spring	Ressort	Feder	Muelle	Mola
8	Girante ridotta	Reduced impeller	Roue réduite	Laufrad, reduzierter Durchmesser	Rodete, reducido	Impulsor reduzido
9	Girante piena	Full impeller	Roue pleine	Laufrad, voller Durchmesser	Rodete, completo	Impulsor completo
10	Camicia	Sleeve	Chemise	Gehäuse	Camisa	Camisa
11	Albero	Shaft	Arbre	Welle	Árbol	Veio
14	Corpo pompa	Pump body	Corps de pompe	Pumpengehäuse	Caja bomba	Corpo da bomba
15	Diffusore boccola carbone	Diffuser carbon bush	Diffuseur douille carbone	Diffusor und Büchse, Kohle	Difusor casquillo carbón	Difusor bucha carvão
16	Diffusore finale	Last stage diffuser	Diffuseur dernier étage	Enddiffusor	Difusor final	Difusor final
20	Kit tenuta mecc. + OR	Mechanical seal + OR kit	Kit garniture mec. + joints toriques	Gleitringdichtung + O-Ring [Satz]	Kit sello mec. + junta tórica	Kit vedante mec. + OR
21	Kit guarnizioni OR	O ring kit	Kit joints toriques	Dichtungssatz	Kit juntas tóricas	Kit guarnições OR
23	Anello sollevamento	Lifting ring	Anneau de levage	Huböse	Anillo de elevación	Anel de suspensão
26	Kit coppia di semigiunti	Pair of half coupling kit	Kit paire de demi-manchons	Kupplung [Satz]	Kit par de semijuntas	Kit par de semi-juntas
27	Kit protezione giunto	Coupling guard kit	Kit protection manchon	Kupplungsschutz [Satz]	Kit protección junta	Kit proteção junta
28	Kit tamburo reggipinta	Thrust drum kit	Kit tambour butée	Drucklagerscheibe [Satz]	Kit tambor de empuje	Kit tambor de impulso
29	Kit bloccaggio giranti	Impeller locking kit	Kit blocage roues	Laufrad Halt [Satz]	Kit bloqueo rodetes	Kit bloqueio impulsores
30	Kit bussola tenuta	Bush seal kit	Kit douille garniture	ringdichtungsarretierung und mitneh	Kit casquillo sello	kit bucha vedante
31	Kit tiranti	Tie rods kit	Kit tirants	Zugstangen [Satz]	Kit tirantes	Kit tirantes
32	Kit supporto boccola Widia	Support tungsten bush kit	Kit support douille Widia	Widia Halterung [Satz]	Kit soporte casquillo Widia	Kit suporte com tungstênio bucha
33	Kit diffusore boccola Widia	Diffuser tungsten bush kit	Kit diffuseur douille Widia	Diffusor mit Widia Büchse [Satz]	Kit difusor casquillo Widia	Kit difusor com tungstênio bucha
34	Kit parti di usura	Wear parts kit	Kit parties d'usure	Verschleißteile [Satz]	Kit piezas de desgaste	Kit peças desgastáveis
35	Anello per camicie	Sleeve ring	Anneau pour chemises	Ringhülse	Anillo para camisas	Anel para camisas
N.	Beschrijving nl	Περιγραφή el	Açıklama tr	Kuvau fi	Описание ru	Opis pl
1	Motor	Πλήρης κινητήρας	Motor	Moottori	Двигатель	Silnik
2	Lantaarnstuk	Μπρακέτο	Adaptör	Sovitin	Крестовина	Piasta
4	Pluggen	Σετ πατών	Tapalar	Tulpat	Пробки	Zatyczki
5	Dichtingssteunplaat	Δίσκος μηχανικού στυπιοθλίπτη	Sızdırmazlık elemanı diski	Tiivisteenn kannatuslevy	Пластина держателя прокладки	Tarcza uszczelki
6	Bovenste kop	Κεφαλή αντλίας	Üst kafa	Yläkansi	Верхняя головка	Głowica górna
7	Veer	Έλασμα	Yay	Jousi	Пружина	Sprężyna
8	Waaier met verkleinde diameter	Πτερόγιο μειωμένης διαμέτρου	Küçük boylu pompa rotoru	Pieni juoksupyörä	Уменьшенное рабочее колесо	Wirnik niepełny
9	Volle waaier	Πτερόγιο πλήρους διαμέτρου	Tam boylu pompa rotoru	Täydellinen juoksupyörä	Полное рабочее колесо	Wirnik pełny
10	Mantel	Κέλυφος	Gömlek	Muhvi	Муфта	Plaszcz
11	As	Άξονας	Mil	Akseli	Вал	Wał
14	Pomphuis	Σώμα αντλίας	Pompa gövdesi	Pumpun runko	Корпус насоса	Korpus pompy
15	Diffusor koollager	Πτερόγιο εκτροπής με κουζινέτο	Karbon burçlu difüzör	Diffusori ja hiiliholkki	Диффузор втулки угля	Dyfuzor tulejki węgla
16	Diffusor laatste trap	Τελευταίο πτερόγιο εκτροπής	Son difüzör	Loppuvaiheen diffuusori	Конечный диффузор	Dyfuzor końcowy
20	Set mech. asafdichting + O-ring	Μηχανικός στυπιοθλίπτης και ροδέλες στεγανοποίησης	Mekanik salmastra kiti + O-Ring	Mek. tiiviste + O-rengassarja	Комплект мех.прокладки + OR	Zestaw uszcz. mech. + OR
21	Set O-ringafdichtingen	Σετ ροδέλες στεγανοποίησης	O-Ring kiti	O-rengassarja	Комплект кольцевых прокладок OR	Zestaw uszczel. OR
23	Hijs ring	Άρση δαχτυλίδι	Cihaz kaldırma	Nostorengas	Подъемные кольца	Pierścień podnoszenia
26	Set koppelingshelften	Σετ σταθερού συνδέσμου	Çift yarım manşon kiti	Liitinsarja	Комплект пары полумуфт	Zestaw pary półzłączy
27	Set koppelingsbescherming	Καλύμματα προστασίας σταθερού συνδέσμου	Manşon koruma kiti	Liitoksen suojuussarja	Комплект защиты муфт	Zestaw ochronny złączy
28	Set druklagertrommel	Σετ ωστικού εμβόλου	Basınç yatağı tambur kiti	Rumpusarja	Комплект упорного барабана	Testaw bębna łożyska oporowego
29	Set waaierblokkeringen	Σετ ασφάλισης πτερυγίων	Pompa rotorlarını sabitleme kiti	Juoksupyörien kiinnityssarja	Комплект блокировки раб. колес	Zestaw blokujący wirniki
30	Set afdichtingsbus	Σετ κουζινέτου μηχανικού στυπιοθλίπτη	Sızdırmazlık elemanı burcu kiti	Holkki ja tiiviste	Комплект втулки уплотнения	Zestaw busoli uszczel.
31	Set trekstangen	Σετ ράβδων σύνδεσης	Gergi çubuğu kiti	Vetotankosarja	Комплект тяг	Zestaw napinaczy
32	Set Widia steunbus	Σετ κάτω κουζινέτου	Tungsten burçlu mesnedi kiti	Kannatin ja kovametalliholkki	Комплект опоры втулки Widia	Zestaw wspornika tulejki Wolfram
33	Set Widia diffusorbus	Σετ πτερυγίου εκτροπής με κουζινέτο και δακτύλιο τριβής	Tungsten burçlu difüzör kiti	Diffusori ja kovametalliholkki	Комплект диффузора втулки Widia	Zestaw dyfuzora tulejki Wolfram
34	Set slijtonderdelen	Σετ δακτύλιων τριβής	Aşınma parçaları kiti	Kulumisiosien sarja	Комплект изнашиваемых частей	Zestaw części podł. zużyciu
35	Ring voor mantels	Σύνδεσμος κελύφων	Gömlek halkası	Muhvirengas	Кольцо муфты	Pierścień do płaszczy

## 33SVG 2 Pole

ELP 2 P, 3 ~											
G - Version	33SV1/1AG	33SV1G	33SV2/2AG	33SV2/1AG	33SV2G	33SV3/2AG	33SV3/1AG	33SV3G	33SV4/2AG	33SV4/1AG	
T ->	101570011	101570021	101570031	101570041	101570051	101570061	101570071	101570081	101570091	101570101	
	<b>33SV4G</b>	<b>33SV5/2AG</b>	<b>33SV5/1AG</b>	<b>33SV5G</b>	<b>33SV6/2AG</b>	<b>33SV6/1AG</b>	<b>33SV6G</b>	<b>33SV7/2AG</b>	<b>33SV7/1AG</b>	<b>33SV7G</b>	
T ->	101570111	101570121	101570131	101570141	101570151	101570161	101570171	101570181	101570191	101570201	
	<b>33SV8/2AG</b>	<b>33SV8/1AG</b>	<b>33SV8G</b>	<b>33SV9/2AG</b>	<b>33SV9/1AG</b>	<b>33SV9G</b>	<b>33SV10/2AG</b>	<b>33SV10/1AG</b>	<b>33SV10G</b>	<b>33SV11/2AG</b>	
T ->	101570211	101570221	101570231	101570241	101570251	101570261	101570271	101570281	101570291	101570301	
	<b>33SV11/1AG</b>	<b>33SV11G</b>	<b>33SV12/2AG</b>	<b>33SV12/1AG</b>	<b>33SV12G</b>	<b>33SV13/2AG</b>	<b>33SV13/1AG</b>				
T ->	101570311	101570321	101570331	101570341	101570351	101570361	101570371				
Motor power kw >	2,2	3,0	4,0	4,0	5,5	5,5	7,5	7,5	7,5	11,0	
	11,0	11,0	11,0	15,0	15,0	15,0	15,0	15,0	18,5	18,5	
	18,5	18,5	22,0	22,0	22,0	22,0	22,0	30,0	30,0	30,0	
	30,0	30,0	30,0	30,0	30,0	30,0	30,0				

### Single Unit and Kit

Stages >		1	2	3	4	5	6	7	8	9	10
		11	12	13							
10	Sleeve STD PN25	166441881	166441891	166441901	166441911	166441921	166441931	166441941	166441951	166441961	166441971
	Sleeve STD PN40	KL13AAA	KL13AAB	KL13AAC	<b>Note. Double Sleeve Kit are without ring (pls see item 35)</b>						
	Sleeve OPT PN40	156408600	156408610	156408620	156408630	156408640	156408650	156408660	156408670	156408680	156408690
11	Shaft	165045621	165045631	165045641	165045651	165045661	165045671	165045681	165045691	165045701	165045711
		165045721	165045731	165045741							
31	Tie rods kit SVG	KL22AAC	KL22AAD	KL22AAE	KL22AAF	KL22AAG	KL22AAH	KL22AAK	KL22AAL	KL22AAM	KL22AAN
		KL22AAP	KL22AAQ	KL22AAR							

### Motor, Coupling, Adaptor

**1	kw >	2,2	3,0	4,0	5,5	7,5	11,0	15,0	18,5	22,0	30,0
	Motor 2P, 3 ~>	50001RD00	50002RF00	50008VG00	50013VE00	50017VB00	50019VE00	50024VB00	50025VB00	50026VE00	107242100
2	Adaptor	161453600	161453620	161453620	161453640	161453640	161453660	161453660	161453660	161453660	161453680
23	Lifting bracket	-	-	-	161441050	161441050	161441060	161441060	161441060	161441060	161441070
26	Coupling	KL10AAA	KL10AAB	KL10AAB	KL10AAC	KL10AAC	KL10AAD	KL10AAD	KL10AAD	KL10AAE	KL10AAF
27	Coupling guard	KL33AAA	KL33AAA	KL33AAA	KL33AAB	KL33AAB	KL33AAC	KL33AAC	KL33AAC	KL33AAC	KL33AAC

### Wear parts, pump body drum, impeller stop, impeller locking

		->33SV4	->33SV5	->33SV9	->33SV13
		1 bearing no drum	2 bearing no drum	2 bearing drum	3 bearing drum
* 34	<b>Wear Parts Kit</b>	KL35AA9	KL35ABA	KL35ABB	KL35ABD
14	Pump body	PN16 PN25-40	151351000 -	151351000 -	- 151351020 151351020
28	Drum	EPDM FPM FEP	- - -	- - -	KL41AAA KL41AAD KL41AAS
29	Impeller locking	KL41AAG	KL41AAG	-	-

### Mech seal D22 + OR

*20	Materials ->	Q1BEGG	KL01AC0	STD -> Q1BEGG - OR EPDM
		Q1Q1EGG	KL01AC1	
		Q1BVG	KL01AC2	
		Q1Q1VGG	KL01AC3	
		Q1CTGG	KL01AC5	
		Q1Q1TGG	KL01AC6	

### Common, Single Unit and Kit

4	Plugs	EPDM FPM FEP	KL34AAF KL34AAG KL34AAH	
5	Seal housing plate		160150260	
6	Upper head		161453740	
7	Spring		169100190	
*8	Reduced impeller A		150702820	
*9	Full impeller		150702740	
15	Diffuser carbon bush		152801801	304 SS
16	Last stage diffuser		152801731	304 SS
*21	OR	EPDM FPM FEP	KL02AAA KL02AAD KL02AA7	Single-Double Sleeve Single Sleeve
	OR	FPM FEP	KL02AAE KL02AA8	Double Sleeve
30	Bush seal		KL41AAH	
32	Support tungsten bush SVG		KL16AAA	
*33	Diffuser tungsten bush		KL05AC6	From 33SV4, incl.
35	Sleeve ring		168601900	<b>For 11-12-13 Stages Pumps</b>

\* Recommended spare parts - Parti di ricambio consigliate

\* Pièces détachées conseillées - Empfohlene Ersatzteile

\*\* Motor spare parts: see motor lists - Parti di ricambio motore: vedi liste motore

\*\* Pièces détachées Moteur : voir listes moteur - Motor-Ersatzteile: gem. Motorlisten

## 33SVG 4 Pole

Production date > June11

ELP 4 P, 3 ~										
G - Version	33SV3/2AG4	33SV4/1AG4	33SV5G4	33SV6G4	33SV7G4	33SV8G4	33SV9G4	SV3310G4	SV3311G4	SV3312G4
T ->	101570561	101570601	101570641	101570671	101570701	101570731	101570761	101570791	101570821	101570851
	<b>SV3313G4</b>									
T ->	101570881									
Motor power	1,1	1,1	1,5	2,2	2,2	3,0	3,0	3,0	4,0	4,0
kW >	4,0									

Stages >	3	4	5	6	7	8	9	10	11	12
	13									
10 Sleeve STD PN25	166441901	166441911	166441921	166441931	166441941	166441951	166441961	166441971	KL13AAAD	KL13AAE
	KL13AAF	<b>Note. Double Sleeve Kit are without ring (pls see item 35)</b>								
Sleeve OPT PN40	156408620	156408630	156408640	156408650	156408660	156408670	156408680	156408690	KL13AAA	KL13AAB
	KL13AAC	<b>Note. Double Sleeve Kit are without ring (pls see item 35)</b>								
11 Shaft	165045641	165045651	165045661	165045671	165045681	165045691	165045701	165045711	165045721	165045731
	165045741									
31 Tie rods kit SVG	KL22AAE	KL22AAF	KL22AAG	KL22AAH	KL22AAK	KL22AAL	KL22AAM	KL22AAN	KL22AAP	KL22AAQ
	KL22AAR									

### Motor, Coupling, Adaptor

**1	kW >	1,1	1,5	2,2	3,0	4,0
	Motor 4P, 3~ ->	50005RD00	50006RD00	50010RD00	50011RD00	50015VD00
2	Adaptor	161453600	161453600	161453620	161453620	161453620
23	Lifting bracket	-	-	-	-	-
26	Coupling	KL10AAA	KL10AAA	KL10AAB	KL10AAB	KL10AAB
27	Coupling guard	KL33AAA	KL33AAA	KL33AAA	KL33AAA	KL33AAA

### Wear parts, pump body

		- >33SV4	- >33SV9	->33SV13
impeller stop, impeller locking		1 bearing no drum	2 bearing no drum	3 bearing no drum
* 34	Wear Parts Kit	KL35AA9	KL35ABA	KL35ABC
14	Pump body PN16	151351000	151351000	151351000
29	Impeller locking	KL41AAG	KL41AAG	KL41AAG

### Mech seal D22 + OR

*20	Materials ->	Q1BEGG	KL01AC0	STD -> Q1BEGG - OR EPDM
		Q1Q1EGG	KL01AC1	
		Q1BVGG	KL01AC2	
		Q1Q1VGG	KL01AC3	
		Q1CTGG	KL01AC5	
		Q1Q1TGG	KL01AC6	

### Common, Single Unit and Kit

4	Plugs	EPDM	KL34AAF	
		FPM	KL34AAG	
		FEP	KL34AAH	
5	Seal housing plate		160150260	
6	Upper head		161453740	
7	Spring		169100190	
8	Reduced impeller A		150702820	
9	Full impeller		150702740	
15	Diffuser carbon bush		152801801	304 SS
16	Last stage diffuser		152801731	304 SS
*21	OR	EPDM	KL02AAA	Single-Double Sleeve
		FPM	KL02AAD	
	OR	FEP	KL02AA7	Single Sleeve
		FPM	KL02AAE	
	OR	FEP	KL02AA8	Double Sleeve
30	Bush seal		KL41AAH	
32	Support tungsten bush SVG		KL16AAA	
*33	Diffuser tungsten bush		KL05AC6	From 33SV4, included
35	Sleeve ring		168601900	<b>For 11-12-13 Stages Pumps</b>
	Diffuser box empty		152801960	33-46SV 2-4 pole

\* Recommended spare parts - Parti di ricambio consigliate

\* Pièces détachées conseillées - Empfohlene Ersatzteile

\*\* Motor spare parts: see motor lists - Parti di ricambio motore: vedi liste motore

\*\* Pièces détachées Moteur : voir listes moteur - Motor-Ersatzteile: gem. Motorlisten

3392SV\_G\_5\_June11\_EdB

## 46SVG 2 Pole

ELP 2 P, 3 ~										
G - Version	46SV1/1AG	46SV1G	46SV2/2AG	46SV2G	46SV3/2AG	46SV3G	46SV4/2AG	46SV4G	46SV5/2AG	46SV5G
T ~ >	101572011	101572021	101572031	101572041	101572051	101572061	101572071	101572081	101572091	101572101
T ~ >	46SV6/2AG	46SV6G	46SV7/2AG	46SV7G	46SV8/2AG	46SV8G	46SV9/2AG	46SV9G	SV4610/2AG	SV4610G
T ~ >	101572111	101572121	101572131	101572141	101572151	101572161	101572171	101572181	101572191	101572201
T ~ >	SV4611/2AG	SV4611G	SV4612/2AG	SV4612G	SV4613/2AG					
T ~ >	101572211	101572221	101572231	101572241	101572251					
Motor power kW >	3.0	4.0	5.5	7.5	11.0	15.0	15.0	15.0	18.5	18.5
	22.0	22.0	30.0	30.0	30.0	30.0	30.0	37.0	37.0	37.0
	45.0	45.0	45.0	45.0	45.0					

### Single Unit and Kit

	Stages >											
	1	2	3	4	5	6	7	8	9	10		
10 Sleeve STD PN25	166441881	166441891	166441901	166441911	166441921	166441931	166441941	166441951	166441961	156408690		
Sleeve STD PN40	KL13AAA	KL13AAB	KL13AAC	Note. Double Sleeve Kit are without ring (pls see item 35)								
Sleeve OPT PN40	156408600	156408610	156408620	156408630	156408640	156408650	156408660	156408670	156408680	156408690		
11 Shaft	165045621	165045631	165045641	165045651	165045661	165045671	165045681	165045691	165045701	165045711		
	165045721	165045731	165045741									
31 Tie rods kit SVG	KL22AAC	KL22AAD	KL22AAE	KL22AAF	KL22AAG	KL22AAH	KL22AAK	KL22AAL	KL22AAM	KL22AAN		
	KL22AAP	KL22AAQ	KL22AAR									

### Motor, Coupling, Adaptor

**1	kW >	3.0	4.0	5.5	7.5	11.0	15.0	18.5	22.0	30.0	37.0
		45.0									
Motor 2P, 3~>		50002RF00	50008VG00	50013VE00	50017VB00	50019VE00	50024VB00	50025VB00	50026VE00	107242100	107242200
		107242300									
2 Adaptor		161453620	161453620	161453640	161453640	161453660	161453660	161453660	161453660	161453680	161453680
		161453700									
23 Lifting bracket		-	-	161441050	161441050	161441060	161441060	161441060	161441060	161441070	161441070
		161441070									
26 Coupling		KL10AAB	KL10AAB	KL10AAC	KL10AAC	KL10AAD	KL10AAD	KL10AAD	KL10AAE	KL10AAF	KL10AAF
		KL10AAF									
27 Coupling guard		KL33AAA	KL33AAA	KL33AAB	KL33AAB	KL33AAC	KL33AAC	KL33AAC	KL33AAC	KL33AAC	KL33AAC
		KL33AAC									

### Wear parts, pump body

		->46SV3	->46SV4	->46SV9	->46SV13
drum, impeller stop,		1 bearing	1 bearing	2 bearing	3 bearing
impeller locking		no drum	drum	drum	drum
*34 Wear Parts Kit		KL35ABE	KL35ABX	KL35ABG	KL35ABK
14 Pump body	PN16	151351040	-	-	-
	PN16-40	-	151351060	151351060	151351060
28 Drum	EPDM	-	KL41AAB	KL41AAB	KL41AAB
	FPM	-	KL41AAE	KL41AAE	KL41AAE
	FEP	-	KL41AAT	KL41AAT	KL41AAT
29 Impeller locking		KL41AAG	-	-	-

### Mechanical seal D22 + OR

*20	Materials ->	KL01AC0	Q1BEGG	STD -> Q1BEGG - OR EPDM
		KL01AC1	Q1Q1EGG	
		KL01AC2	Q1BVGG	
		KL01AC3	Q1Q1VGG	
		KL01AC5	Q1CTGG	
		KL01AC6	Q1Q1TGG	

### Common, Single Unit and Kit

4	Plugs	EPDM	KL34AAF	
		FPM	KL34AAG	
		FEP	KL34AAH	
5	Seal housing plate		160150260	
6	Upper head		161453740	
7	Spring		169100190	
*8	Reduced impeller A		150702830	
*9	Full impeller		150702750	
15	Diffuser carbon bush		152801811	304 SS
16	Last stage diffuser		152801731	304 SS
*21	OR	EPDM	KL02AAA	Single-Double Sleeve
	OR	FPM	KL02AAD	
		FEP	KL02AA7	Single Sleeve
	OR	FPM	KL02AAE	
		FEP	KL02AA8	Double Sleeve
30	Bush seal		KL41AAH	
32	Support tungsten bush SVG		KL16AAB	
*33	Diffuser tungsten bush		KL05AC7	From 46SV5, included
35	Sleeve ring		168601900	For 11-12-13 Stages Double Sleeve Pumps

\* Recommended spare parts - Parti di ricambio consigliate

\* Pièces détachées conseillées - Empfohlene Ersatzteile

\*\* Motor spare parts: see motor lists - Parti di ricambio motore: vedi liste motore

## 46SVG 4 Pole

ELP 4P, 3 ~										
G - Version	46SV2G4	46SV3G4	46SV4G4	46SV5G4	46SV6G4	46SV7G4	46SV8G4	46SV9G4	SV4610G4	SV1611G4
T ~ >	101572541	101572561	101572581	101572601	101572621	101572641	101572661	101572681	101572701	101572721
	<b>SV4612G4</b>									
T ~ >	101572741									
Motor power	1,1	1,5	2,2	2,2	3,0	3,0	4,0	4,0	5,5	5,5
kW >	5,5									

### Single Unit and Kit

Stages >		2	3	4	5	6	7	8	9	10	11
10	Sleeve STD PN25	166441891	166441901	166441911	166441921	166441931	166441941	166441951	166441961	166441971	KL13AAD
		KL13AAE	<b>Note. Double Sleeve Kit are without ring (pls see item 35)</b>								
	Sleeve OPT PN40	156408610	156408620	156408630	156408640	156408650	156408660	156408670	156408680	156408690	KL13AAA
		KL13AAB	<b>Note. Double Sleeve Kit are without ring (pls see item 35)</b>								
11	Shaft	165045631	165045641	165045651	165045661	165045671	165045681	165045691	165045701	165045711	165045721
		165045731									
31	Tie rods kit SVG	KL22AAD	KL22AAE	KL22AAF	KL22AAG	KL22AAH	KL22AAK	KL22AAL	KL22AAM	KL22AAN	KL22AAP
		KL22AAQ									

### Motor, Coupling, Adaptor

**1	kW >	1,1	1,5	2,2	3,0	4,0	5,5
	Motor 4P ->	50005RD00	50006RD00	50010RD00	50011RD00	50015VD00	50020VB00
2	Adaptor	161453600	161453600	161453620	161453620	161453620	161453640
23	Lifting bracket	-	-	-	-	-	161441050
26	Coupling	KL10AAA	KL10AAA	KL10AAB	KL10AAB	KL10AAB	KL10AAC
27	Coupling guard	KL33AAA	KL33AAA	KL33AAA	KL33AAA	KL33AAA	KL33AAB

### Wear parts, pump body

impeller halt, impeller locking		->46SV4	->46SV9	->46SV12
		1 bearing no drum	2 bearing no drum	3 bearing no drum
*34	Wear Parts Kit	KL35ABE	KL35ABF	KL35ABH
14	Pump body PN16	151351060	151351060	151351060
29	Impeller locking	KL41AAG	KL41AAG	KL41AAG

### Mechanical seal D22 + OR

*20	Materials ->	KL01AC0	Q1BEGG	STD -> Q1BEGG - OR EPDM
		KL01AC1	Q1Q1EGG	
		KL01AC2	Q1BVGG	
		KL01AC3	Q1Q1VGG	
		KL01AC5	Q1CTGG	
		KL01AC6	Q1Q1TGG	

### Common, Single Unit and Kit

4	Plugs	EPDM	KL34AAF	
		FPM	KL34AAG	
		FEP	KL34AAH	
5	Seal housing plate		160150260	
6	Upper head		161453740	
7	Spring		169100190	
8	Reduced impeller A		150702830	
9	Full impeller		150702750	
15	Diffuser carbon bush		152801811	304 SS
16	Last stage diffuser		152801731	304 SS
*21	OR	EPDM	KL02AAA	Single-Double Sleeve
	OR	FPM	KL02AAD	
		FEP	KL02AA7	Single Sleeve
	OR	FPM	KL02AAE	
		FEP	KL02AA8	Double Sleeve
30	Bush seal		KL41AAH	
32	Support tungsten bush SVG		KL16AAB	
*33	Diffuser tungsten bush		KL05AC7	From 46SV5, included
35	Sleeve ring		168601900	For 11-12 Stages Double Sleeve Pumps
	Diffuser box empty		152801960	33-46SV 2-4 pole

\* Recommended spare parts - Parti di ricambio consigliate

\* Pièces détachées conseillées - Empfohlene Ersatzteile

\*\* Motor spare parts: see motor lists - Parti di ricambio motore: vedi liste motore

\*\* Pièces détachées Moteur : voir listes moteur - Motor-Ersatzteile: gem. Motorlisten

## 66SVG 2 Pole

ELP 2 P, 3 ~											
G - Version	66SV1/1AG	66SV1G	66SV2/2AG	66SV2/1AG	66SV2G	66SV3/2AG	66SV3/1AG	66SV3G	66SV4/2AG	66SV4/1AG	
	T ~ >	101574011	101574021	101574031	101574041	101574051	101574061	101574071	101574081	101574091	101574101
		66SV4G	66SV5/2AG	66SV5/1AG	66SV5G	66SV6/2AG	66SV6/1AG	66SV6G	66SV7/2AG	66SV7/1AG	66SV7G
T ~ >	101574111	101574121	101574131	101574141	101574151	101574161	101574171	101574181	101574191	101574201	
		66SV8/2AG	66SV8/1AG	66SV8G							
T ~ >	101574221	101574211	101574231								
Motor power	4.0	5.5	7.5	11.0	11.0	15.0	15.0	18.5	18.5	22.0	
	22.0	30.0	30.0	30.0	30.0	30.0	37.0	37.0	37.0	45.0	
	45.0	45.0	45.0								

### Single Unit and Kit

Stages >		1	2	3	4	5	6	7	8
10	Sleeve STD PN25	166442081	166442091	166442101	166442111	166442121	166442131	166442141	166442151
	Sleeve OPT PN40	156408750	156408760	156408770	156408780	156408790	156408800	156408810	156408820
11	Shaft	165045781	165045791	165045801	165045811	165045821	165045831	165045841	165045851
31	Tie rods kit SVG	KL22AA5	KL22AA6	KL22AA7	KL22AA8	KL22AAH	KL22AA9	KL22ABA	KL22ABB

### Motor, Coupling, Motor Adaptor

**1	kw >	4.0	5.5	7.5	11.0	15.0	18.5	22.0	30.0	37.0	45.0
	Motor 2P, 3~ >	50008VG00	50013VE00	50017VB00	50019VE00	50024VB00	50025VB00	50026VE00	107242100	107242200	107242300
2	Adaptor	161453620	161453640	161453640	161453660	161453660	161453660	161453660	161453680	161453680	161453700
23	Lifting bracket	-	161441050	161441050	161441060	161441060	161441060	161441060	161441070	161441070	161441070
26	Coupling	KL10AAB	KL10AAC	KL10AAC	KL10AAD	KL10AAD	KL10AAD	KL10AAE	KL10AAF	KL10AAF	KL10AAF
27	Coupling guard	KL33AAA	KL33AAB	KL33AAB	KL33AAC	KL33AAC	KL33AAC	KL33AAC	KL33AAC	KL33AAC	KL33AAC

### Wear parts, pump body drum, impeller stop, impeller locking

		->66SV2	->66SV3	->66SV6	->66SV8
		1 bearing no drum	1 bearing drum	2 bearing drum	3 bearing drum
*34	Wear Parts kit	KL35ABL	KL35ABY	KL35ABN	KL35ABQ
14	Pump body	PN16	151351080	151351100	151351100
		PN 25	-	-	151351130
28	Drum	EPDM	-	KL41AAC	KL41AAC
		FPM	-	KL41AAF	KL41AAF
		FEP	-	KL41AAU	KL41AAU
29	Impeller locking	KL41AAG	-	-	-

### Mechanical seal D22 + OR

*20	Materials ->	Q1BEGG	KL01AC0	STD -> Q1BEGG - OR EPDM
		Q1Q1EGG	KL01AC1	
		Q1BVGG	KL01AC2	
		Q1Q1VGG	KL01AC3	
		Q1CTGG	KL01AC5	
		Q1Q1TGG	KL01AC6	

### Common, Single Unit and Kit

4	Plugs	EPDM	KL34AAF	
		FPM	KL34AAG	
		FEP	KL34AAH	
5	Seal housing plate	160150260		
6	Upper head	161453760		
7	Spring	169100210		
*8	Reduced impeller	150702840		
*9	Full impeller	150702760		
15	Diffuser carbon bush	152801821	304 SS	
16	Last stage diffuser	152801751	304 SS	
*21	OR	EPDM	KL02AAC	
		FPM	KL02AAF	
		FEP	KL02AA9	
30	Bush seal	KL41AAH		
32	Support tungsten bush SVG	KL16AAC		
*33	Diffuser tungsten bush	KL05AC8	From 66SV4, included	

\* Recommended spare parts - Parti di ricambio consigliate

\* Pièces détachées conseillées - Empfohlene Ersatzteile

\*\* Motor spare parts: see motor lists - Parti di ricambio motore: vedi liste motore

\*\* Pièces détachées Moteur : voir listes moteur - Motor-Ersatzteile: gem. Motorlisten

## 66SVG 4 Pole

ELP 4 P, 3 ~								
G - Version	66SV1F4	66SV2F4	66SV3F4	66SV4F4	66SV5F4	66SV6F4	66SV7F4	66SV8F4
T ~>	101574521	101574551	101574581	101574611	101574641	101574671	101574701	101574731
Mot. power, kW ->	1,1	1,5	2,2	3,0	4,0	4,0	5,5	5,5

Stages >		1	2	3	4	5	6	7	8
10	Sleeve STD PN25	166442081	166442091	166442101	166442111	166442121	166442131	166442141	166442151
	Sleeve OPT PN40	156408750	156408760	156408770	156408780	156408790	156408800	156408810	156408820
11	Shaft	165045781	165045791	165045801	165045811	165045821	165045831	165045841	165045851
31	Tie rods kit SVG	KL22AA5	KL22AA6	KL22AA7	KL22AA8	KL22AAH	KL22AA9	KL22ABA	KL22ABB

### Motor, Coupling, Motor Adaptor

**1	kW >	1,1	1,5	2,2	3,0	4,0	5,5
	Motor 4P, 3~>	50005RD00	50006RD00	50010RD00	50011RD00	50015VD00	50020VB00
2	Adaptor	161453600	161453600	161453620	161453620	161453620	161453640
23	Lifting bracket	-	-	-	-	-	161441050
26	Coupling	KL10AAA	KL10AAA	KL10AAB	KL10AAB	KL10AAB	KL10AAC
27	Coupling guard	KL33AAA	KL33AAA	KL33AAA	KL33AAA	KL33AAA	KL33AAB

### Wear parts, pump body

Wear parts, pump body impeller stop, impeller locking		->66SV3	->66SV6	->66SV8
		1 bearing no drum	2 bearing no drum	3 bearing no drum
*34	Wear parts kit	KL35ABL	KL35ABM	KL35ABP
14	Pump body PN16	151351080	151351080	151351080
29	Impeller locking	KL41AAG	KL41AAG	KL41AAG

### Mechanical seal D22 + OR

*20	Materials ->	Q1BEGG	KL01AC0	STD -> Q1BEGG - OR EPDM
		Q1Q1EGG	KL01AC1	
		Q1BVGG	KL01AC2	
		Q1Q1VGG	KL01AC3	
		Q1CTGG	KL01AC5	
		Q1Q1TGG	KL01AC6	

### Common, Single Unit and Kit

4	Plugs	EPDM	KL34AAF	
		FPM	KL34AAG	
		FEP	KL34AAH	
5	Seal housing plate		160150260	
6	Upper head		161453760	
7	Spring		169100210	
8	Reduced impeller A		150702840	
9	Full impeller		150702760	
15	Diffuser carbon bush		152801821	304SS
16	Last stage diffuser		152801751	304SS
*21	OR	EPDM	KL02AAC	
		FPM	KL02AAF	
		FEP	KL02AA9	
30	Bush seal		KL41AAH	
32	Support tungsten bush SVG		KL16AAC	
*33	Diffuser tungsten bush		KL05AC8	From 66SV4, included
	Diffuser box empty		152801970	66-92SV 2-4 pole

\* Recommended spare parts - Parti di ricambio consigliate

\* Pièces détachées conseillées - Empfohlene Ersatzteile

\*\* Motor spare parts: see motor lists - Parti di ricambio motore: vedi liste motore

\*\* Pièces détachées Moteur : voir listes moteur - Motor-Ersatzteile: gem. Motorlisten

3392SV\_G\_5\_June11\_EdB



ELP 2 P, 3 ~										
G - Version	92SV1/1AG	92SV1G	92SV2/2AG	92SV2G	92SV3/2AG	92SV3G	92SV4/2AG	92SV4G	92SV5/2AG	92SV5G
T ~ >	101576011	101576021	101576031	101576041	101576051	101576061	101576071	101576081	101576091	101576101
	92SV6/2AG	92SV6G	92SV7/2AG							
T ~ >	101576111	101576121	101576131							
Motor power	5.5	7.5	11.0	15.0	18.5	22.0	30.0	30.0	37.0	37.0
kW >	45.0	45.0	45.0							

### Single Unit and Kit

Stages >	1	2	3	4	5	6	7
10 Sleeve STD PN25	166442081	166442091	166442101	166442111	166442121	166442131	166442141
Sleeve OPT PN40	156408750	156408760	156408770	156408780	156408790	156408800	156408810
11 Shaft	165045781	165045791	165045801	165045811	165045821	165045831	165045841
31 Tie rods kit SVG	KL22AA5	KL22AA6	KL22AA7	KL22AA8	KL22AAH	KL22AA9	KL22ABA

**1	kW ->	5.5	7.5	11.0	15.0	18.5	22.0	30.0	37.0	45.0
	Mot. 2P, 3 ~ ->	50013VE00	50017VB00	50019VE00	50024VB00	50025VB00	50026VE00	107242100	107242200	107242300
2	Adaptor	161453640	161453640	161453660	161453660	161453660	161453660	161453680	161453680	161453700
23	Lifting bracket	161441050	161441050	161441060	161441060	161441060	161441060	161441070	161441070	161441070
26	Coupling	KL10AAC	KL10AAC	KL10AAD	KL10AAD	KL10AAD	KL10AAE	KL10AAF	KL10AAF	KL10AAF
27	Coupling guard	KL33AAB	KL33AAB	KL33AAC	KL33AAC	KL33AAC	KL33AAC	KL33AAC	KL33AAC	KL33AAC

### Wear parts, pump body drum, impeller stop, impeller locking

		->92SV2	->92SV3	->92SV4	->92SV7
		1 bearing no drum	1 bearing drum	2 bearing drum	3 bearing drum
*34	Wear parts Kit	KL35ABR	KL35ABZ	KL35ABT	KL35ABV
14	Pump body	PN16 PN25	151351080	151351100	151351100
		-	-	-	151351130
28	Drum	EPDM	KL41AAC	KL41AAC	KL41AAC
		FPM	KL41AAF	KL41AAF	KL41AAF
		FEP	KL41AAU	KL41AAU	KL41AAU
29	Impeller locking	KL41AAG	-	-	-

### Mechanical seal D22 + OR

*20	Materials ->	Q1BEGG	KL01AC0	STD -> Q1BEGG - OR EPDM
		Q1Q1EGG	KL01AC1	
		Q1BVGG	KL01AC2	
		Q1Q1VGG	KL01AC3	
		Q1CTGG	KL01AC5	
		Q1Q1TGG	KL01AC6	

### Common, Single Unit and Kit

4	Plugs	EPDM	KL34AAF	
		FPM	KL34AAG	
		FEP	KL34AAH	
5	Seal housing plate		160150260	
6	Upper head		161453760	
7	Spring		169100210	
*8	Reduced impeller		150702850	
*9	Full impeller		150702770	
15	Diffuser carbon bush		152801831	304SS
16	Last stage diffuser		152801751	304SS
*21	OR	EPDM	KL02AAC	
		FPM	KL02AAF	
		FEP	KL02AA9	
30	Bush seal		KL41AAH	
32	Support tungsten bush SVG		KL16AAD	
*33	Diffuser tungsten bush		KL05AC9	From 92SV4, included

\* Recommended spare parts - Parti di ricambio consigliate

\* Pièces détachées conseillées - Empfohlene Ersatzteile

\*\* Motor spare parts: see motor lists - Parti di ricambio motore: vedi liste motore

\*\* Pièces détachées Moteur : voir listes moteur - Motor-Ersatzteile: gem. Motorlisten

3392SV\_G\_5\_June11\_EdB

## 92SVG 4 Pole

ELP 4 P, 3 ~								
G - Version 3 ~ >	92SV1G4	92SV2G4	92SV3G4	92SV4G4	92SV5G4	92SV6G4	92SV7G4	92SV8G4
	Mot. power, kW >	1,1	2,2	3,0	4,0	5,5	5,5	7,5

### Single Unit and Kit

Stages >		1	2	3	4	5	6	7	8
10	Sleeve STD PN25	166442081	166442091	166442101	166442111	166442121	166442131	166442141	166442151
	Sleeve OPT PN40	156408750	156408760	156408770	156408780	156408790	156408800	156408810	156408820
11	Shaft	165045781	165045791	165045801	165045811	165045821	165045831	165045841	165045851
31	Tie rods kit SVG	KL22AA5	KL22AA6	KL22AA7	KL22AA8	KL22AAH	KL22AA9	KL22ABA	KL22ABB

### Motor, Coupling, Motor Adaptor

**1	kW ->	1,1	2,2	3,0	4,0	5,5	7,5
	Mot. 4P, 3~ ->	50005RD00	50010RD00	50011RD00	50015VD00	50020VB00	50021VB00
2	Adaptor	161453600	161453620	161453620	161453620	161453640	161453640
23	Lifting bracket	-	-	-	-	161441050	161441050
26	Coupling	KL10AAA	KL10AAB	KL10AAB	KL10AAB	KL10AAC	KL10AAC
27	Coupling guard	KL33AAA	KL33AAA	KL33AAA	KL33AAA	KL33AAB	KL33AAB

### Wear parts, pump body

	-> 92SV3	-> 92SV6	-> 92SV8
impeller stop, impeller locking	1 bearing no drum	2 bearing no drum	3 bearing no drum
*34 Wear parts Kit	KL35ABR	KL35ABS	KL35ABU
14 Pump body PN16	151351080	151351080	151351080
29 Impeller locking	KL41AAG	KL41AAG	KL41AAG

### Mechanical seal D22 + OR

*20	Materials ->	Q1BEGG	KL01AC0	STD -> Q1BEGG - OR EPDM
		Q1Q1EGG	KL01AC1	
		Q1BVGG	KL01AC2	
		Q1Q1VGG	KL01AC3	
		Q1CTGG	KL01AC5	
		Q1Q1TGG	KL01AC6	

### Common, Single Unit and Kit

4	Plugs	EPDM	KL34AAF	
		FPM	KL34AAG	
		FEP	KL34AAH	
5	Seal housing plate		160150260	
6	Upper head		161453760	
7	Spring		169100210	
8	Reduced impeller		150702850	
9	Full impeller		150702770	
15	Diffuser carbon bush		152801831	304 SS
16	Last stage diffuser		152801751	304 SS
*21	OR	EPDM	KL02AAC	
		FPM	KL02AAF	
		FEP	KL02AA9	
30	Bush seal		KL41AAH	
32	Support tungsten bush SVG		KL16AAD	
*33	Diffuser tungsten bush		KL05AC9	From 92SV4, included
	Diffuser box empty		152801970	66-92SV 2-4 pole

\* Recommended spare parts - Parti di ricambio consigliate

\* Pièces détachées conseillées - Empfohlene Ersatzteile

\*\* Motor spare parts: see motor lists - Parti di ricambio motore: vedi liste motore

\*\* Pièces détachées Moteur : voir listes moteur - Motor-Ersatzteile: gem. Motorlisten

3392SV\_G\_5\_June11\_EdB