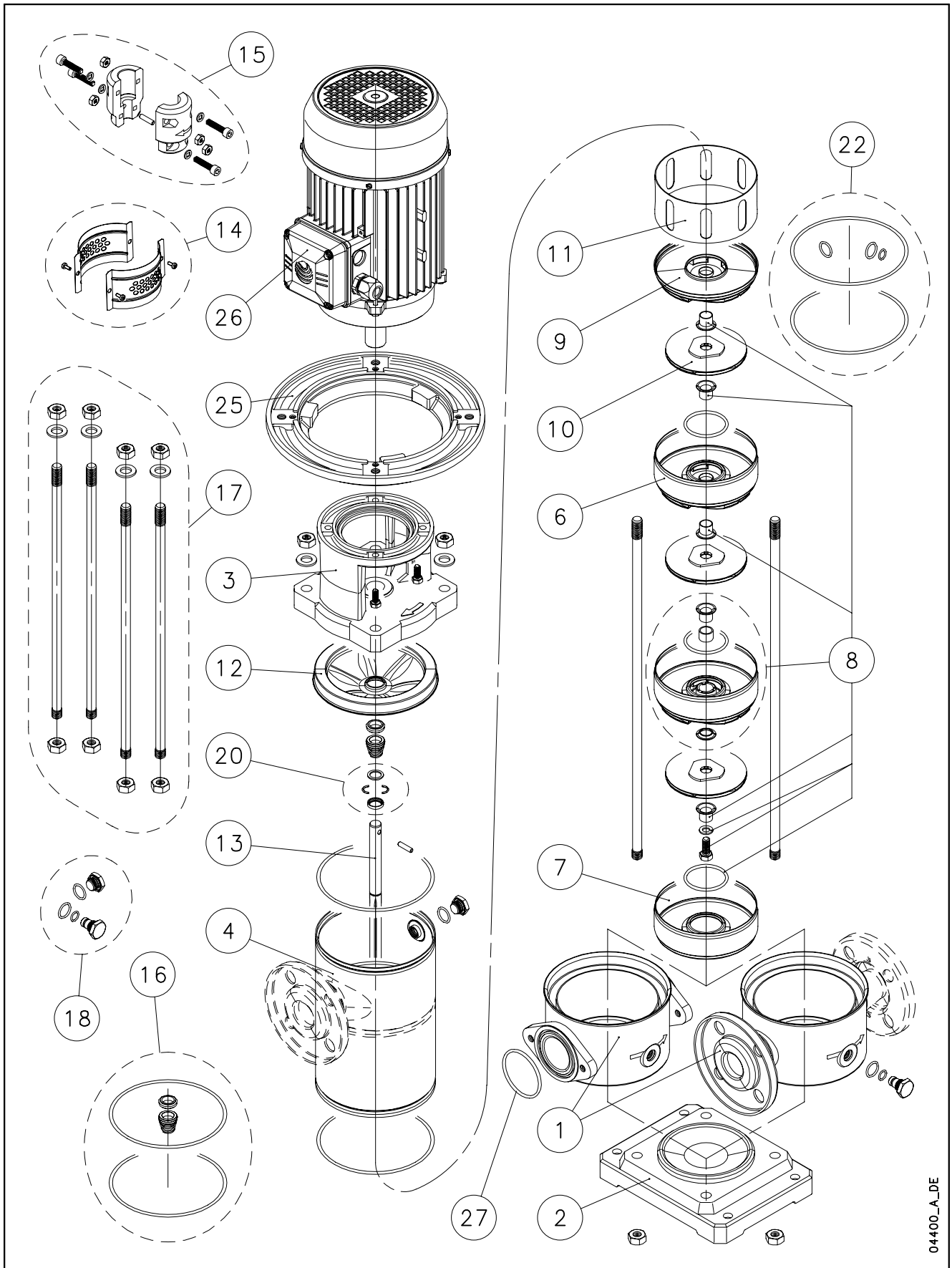


SV2-16 / PX2-16 / GSV2-16 / VR2-16 / 25-50CLM



04400_A_DE

Lowara, Flygt and Vogel Pumpen are a trademark of Xylem Inc. or one of its subsidiaries. Goulds is a registered trademark of Goulds Pumps, Inc. and is used under license.

N.	Descrizione It	Description en	Description fr	Beschreibung de	Descripción es	Descrição pt
1	Corpo pompa	Pump body	Corps de pompe	Pumpengehäuse	Caja bomba	Corpo da bomba
2	Base	Basement	Base	Fuß	Base	Base
3	Lanterna	Adaptor	Lanterne	Motorlaterne	Adaptador	Adaptador
4	Camicia	Sleeve	Chemise	Gehäuse	Camisa	Camisa
6	Diffusore	Diffuser	Diffuseur	Diffusor	Difusor	Difusor
7	Scatola stadio iniziale	Initial stage box	Box premier étage	Erste Stufe Diffusor	Caja etapa initial	Carcaça primeira célula
8	Kit parti di usura	Wear parts kit	Kit parties d'usure	Verschleißteile [Satz]	Kit piezas de desgaste	Kit peças desgastáveis
9	Diffusore finale	Last stage diffuser	Diffuseur dernier étage	Enddiffusor	Difusor final	Difusor final
10	Girante	Impeller	Roue	Lauftrad	Rodete	Impulsor
11	Distanziale finale	Last stage spacer	Entretoise dernier étage	End Distanzstück	Espaciador final	Distancial final
12	Disco porta tenuta	Seal housing plate	Disque de support garniture	Dichtungsdeckel	Disco de alojamiento sello	Disco porta-vedante
13	Albero	Shaft	Arbre	Welle	Árbol	Veio
14	Kit protezione giunto	Coupling guard kit	Kit protection manchon	Kupplungsschutz [Satz]	Kit protección junta	Kit protecção junta
15	Kit coppia di semigiunti	Pair of half coupling kit	Kit paire de demi-manchons	Kupplung [Satz]	Kit par de semijuntas	Kit par de semi-juntas
16	Kit tenuta meccanica + OR	Mechanical seal + OR kit	Kit garniture mec. + joints toriques	Gleitringdichtung + O-Ring [Satz]	Kit sello mec. + junta tórica	Kit vedante mec. + OR
17	Kit tiranti	Tie rods kit	Kit tirants	Zugstangen [Satz]	Kit tirantes	Kit tirantes
18	Tappi	Plugs	Bouchons	Stopfen	Tapones	Tampões
20	Kit arresto giranti	Impellers stop kit	Kit arrêt roues	Lauftrad halt [Satz]	Kit parada de rodetes	Kit paragem impulsores
22	Kit guarnizioni OR	O ring kit	Kit joints toriques	Dichtungssatz	Kit juntas tóricas	Kit guarnições OR
25	Flangia motore	Motor flange	Bride moteur	Motorflansch	Brida motor	Flange motor
26	Motore	Motor	Moteur	Motor	Motor	Motor
27	OR flange ovali	Oval flanges OR	Joints toriques brides ovales	Ovale Flansch O-Ring	Aro tórico bridas ovales	OR flanges ovais
N.	Descrizione nl	Περιγραφή el	Açıklama tr	Kuvaus fi	Описание ru	Opis pl
1	Pomphuis	Σώμα αντλίας	Pompa gövdesi	Pumpun runko	Корпус насоса	Korpus pompy
2	Pompvoet	Βάση	Kaide	Perusta	Основание	Podstawa
3	Lantaarnstuk	Μπρακέτο	Adaptör	Sovitina	Крестовина	Piasta
4	Mantel	Κέλυφος	Gömlek	Muhvi	Муфта	Plaszcz
6	Diffusor	Πτερύγιο εκτροπής	Difüzör	Diffuusori	Диффузор	Dyfuzor
7	Kast eerste trap	Πρώτο πτερύγιο εκτροπής	İlk kademe kutusu	Ensivaiheen laatikko	Коробка начальной стадии	Skrzynka początkowego stadium
8	Set slijtonderdelen	Σετ δακτυλίων τριβής	Aşınma parçaları kiti	Kulumisiosien sarja	Комплект изнашиваемых частей	Zestaw części podl. zużyciu
9	Diffusor laatste trap	Τελευταίο πτερύγιο εκτροπής	Son difüzör	Loppuvaiheen diffuusori	Конечный диффузор	Dyfuzor końcowy
10	Waaier	Πτερύγιο	Pompa çarkı	Juoksupyörä	Рабочее колесо	Wirnik
11	Afstandsstuk laatste trap	Τελικός αποστάτης	Son ara halkası	Loppuvaiheen välilevy	Конечная распорная деталь	Końcowa część dystansowa
12	Dichtingssteenplaat	Δίσκος μηχανικού στυπιοθλιπτη	Sızdırmazlık elemanı diskisi	Tiivisteen kannatuslevy	Пластина держателя прокладки	Tarcza uszczelki
13	As	Άξονας	Mil	Akseli	Вал	Wał
14	Set koppelingsbescherming	Καλύμματα προστασίας σταθερού συνδέσμου	Manşon koruma kiti	Liitoksen suojuussarja	Комплект защиты муфт	Zestaw ochronny złącza
15	Set koppelingshelften	Σετ σταθερού συνδέσμου	Çift yarım manşon kiti	Liitinsarja	Комплект пары полумуфт	Zestaw pary półzłączy
16	Set mech. asafdichting + O-ring	Μηχανικός στυπιοθλιπτης και ροδέλες στεγανοποίησης	Mekanik salmastra kiti + O-Ring	Mek. tiiviste + O-rengassarja	Комплект мех.прокладки + OR	Zestaw uszcz.mech. + OR
17	Set trekstangen	Σετ ράβδων σύνδεσης	Gergi çubuğu kiti	Vetotankosarja	Комплект тяг	Zestaw napinaczy
18	Pluggen	Σετ ταπών	Tapalar	Tulpat	Пробки	Zatyczki
20	Waaierstopset	Σετ ασφάλισης πτερυγίων	Pompa çarklarını durdurma kiti	Juoksupyörien pysäytyssarja	Комплект останова рабочих колес	Zestaw do zatrzymywania wirników
22	Set O-ringafdichtingen	Σετ ροδέλες στεγανοποίησης	O-Ring kiti	O-rengassarja	Комплект кольцевых прокладок OR	Zestaw uszczeliek OR
25	Motorflens	Μπρακέτο κινητήρα	Motor flanşı	Moottorin laippa	Фланец двигателя	Kołnierz silnika
26	Motor	Πλήρης κινητήρας	Motor	Moottori	Двигатель	Silnik
27	O-ring ovale flenzen	Ροδέλες στεγανοποίησης οβάλ φλαντζών	Oval flanş O-Ringi	Soikeiden vastalappojen O-renkaat	Кольцевые прокладки OR овальных фланцев	Pierścienie OR kołnierzy owalnych

SV2 F-T-R/P 2 Pole

Production date >Feb2008

ELP 2 P		SV202F03	SV203F03	SV204F05	SV205F07	SV206F07	SV207F11	SV208F11	SV209F11	SV211F15	SV212F15
F Version	1 ~ >	107390271	107390281	107390291	107390301	107390311	107390321	107390331	107390341	107390361	107390371
	3 ~ >	107390021	107390031	107390041	107390051	107390061	107390071	107390081	107390091	107390111	107390121
		SV214F22	SV216F22	SV218F22	SV220F30	SV222F30	SV224F30				
T Version	1 ~ >	101500391	101500411	101500431							
	3 ~ >	107390141	107390161	107390181	101500201	101500221	101500241				
		SV202T03	SV203T03	SV204T05	SV205T07	SV206T07	SV207T11	SV208T11	SV209T11	SV211T15	SV212T15
R Version	1 ~ >	107390270	107390280	107390290	107390300	107390310	107390320	107390330	107390340	107390360	107390370
	3 ~ >	107390020	107390030	107390040	107390050	107390060	107390070	107390080	107390090	107390110	107390120
		SV214T22									
Motor power kW >	1 ~ >	101500390									
	3 ~ >	107390140									
		SV204R05	SV205R07	SV206R07	SV207R11	SV208R11	SV209R11	SV211R15	SV212R15		
Stages number	1 ~ >			107390293	107390303	107390313	107390323	107390333	107390343	107390363	107390373
	3 ~ >	107390043	107390053	107390063	107390073	107390083	107390093	107390113	107390123	107390143	107390163
		SV214R22	SV216R22	SV218R22	SV220R30	SV222R30	SV224R30				
Motor power kW >	1 ~ >	101500393	101500413	101500433							
	3 ~ >	107390143	107390163	107390183	101500203	101500223	101500243				
		0,37	0,37	0,55	0,75	0,75	1,1	1,1	1,1	1,5	1,5
Stages number	1 ~ >	2	3	4	5	6	7	8	9	11	12
	3 ~ >	14	16	18	20	22	24				

Single Unit and Kit

4	Sleeve F-T	156403500	156403510	156403520	156403530	156403540	156403550	156403560	156403570	156403590	156403600
	Sleeve R	156403620	156403640	156403660	156403680	156403700	156403720				
13	Shaft 304 S.S.	156404720	156404740	156404760	156404780	156404800	156404820				
		165041600	165041610	165041620	165041630	165041640	165041650	165041660	165041670	165041690	165041700
17	Tie rods SVF kit	KL22ABL	KL22ABM	KL22ABN	KL22ABP	KL22ABQ	KL22ABR	KL22ABS	KL22ABT	KL22ABU	KL22ABV
		KL22ABX	KL22ABZ	KL22AB0	KL22AB1	KL22AB2	KL22AB3				
Pump stack SV2F EPDM		102997701	102997711	102997721	102997731	102997741	102997751	102997761	102997771	102997781	102997791
		102997811	102997831	102997841	102997851	102997861	102997871				

Mechanical seal Kit

*16	Materials ->	Q1BEGG	Q1Q1EGG	Q1BVGG	Q1Q1VGG	Q1CTGG	Q1Q1TGG	Std -> Seal Q1BEGG - OR EPDM
	Mech seal D12 + sleeve OR	KL01AAD	KL01AC7	KL01AAG	KL01AC9	KL01ADB	KL01ADD	

Wear Parts kit

up to model (- >)	-> SV208	-> SV216	-> SV220	-> SV224
*8	1 bearing	2 bearing	3 bearing	4 bearing
	Wear parts incl. OR, EPDM	KL35AAP	KL35AAQ	KL35AAR
	Wear parts incl. OR, FPM	KL35AAZ	KL35AA0	KL35AA1
	Wear parts incl. OR, FEP	KL35AAC	KL35AAD	KL35AAE

Common, Single Unit and kit

1	Pump body incl. sleeve spacer	151301200	-> SV2-4 T
		151301210	-> SV2F
		151301370	-> SV2R
2	Base	161430320	-> SV2-4 T
		161430330	
6	Diffuser	152800860	
7	First stage box	152801020	
9	Last stage diffuser	152800960	
*10	Impeller SVF	150702100	Example. SV207T11M = SV2, 7 Stages, 1,1 kW, 1 ~
11	Last stage spacer	162502240	
12	Seal housing disc	160101260	
18	Plugs	EPDM	KL34AAK
		FPM	KL34AAL
		FEP	KL34AAM
20	Impellers retainer	KL41AAV	
*22	OR	EPDM	KL02AA1
		FPM	KL02AA2
		FEP	KL02AA3
25	Motor flange	-	
27	Oval flange OR, EPDM	002221866	
		002222623	->SV2-4 T

Motor, Coupling, Motor adaptor

**26	kW >	0,37	0,55	0,75	1,1	1,5	2,2	3,0
Motor 2P, 1 ~ >		107230020	107230040	107230100	107230120	107230180	50004HD00	
	Motor 2P, 3 ~ >	107230060	107230080	107230140	107230160	107230200	107230220	50002RF00
3	Adaptor	161452701	161452701	161452711	161452711	161452721	161452721	161452731
14	Coupling guard	KL33AAD	KL33AAD	KL33AAE	KL33AAE	KL33AAF	KL33AAF	KL33AAG
15	Coupling	KL10ABC	KL10ABC	KL10ABD	KL10ABD	KL10ABE	KL10ABE	KL10ABF

* Recommended spare parts

** Motor spare parts: see motor lists

SV2-16F_5_P_Feb08_EdD

SV2F/P 4 Pole

ELP 4 P, 3 ~										
F Version	SV203F024	SV206F024	SV209F024	SV212F024	SV214F024	SV216F024	SV218F034	SV220F034	SV222F034	SV224F034
3 ~ >	107391501	107391511	107391521	107391531	107391541	107391551	107391561	107391571	107391581	107391591
Motor power kW>	0,25	0,25	0,25	0,25	0,25	0,25	0,37	0,37	0,37	0,37
Stages number	3	6	9	12	14	16	18	20	22	24

Single Unit and Kit

4	Sleeve	156403510	156403540	156403570	156403600	156403620	156403640	156403660	156403680	156403700	156403720
13	Shaft 304 S. S.	165041610	165041640	165041670	165041700	165041720	165041740	165041760	165041780	165041800	165041800
17	Tie rods SVF kit	KL22ABM	KL22ABQ	KL22ABT	KL22ABV	KL22ABX	KL22ABZ	KL22AB0	KL22AB1	KL22AB2	KL22AB3
Pump stack SV2F EPDM		102997711	102997741	102997771	102997791	102997811	102997831	102997841	102997851	102997861	102997871

Mechanical seal Kit

*16	Materials ->	Q1BEGG	Q1Q1EGG	Q1BVGG	Q1Q1VGG	Q1CTGG	Q1Q1TGG	Std -> Seal Q1 BEGG - OR EPDM
	Mech seal D12 + sleeve OR	KL01AAD	KL01AC7	KL01AAG	KL01AC9	KL01ADB	KL01ADD	

Wear Parts kit

up to model (- >)		- > SV208	- > SV216	- > SV220	- > SV224
		1 bearing	2 bearing	3 bearing	4 bearing
*8	Wear parts incl. OR, EPDM	KL35AAP	KL35AAQ	KL35AAR	KL35AAS
	Wear parts incl. OR, FPM	KL35AAZ	KL35AA0	KL35AA1	KL35AA2
	Wear parts incl. OR, FEP	KL35AAC	KL35AAD	KL35AAE	KL35AAF

Common, Single Unit and kit

1	Pump body incl. sleeve spacer	151301210	-> SV2F
2	Base	161430330	
3	Adaptor	161452701	
6	Diffuser	152800860	
7	First stage box	152801020	
9	Last stage diffuser	152800960	
*10	Impeller SVF	150702100	Example. SV209F024 = SV2, 9 Stages, 0,25 kW, 4 Pole
11	Last stage spacer	162502240	
12	Seal housing disc	160101260	
18	Plugs	EPDM	KL34AAK
		FPM	KL34AAL
		FEP	KL34AAM
20	Impellers retainer	KL41AAV	
*22	OR	EPDM	KL02AA1
		FPM	KL02AA2
		FEP	KL02AA3
			All Versions, wear OR not included
25	Motor flange	-	

Motor, Coupling, Motor Adaptor

**26	kW >	0,25 kW	0,37 kW
	Motor 4P, 3 ~ >	107230640	107230700
3	Adaptor	161452701	161452701
14	Coupling guard	KL33AAD	KL33AAD
15	Coupling	KL10ABC	KL10ABC

Parts SV2-4 with less impellers

-> both SV2 el.pumps 2 - 4 Pole

	Spacer in place of impeller	162502440
	Last stage diffuser flange	161002510

* Recommended spare parts - Parti di ricambio consigliate

* Pièces détachées conseillées - Empfohlene Ersatzteile

** Motor spare parts: see motor lists - Parti di ricambio motore: vedi liste motore

** Pièces détachées Moteur : voir listes moteur - Motor-Ersatzteile: gem. Motorlisten

SV2-16F_5_P_Feb08_EdD

SV4F-T-R/P 2 Pole

ELP 2 P											
F Version		SV402F03	SV403F05	SV404F07	SV405F11	SV406F11	SV407F11	SV408F15	SV409F15	SV411F22	SV413F22
1 ~ >		107390771	107390781	107390791	107390801	107390811	107390821	107390831	107390841	101500861	101500881
3 ~ >		107390521	107390531	107390541	107390551	107390561	107390571	107390581	107390591	107390611	107390631
3 ~ >		SV414F30	SV416F30	SV418F30	SV420F40	SV422F40	SV424F40				
3 ~ >		101500641	101500661	101500681	101500701	101500721	101500741				
T Version		SV402T03	SV403T05	SV404T07	SV405T11	SV406T11	SV407T11	SV408T15	SV409T15	SV411T22	SV413T22
1 ~ >		107390770	107390780	107390790	107390800	107390810	107390820	107390830	107390840	101500860	101500880
3 ~ >		107390520	107390530	107390540	107390550	107390560	107390570	107390580	107390590	107390610	107390630
3 ~ >		SV414T30									
3 ~ >		101500640									
R Version					SV405R11	SV406R11	SV407R11	SV408R15	SV409R15	SV411R22	SV413R22
1 ~ >					107390803	107390813	107390823	107390833	107390843	101500863	101500883
3 ~ >					107390553	107390563	107390573	107390583	107390593	107390613	107390633
3 ~ >		SV414R30	SV416R30	SV418R30	SV420R40	SV422R40	SV424R40				
3 ~ >		101500643	101500663	101500683	101500703	101500723	101500743				
Motor power		0,37	0,55	0,75	1,1	1,1	1,1	1,5	1,5	2,2	2,2
kw - >		3,0	3,0	3,0	4,0	4,0	4,0				
Stages number		2	3	4	5	6	7	8	9	11	13
		14	16	18	20	22	24				

Single Unit and Kit

4	Sleeve T-F	156403500	156403510	156403520	156403530	156403540	156403550	156403560	156403570	156403590	156403610
	Sleeve R	156403620	156403640	156403660	156403680	156403700	156403720				
13	Shaft 304 S. S.	165041600	165041610	165041620	165041630	165041640	165041650	165041660	165041670	165041690	165041710
		165041720	165041740	165041760	165041780	165041790	165041800				
17	Tie rods SVF Kit	KL22ABL	KL22ABM	KL22ABN	KL22ABP	KL22ABQ	KL22ABR	KL22ABS	KL22ABT	KL22ABU	KL22ABW
		KL22ABX	KL22ABZ	KL22AB0	KL22AB1	KL22AB2	KL22AB3				
Pump stack SV4F EPDM		102997901	102997911	102997921	102997931	102997941	102997951	102997961	102997971	102997981	102998001
		102998011	102998031	102998041	102998051	102998061	102998071				

Mechanical seal Kit

*16	Mech seal D12 + sleeve OR	Materials ->	Q1BEGG	Q1Q1EGG	Q1BVGG	Q1Q1VGG	Q1CTGG	Q1Q1TGG	Std -> Seal Q1BEGG - OR EPDM
			KL01AAD	KL01AC7	KL01AAG	KL01AC9	KL01ADB	KL01ADD	

Wear Parts Kit

up to model (- >)		- > SV408	- > SV416	- > SV420	- > SV424
		1 bearing	2 bearing	3 bearing	4 bearing
* 8	Wear parts incl. OR, EPDM	KL35AAP	KL35AAQ	KL35AAR	KL35AAS
	Wear parts incl. OR, FPM	KL35AAZ	KL35AA0	KL35AA1	KL35AA2
	Wear parts incl. OR, FEP	KL35AAC	KL35AAD	KL35AAE	KL35AAF

Common, Single Unit and Kit

1	Pump body incl. sleeve spacer	151301200	
		151301220	-> SV4F
		151301380	-> SV4 R
2	Base	161430320	-> SV2-4 T
		161430330	
6	Diffuser	152800860	
7	First stage box	152801020	
9	Last stage diffuser	152800960	
*10	Impeller SVF	150702110	Example. SV407T22M = SV4, 7 Stages, 2,2 kW, 1 ~
11	Last stage spacer	162502240	
12	Seal housing disc	160101260	
18	Plugs	EPDM	KL34AAK
		FPM	KL34AAL
		FEP	KL34AAM
20	Impellers retainer	KL41AAV	
*22	OR	EPDM	KL02AA1
		FPM	KL02AA2
		FEP	KL02AA3
		All Versions, wear OR not included	
25	Motor flange	-	
27	Oval flange OR, EPDM	002221866	
		002222623	->SV2-4 T

Motor, Coupling, Motor Adaptor

**26	kw >	0,37	0,55	0,75	1,1	1,5	2,2	3,0	4,0
	Motor 2P, 1 ~ >	107230020	107230040	107230100	107230120	107230180	50004HD00		
	Motor 2P, 3 ~ >	107230060	107230080	107230140	107230160	107230200	107230220	50002RF00	50008VG00
3	Adaptor	161452701	161452701	161452711	161452711	161452721	161452721	161452731	161452731
14	Coupling guard	KL33AAD	KL33AAD	KL33AAE	KL33AAE	KL33AAF	KL33AAF	KL33AAG	KL33AAG
15	Coupling	KL10ABC	KL10ABC	KL10ABD	KL10ABD	KL10ABE	KL10ABE	KL10ABF	KL10ABF

* Recommended spare parts

** Motor spare parts: see motor lists

SV2-16F 5 P Feb08 EdD

SV4F/P 4 Pole

ELP 4 P, 3 ~										
F Version 3 ~ >	SV403F024	SV406F024	SV409F024	SV412F024	SV414F034	SV416F034	SV418F034	SV420F054	SV422F054	SV424F054
	107391621	107391631	107391641	107391651	107391661	107391671	107391681	107391691	107391701	107391711
Mot. power, kW >	0,25	0,25	0,25	0,25	0,37	0,37	0,37	0,55	0,55	0,55
Stages number	3	6	9	12	14	16	18	20	22	24

Single Unit

4	Sleeve SV F	156403510	156403540	156403570	156403600	156403620	156403640	156403660	156403680	156403700	156403720
13	Shaft 304 S. S.	165041610	165041640	165041670	165041700	165041720	165041740	165041760	165041780	165041790	165041800
17	Tie rods SVF Kit	KL22ABM	KL22ABQ	KL22ABT	KL22ABV	KL22ABX	KL22ABZ	KL22AB0	KL22AB1	KL22AB2	KL22AB3
Pump stack SV4F EPDM		102997911	102997941	102997971	TBD	102998011	102998031	102998041	102998051	102998061	102998071

Mechanical seal Kit

*16	Materials ->	Q1BEGG	Q1Q1EGG	Q1BVG	Q1Q1VGG	Q1CTGG	Q1Q1TGG	Std -> Seal Q1BEGG - OR EPDM			
	Mech seal D12 + sleeve OR	KL01AAD	KL01AC7	KL01AAG	KL01AC9	KL01ADB	KL01ADD				

Wear Parts Kit

up to model (- >)		- > SV408	- > SV416	- > SV420	- > SV424
		1 bearing	2 bearing	3 bearing	4 bearing
*8	Wear parts incl. OR, EPDM	KL35AAP	KL35AAQ	KL35AAR	KL35AAS
	Wear parts incl. OR, FPM	KL35AAZ	KL35AA0	KL35AA1	KL35AA2
	Wear parts incl. OR, FEP	KL35AAC	KL35AAD	KL35AAE	KL35AAF

Common, Single Unit and Kit

1	Pump body incl. sleeve spacer	151301220	-> SV4F
2	Base	161430330	
6	Diffuser	152800860	
7	First stage box	152801020	
9	Last stage diffuser	152800960	
*10	Impeller SVF	150702110	Example. SV409F024 = SV4, 9 Stages, 0,25 kW, 4 Pole
11	Last stage spacer	162502240	
12	Seal housing disc	160101260	
18	Plugs	EPDM	KL34AAK
		FPM	KL34AAL
		FEP	KL34AAM
20	Impellers retainer	KL41AAV	
*22	OR	EPDM	KL02AA1
		FPM	KL02AA2
		FEP	KL02AA3
			All Versions, wear OR not included
25	Motor flange	-	

Motor, Coupling, Motor Adaptor

**26	kW >	0,25	0,37	0,55
	Motor 4P, 3 ~ >	107230640	107230700	107230760
3	Adaptor	161452701	161452701	161452711
14	Coupling guard	KL33AAD	KL33AAD	KL33AAE
15	Coupling	KL10ABC	KL10ABC	KL10ABD

Parts SV2-4 with less impellers

-> both SV4 el.pumps 2 - 4 Pole

	Spacer in place of impeller	162502440
	Last stage diffuser flange	161002510

* Recommended spare parts - Parti di ricambio consigliate

* Pièces détachées conseillées - Empfohlene Ersatzteile

** Motor spare parts: see motor lists - Parti di ricambio motore: vedi liste motore

** Pièces détachées Moteur : voir listes moteur - Motor-Ersatzteile: gem. Motorlisten

SV8F-T-R/P 2 Pole

ELP 2P		SV802F11	SV803F15	SV804F22	SV805F22	SV806F30	SV808F40	SV809F40	SV811F55	SV812F55	SV814F75
F Version	1 ~>	107391221	107391231	101501241	101501251						
	3 ~>	107391021	107391031	107391041	107391051	101501061	101501081	101501091	101501111	101501121	101501141
		SV816F75									
	3 ~>	101501161									
T Version		SV802T11	SV803T15	SV804T22	SV805T22	SV806T30	SV808T40	SV809T40	SV811T55		
	1 ~>	107391220	107391230	101501240	101501250						
	3 ~>	107391020	107391030	107391040	107391050	101501060	101501080	101501090	101501110		
		SV803R15	SV804R22	SV805R22		SV806R30	SV808R40	SV809R40	SV811R55	SV812R55	SV814R75
R Version	1 ~>		107391233	101501243	101501253						
	3 ~>		107391033	107391043	107391053	101501063	101501083	101501093	101501113	101501123	101501143
		SV816R75									
	3 ~>	101501163									
Motor power kW >	1,1	1,5	2,2	2,2	3,0	4,0	4,0	5,5	5,5	7,5	
Stages number	2	3	4	5	6	8	9	11	12	14	
	16										

Single Unit and Kit

4	Sleeve T F	156403960	156403970	156403980	156403990	156404000	156404020	156404030	156404050	156404060	156404080
		156404100									
	Sleeve R		156405130	156405140	156405150	156405160	156405180	156405190	156405210	156405220	156405240
		156405260									
13	Shaft 304 S. S.	165042040	165042050	165042060	165042070	165042080	165042100	165042110	165042130	165042140	165042160
		165042180									
17	Tie rods SVF Kit	KL22AB4	KL22AB5	KL22AB6	KL22AB7	KL22AB8	KL22ACA	KL22ACB	KL22ACD	KL22ACE	KL22ACG
		KL22ACK									
Pump stack SV8F EPDM		102998101	102998111	102998121	102998131	102998141	102998161	102998171	102998191	102998201	102998221
		102998241									

Mechanical seal Kit

*16	Materials->	Q1BEGG	Q1Q1EGG	Q1BVGG	Q1Q1VGG	Q1CTGG	Q1Q1TGG	Std -> Seal Q1BEGG - OR EPDM
	Mech seal D16 + sleeve OR	KL01AAE	KL01AC8	KL01AAH	KL01ADA	KL01ADC	KL01ADE	

Wear Parts Kit

up to model (- >)		->SV807	->SV812	->SV816
		1 bearing	2 bearing	3 bearing
*8	Wear parts incl. OR, EPDM	KL35AAT	KL35AAU	KL35AAV
	Wear parts incl. OR, FPM	KL35AA3	KL35AA4	KL35AA5
	Wear parts incl. OR, FEP	KL35AAG	KL35AAH	KL35AAK

Common, Single Unit and Kit

1	Pump body incl. sleeve spacer	151301240	-> SV 8T
		151301250	-> SV8F
		151301410	-> SV 8R
2	Base	161430340	
6	Diffuser	152800870	
7	First stage box	152801030	
9	Last stage diffuser	152800970	
10	Impeller SVF	150702120	Example. SV804T22M = SV8, 4 Stages, 2,2 kW, 1~
11	Last stage spacer	162502260	
12	Seal housing disc	160101290	
18	Plugs	EPDM	KL34AAK
		FPM	KL34AAL
		FEP	KL34AAM
20	Impellers retainer	KL41AAW	
*22	OR	EPDM	KL02AA4
		FPM	KL02AA5
		FEP	KL02AA6
			All Versions, wear OR not included
25	Motor flange	-	
27	Oval flange OR, EPDM	002221870	
	Oval flange OR, FPM	002222641	->SV8 T

Motor, Coupling, Motor Adaptor

**26	kW ->	1,1	1,5	2,2	3,0	4,0	5,5	7,5
Motor 2 P, 1 ~>		107230120	107230180	50004HD00				
	Motor 2 P, 3 ~>	107230160	107230200	107230220	50002RF00	50008VG00	50013VE00	50017VB00
3	Adaptor	161452741	161452751	161452751	161452761	161452761	161452771	161452771
14	Coupling guard	KL33AAH	KL33AAG	KL33AAG	KL33AAK	KL33AAK	KL33AAL	KL33AAL
15	Coupling	KL10ABG	KL10ABH	KL10ABH	KL10ABK	KL10ABK	KL10ABL	KL10ABL

* Recommended spare parts

** Motor spare parts: see motor lists

SV2-16F 5 P Feb08 EdD

SV8F/P 4 Pole

ELP 4P, 3 ~								
F Version	SV804F054	SV806F054	SV808F054	SV810F054	SV812F074	SV814F074	SV815F114	SV816F114
3 ~>	107391741	107391751	107391761	107391771	107391781	107391791	101502571	101502581
Mot.power, kW >	0,55	0,55	0,55	0,55	0,75	0,75	1,1	1,1
Stages number	4	6	8	10	12	14	15	16

Single Unit and Kit

4	Sleeve SVF	156403980	156404000	156404020	156404040	156404060	156404080	156404090	156404100
13	Shaft 304 S. S.	165042060	165042080	165042100	165042120	165042140	165042160	165042170	165042180
17	Tie rods SV8F Kit	KL22AB6	KL22AB8	KL22ACA	KL22ACC	KL22ACE	KL22ACG	KL22ACH	KL22ACK
Pump stack SV8F EPDM		102998121	102998141	102998161	102998181	102998201	102998221	102998231	102998241

Mechanical seal Kit

*16	Mech seal D16 + sleeve OR	Materials-> KL01AAE	Q1BEGG KL01AC8	Q1Q1EGG KL01AC8	Q1BVGG KL01AAH	Q1Q1VGG KL01ADA	Q1CTGG KL01ADC	Q1Q1TGG KL01ADE	Std -> Seal Q1BEGG - OR EPDM
-----	---------------------------	------------------------	-------------------	--------------------	-------------------	--------------------	-------------------	--------------------	------------------------------

Wear Parts Kit

up to model (->)		->SV807 1 bearing	->SV812 2 bearing	->SV816 3 bearing
*8	Wear parts incl. OR, EPDM	KL35AAT	KL35AAU	KL35AAV
	Wear parts incl. OR, FPM	KL35AA3	KL35AA4	KL35AA5
	Wear parts incl. OR, FEP	KL35AAG	KL35AAH	KL35AAK

Common, Single Unit and Kit

1	Pump body incl. sleeve spacer	151301250	-> SV8F
2	Base	161430340	-> SV8
6	Diffuser	152800870	
7	First stage box	152801030	-> SV8
9	Last stage diffuser	152800970	
*10	Impeller SVF	150702120	Example. SV804F054 = SV8, 4 Stages, 0,55 kW, 4 Pole
11	Last stage spacer	162502260	
12	Seal housing disc	160101290	
18	Plugs	EPDM	KL34AAK
		FPM	KL34AAL
		FEP	KL34AAM
20	Impellers retainer	KL41AAW	
*22	OR	EPDM	KL02AA4
		FPM	KL02AA5
		FEP	KL02AA6
			All Versions, wear OR not included
25	Motor flange	-	

Motor, Coupling, Motor Adaptor

**26	kW >	0,55	0,75	1,1
	Motor 4P ->	107230760	107230820	50005RD00
3	Adaptor	161452741	161452741	161452751
14	Coupling guard	KL33AAH	KL33AAH	KL33AAG
15	Coupling	KL10ABG	KL10ABG	KL10ABH

Parts SV8-16 with less impellers

-> both SV8 el.pumps 2-4 Pole

	Spacer in place of impeller	162502450
	Last stage diffuser flange	161002540

* Recommended spare parts - Parti di ricambio consigliate

* Pièces détachées conseillées - Empfohlene Ersatzteile

** Motor spare parts: see motor lists - Parti di ricambio motore: vedi liste motore

** Pièces détachées Moteur : voir listes moteur - Motor-Ersatzteile: gem. Motorlisten

SV2-16F_5_P_Feb08_EdD

SV16F-R/P 2 Pole

ELP 2P											
F Version	SV1602F22	SV1603F30	SV1604F40	SV1605F55	SV1606F55	SV1607F75	SV1608F75	SV1610F110	SV1612F110	SV1614F150	
	1~>	101501521									
	3~>	107391321	101501331	101501341	101501351	101501361	101501371	101501381	101501401	101501421	101501441
		SV1615F150/P									
	3~>	101501451									
R Version			SV1604R40/P	SV1605R55/P			SV1608R75/P				
			101501343	101501353			101501383				
Motor power	2,2	3,0	4,0	5,5	5,5	7,5	7,5	11,0	11,0	15,0	
kW ->	15,0										
Stages number	2	3	4	5	6	7	8	10	12	14	
	15										

Single Unit and Kit

4	Sleeve T F	156403960	156403970	156403980	156403990	156404000	156404010	156404020	156404040	156404060	156404080
		156404090									
13	Shaft 304 S. S.	165042040	165042050	165042060	165042070	165042080	165042090	165042100	165042120	165042140	165042160
		165042170									
17	Tie rods SVF Kit	KL22AB4	KL22AB5	KL22AB6	KL22AB7	KL22AB8	KL22AB9	KL22ACA	KL22ACC	KL22ACE	KL22ACG
		KL22ACH									
Pump stack SV16F		102998271	102998281	102998291	102998301	102998311	102998321	102998331	102998351	102998371	102998391
EPDM		102998401									

Mechanical Seal Kit

*16	Materials->	Q1BEGG	Q1Q1EGG	Q1BVGG	Q1Q1VGG	Q1CTGG	Q1Q1TGG	Std -> Seal Q1BEGG - OR EPDM			
	Mech seal D16 + sleeve OR	KL01AAE	KL01AC8	KL01AAH	KL01ADA	KL01ADC	KL01ADE				

Wear parts

up to model (- >)		->SV1607	->SV1612	->SV1616
		1 bearing	2 bearing	3 bearing
*8	Wear parts incl. OR, EPDM	KL35AAW	KL35AAX	KL35AAY
	Wear parts incl. OR, FPM	KL35AA6	KL35AA7	KL35AA8
	Wear parts incl. OR, FEP	KL35AAL	KL35AAM	KL35AAN

Single Unit and Kit

1	Pump body incl. sleeve spacer	151301260	-> SV 16 F
		151301410	-> SV 8R
2	Base	161430350	
6	Diffuser	152800880	
7	First stage box	152801040	-> SV16F
9	Last stage diffuser	152800970	
*10	Impeller SVF	150702130	Example. SV1602F22M = SV16, 2 Stages, 2,2kW, 1 ~
11	Last stage spacer	162502260	
12	Seal housing disc	160101290	
18	Plugs	EPDM	KL34AAK
		FPM	KL34AAL
		FEP	KL34AAM
20	Impellers retainer	KL41AAW	
*22	OR	EPDM	KL02AA4
		FPM	KL02AA5
		FEP	KL02AA6
		All Versions, wear OR not included	
25	Motor flange	161050590	Only for 11,0 - 15,0 kW Motors

Motor, Coupling, Motor Adaptor

**26	kW >	2,2	3,0	4,0	5,5	7,5	11,0	15,0
	Motor 2 P, 1~ -->	50004HD00						
	Motor 2 P, 3 ~ -->	107230220	50002RF00	50008VG00	50013VE00	50017VB00	50019VE00	50024VB00
3	Adaptor	161452751	161452761	161452761	161452771	161452771	161452771	161452771
14	Coupling guard	KL33AAH	KL33AAK	KL33AAK	KL33AAL	KL33AAL	KL33AAL	KL33AAL
15	Coupling	KL10ABH	KL10ABK	KL10ABK	KL10ABL	KL10ABL	KL10ABM	KL10ABM

* Recommended spare parts

** Motor spare parts: see motor lists

SV2-16F_5_P_Feb08_EdD

SV16F/P 4 Pole

ELP 4 P,3 ~								
F Version	SV1604F054	SV1606F074	SV1608F114	SV1609F114	SV1611F154	SV1613F154	SV1615F224	SV1616F224
3~>	107391821	107391831	101502661	101502671	101502691	101502711	101502731	101502741
Motor power, kW	4	6	8	9	11	13	15	16
Stages number	0,55	0,75	1,1	1,1	1,5	1,5	2,2	2,2

Single Unit and Kit

4	Sleeve F	156403980	156404000	156404020	156404030	156404050	156404070	156404090	156404100
13	Shaft 304 S. S.	165042060	165042080	165042100	165042110	165042130	165042150	165042170	165042180
17	Tie rods SVF Kit	KL22AB6	KL22AB8	KL22ACA	KL22ACB	KL22ACD	KL22ACF	KL22ACH	KL22ACK
Pump stack SV16F EPDM		102998291	102998311	102998331	102998341	-	-	102998401	-

Mechanical Seal Kit

*16	Materials->	Q1BEGG	Q1Q1EGG	Q1BVGG	Q1Q1VGG	Q1CTGG	Q1Q1TGG	Std -> Seal Q1BEGG - OR EPDM
	Mech seal D16 + sleeve OR	KL01AAE	KL01AC8	KL01AAH	KL01ADA	KL01ADC	KL01ADE	

Wear parts

		->SV1607	->SV1612	->SV1616
up to model (- >)		1 bearing	2 bearing	3 bearing
*8	Wear parts incl. OR, EPDM	KL35AAW	KL35AAX	KL35AAY
	Wear parts incl. OR,FPM	KL35AA6	KL35AA7	KL35AA8
	Wear parts incl. OR, FEP	KL35AAL	KL35AAM	KL35AAN

Common, Single Unit and Kit

1	Pump body incl. sleeve spacer	151301260	-> SV 16F
2	Base	161430350	
6	Diffuser	152800880	
7	First stage box	152801040	-> SV16F
9	Last stage diffuser	152800970	
*10	Impeller SVF	150702130	Example. SV1604F054 = SV16, 4 Stages, 0,55 kW, 4 Pole
11	Last stage spacer	162502260	
12	Seal housing disc	160101290	
18	Plugs	EPDM	KL34AAK
		FPM	KL34AAL
		FEP	KL34AAM
20	Impellers retainer	KL41AAW	
*22	OR	EPDM	KL02AA4
		FPM	KL02AA5
		FEP	KL02AA6
			All Versions, wear OR not included
25	Motor flange	-	

Motor, Coupling, Motor Adaptor

**26	kW >	0,55	0,75	1,1	1,5	2,2
	Motor 4P, 3 ~ ->	107230760	107230820	50005RD00	50006RD00	50010RD00
3	Adaptor	161452741	161452741	161452751	161452761	161452761
14	Coupling guard	KL33AAH	KL33AAH	KL33AAG	KL33AAG	KL33AAK
15	Coupling	KL10ABG	KL10ABG	KL10ABH	KL10ABH	KL10ABK

Parts SV 8-16 with less impellers

-> both SV8-16 el.pumps 2-4 Pole

	Spacer in place of impeller	162502450
	Last stage diffuser flange	161002540

* Recommended spare parts - Parti di ricambio consigliate

* Pièces détachées conseillées - Empfohlene Ersatzteile

** Motor spare parts: see motor lists - Parti di ricambio motore: vedi liste motore

** Pièces détachées Moteur : voir listes moteur - Motor-Ersatzteile: gem. Motorlisten

SV2-16F_5_P_Feb08_EdD