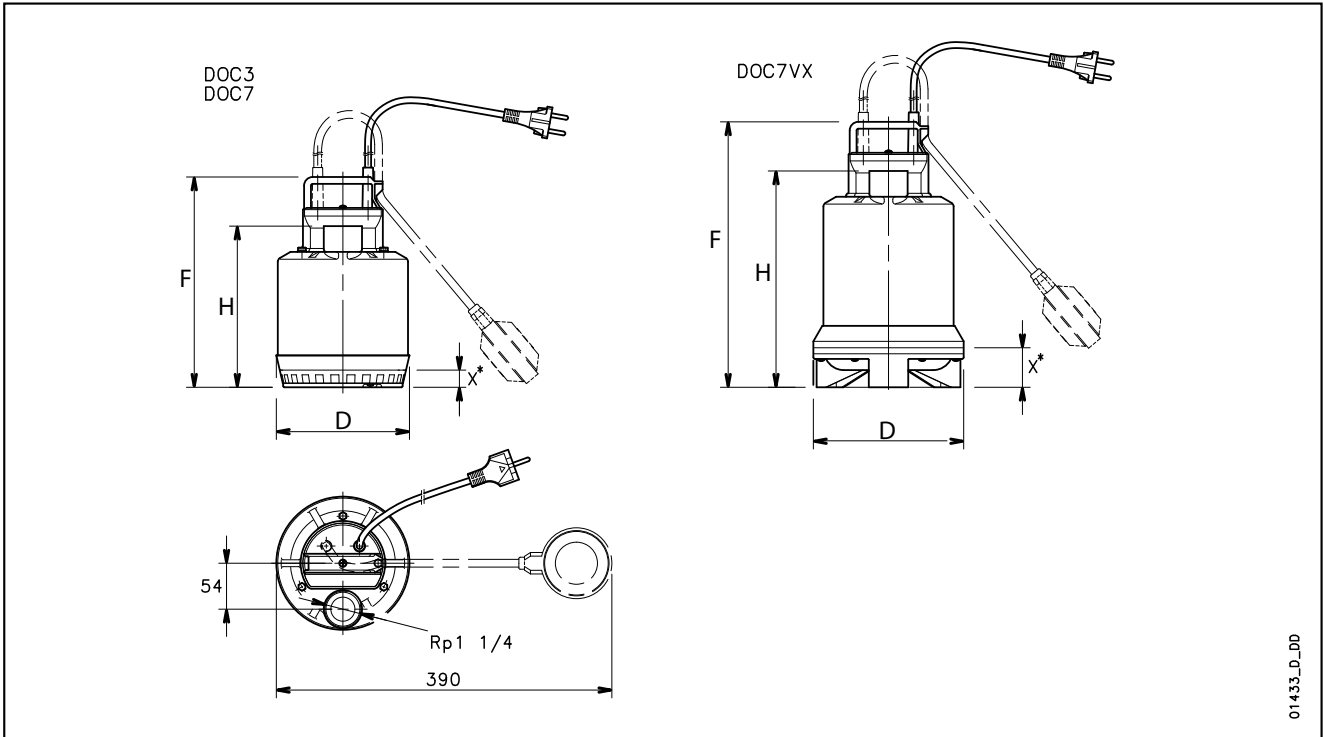


**DOC SERIES
DIMENSIONS AND WEIGHTS**

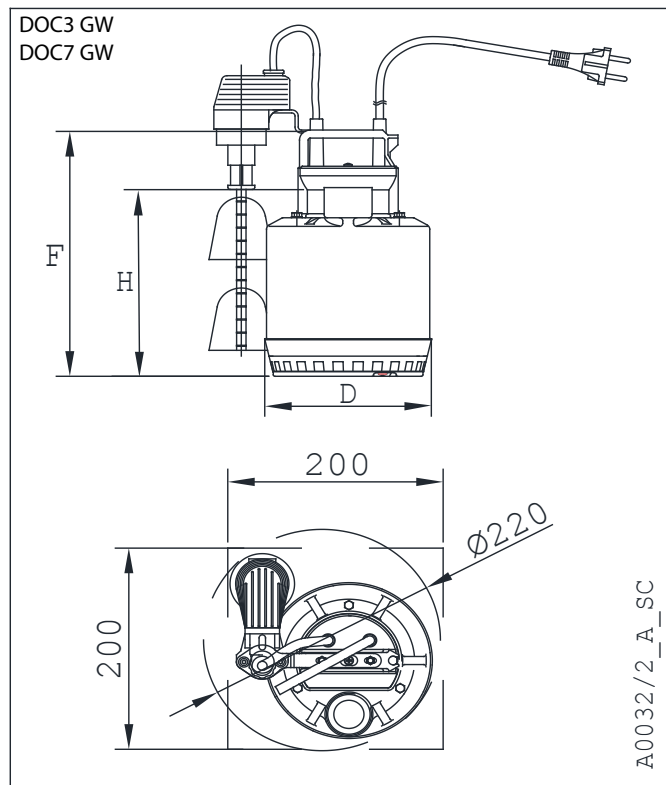


01433_D_DD

PUMP TYPE		DIMENSIONS (mm)				WEIGHT
		F	H	D	X*	kg
DOC3	DOC3 GW	245	188	155	20	4
DOC7	DOC7 GW	285	228	155	20	6
DOC7VX	-	310	252	175	45	6

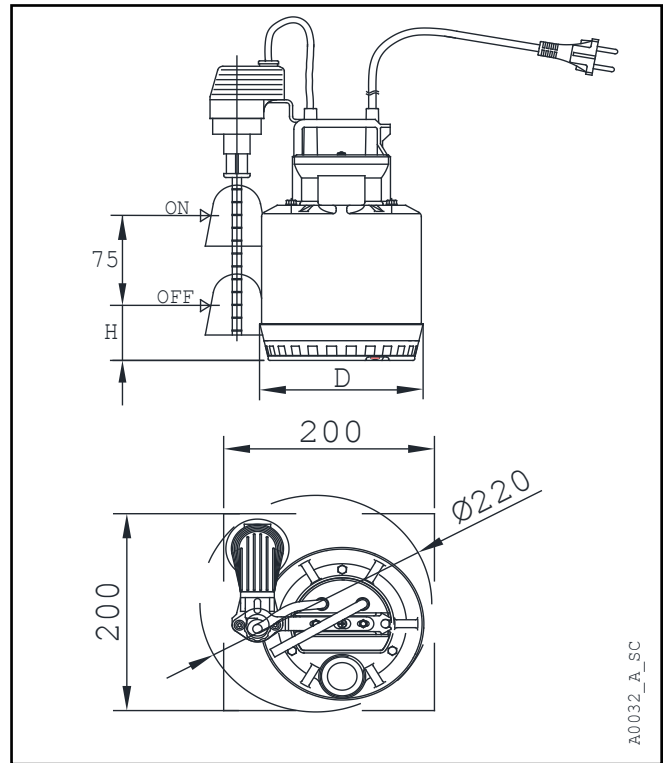
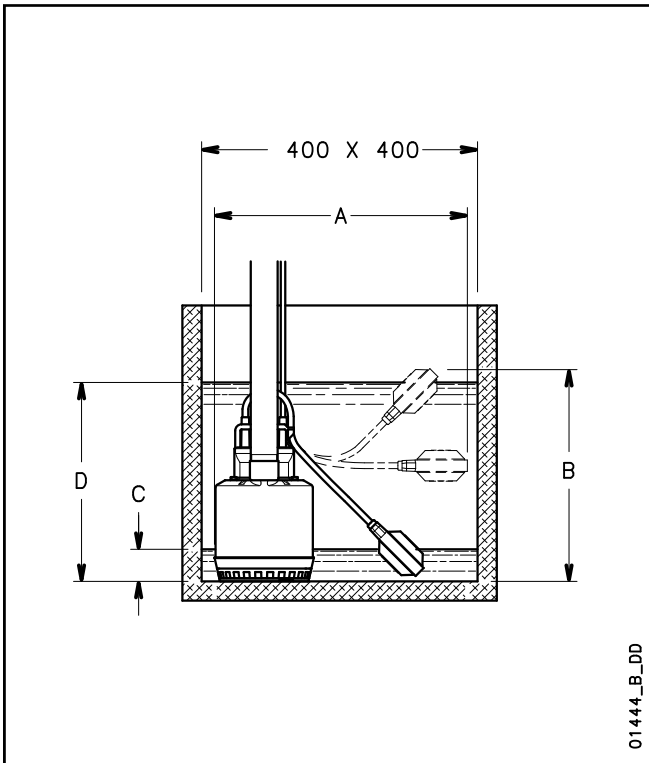
* Minimum liquid level.

doc_doc gw-2p50-en_a_td



A0032/2_A_SC

DOC SERIES INSTALLATION EXAMPLES



PUMP TYPE		DIMENSIONS (mm)		MINIMUM WATER LEVEL	MAXIMUM WATER LEVEL	MINIMUM WATER LEVEL
		A	B	C*	D*	H
DOC3	DOC3 GW	390	330	50	310	75
DOC7	DOC7 GW	390	370	90	350	75
DOC7VX	-	390	395	115	375	125
-	DOC7VX GW	390	370	90	350	100

* Indicative values depending on the float switch adjustment.

doc_docliv gw-2p50-en_a_td

ACCESSORIES

