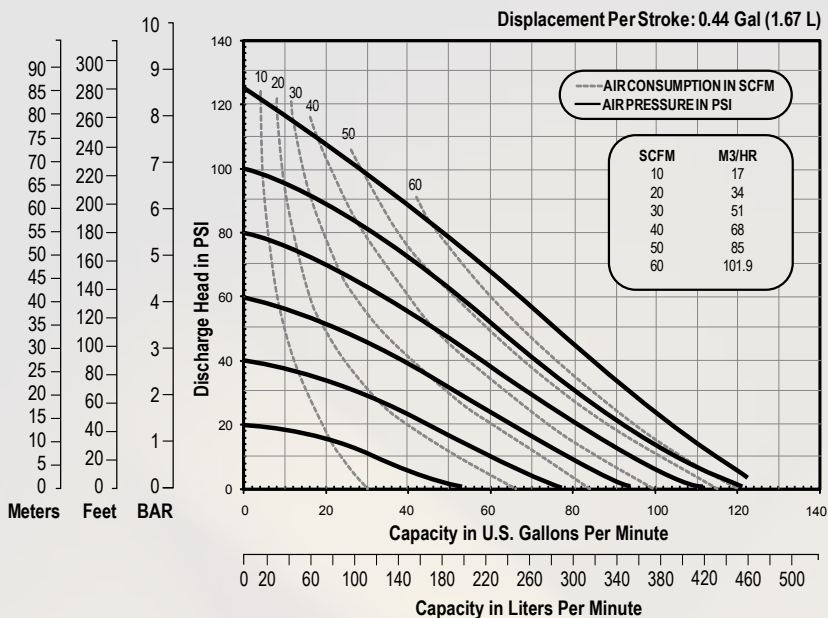


1 1/2" Elima-Matic Bolted Metallic with Metallic Center Section

E40

Performance



NOTE: Performance based on the following: elastomeric fitted pump, flooded suction, water at ambient conditions. The use of other materials and varying hydraulic conditions may result in deviations in excess of 5%.

Specifications

Flow Rate

Adjustable to 0-123 gpm (465 lpm)

Port Size

Suction 1 1/2" (38.1mm) NPT/BSP

Discharge 1 1/2" (38.1mm) NPT/BSP

Air Inlet 1/2" NPT

Air Exhaust 1" NPT

Suction Lift

Dry 19' (5.8 m)

Wet 31' (9.4 m)

Max Solid Size (Diameter)

. 1/4" (6 mm)

Max Noise Level 101 dB(A)

Shipping Weights

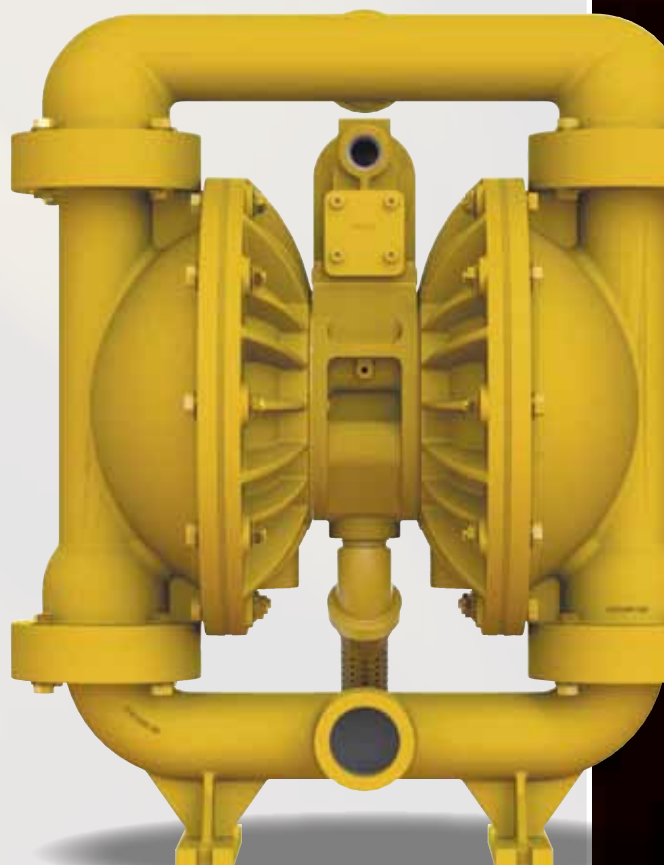
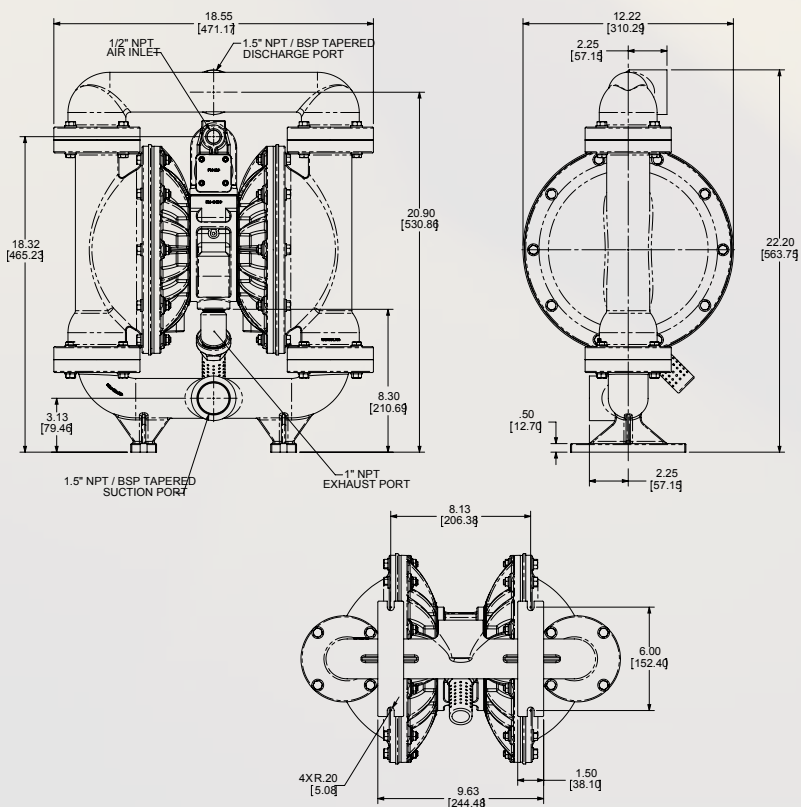
Aluminum 55 lbs (25 kg)

Cast Iron 95 lbs (43 kg)

Stainless Steel 92 lbs (42 kg)

**w/ Stainless Center add 21 lbs (9.5 kg)

Dimensions



AUSTRALIAN DISTRIBUTOR



Warren Rupp, Inc. • A Unit of IDEX Corporation
800 North Main Street, Mansfield, OH 44902 USA
Phone: 419.526.7296 • Fax: 419.526.7289 • www.versamatic.com



CALL 1300 789 466
When Pump Knowledge Matters
www.kelalrpumps.com.au

e40mdlcdsATEX-rev1213