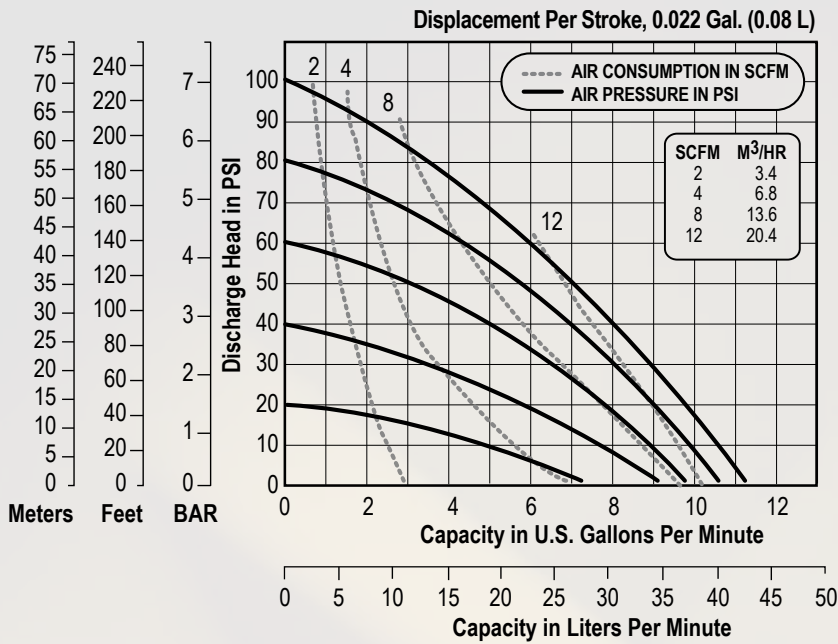


# 1/2" Elima-Matic Bolted Plastic

with Metallic and Non-Metallic Center Sections

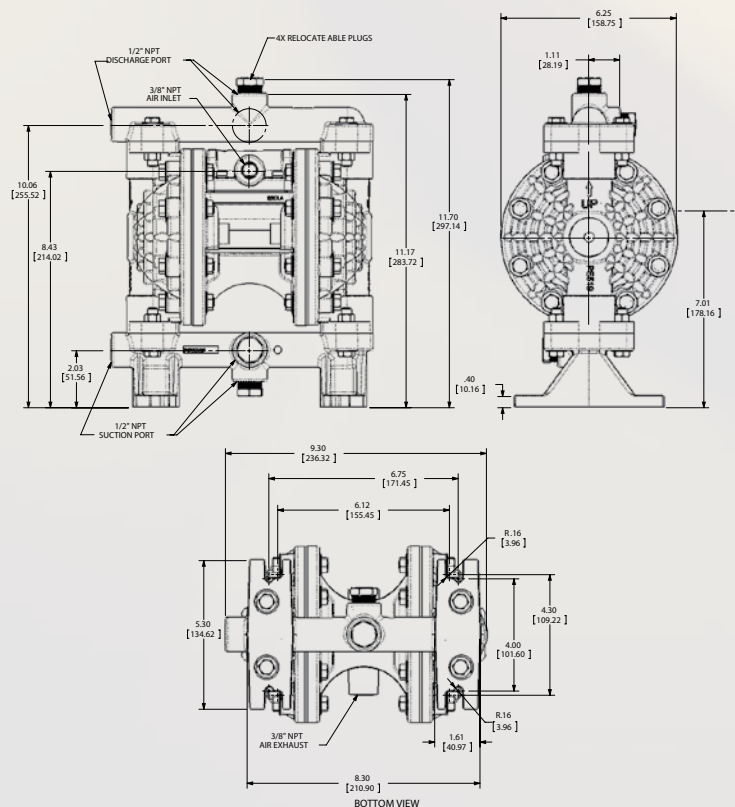
# E5

## Performance



**NOTE:** Performance based on the following: elastomeric fitted pump, flooded suction, water at ambient conditions. The use of other materials and varying hydraulic conditions may result in deviations in excess of 5%.

## Dimensions



## Specifications

- Flow Rate**  
Adjustable to ..... 0-11 gpm (53 lpm)
- Port Size**  
Suction ..... 1/2" NPT  
Discharge ..... 1/2" NPT
- Air Inlet** ..... 3/8" NPT
- Air Exhaust** ..... 3/8" NPT
- Suction Lift**  
Dry ..... 12' (3.6 m)  
Wet ..... 30' (9.1 m)
- Max Solid Size (Diameter)**  
..... 1/16" (1.6 mm)
- Max Noise Level** ..... 86 dB(A)
- Shipping Weights**  
Polypropylene ..... 8.5 lbs (3.9 kg)  
PVDF ..... 12 lbs (5.4 kg)

