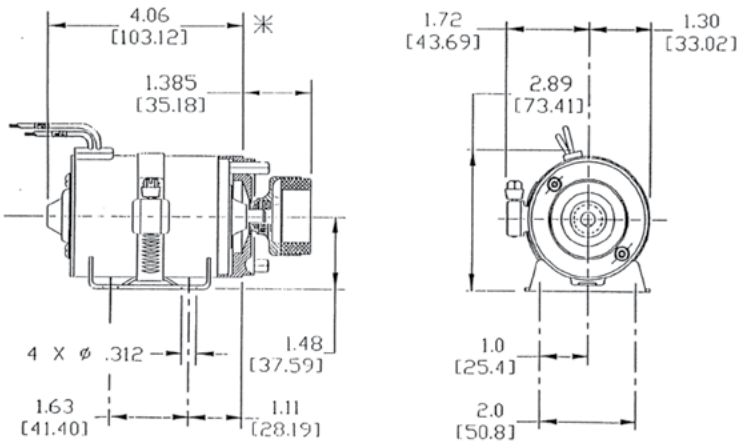
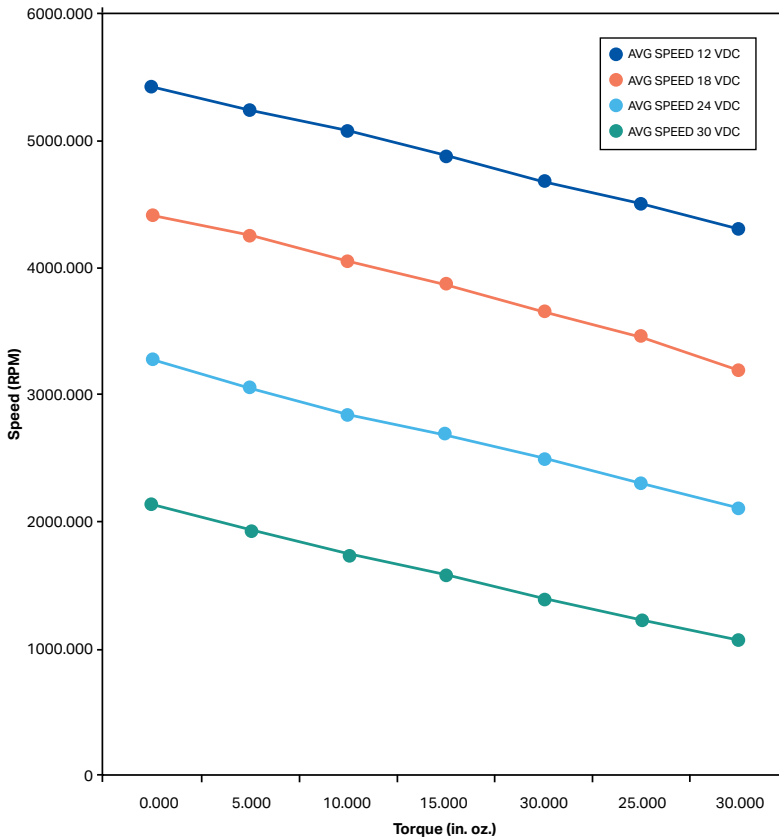


MODEL DC-306.A DRIVE



AVERAGE TESTED PERFORMANCE

Speed vs. Torque



MOTOR SPECIFICATIONS

TYPE

- Permanent Magnet

VOLTAGE

- 24 VDC

AMPERAGE

- 5.0 AMPS @ 3050 RPM

TORQUE

- 30.0 IN.OZ. @ 3050 RPM

HORSEPOWER

- 1/11 @ 3050 RPM

ROTATION

- C.W.S.E.

BEARINGS

- Sleeve

LEADS

- 14 GA.

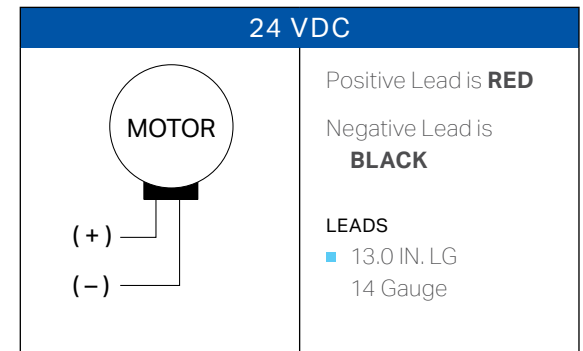
LENGTH

- As Shown, No Tin.

INSULATION CLASS

- 80°C, General Purpose Thermoplastic

WIRING CONNECTIONS



AUSTRALIAN DISTRIBUTOR



KelairPumps

CALL 1300 789 466

When Pump Knowledge Matters

www.kelairpumps.com.au

MICROPUMP