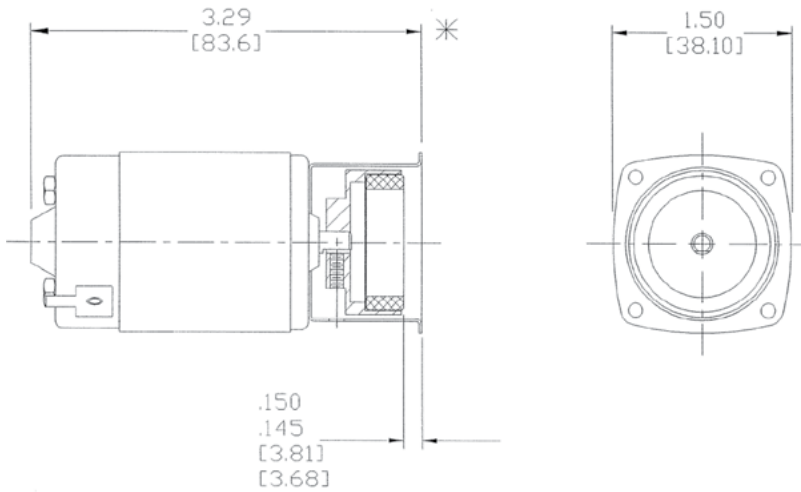
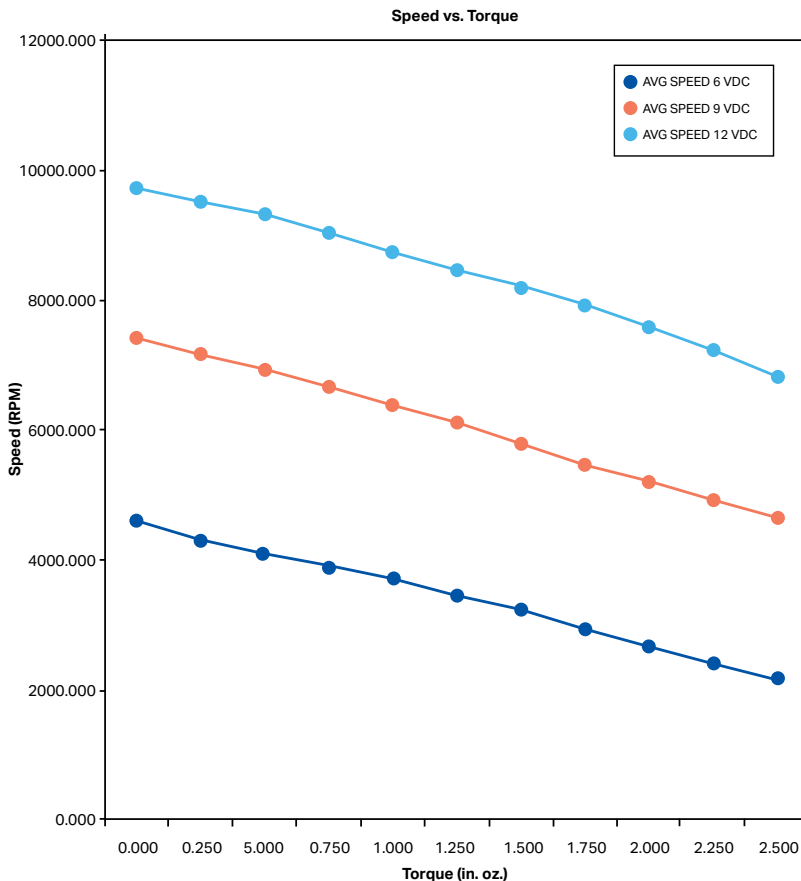


MODEL DC-331.C DRIVE



AVERAGE TESTED PERFORMANCE



MOTOR SPECIFICATIONS

TYPE

- Permanent Magnet

VOLTAGE

- 12 VDC

AMPERAGE

- .38 AMPS Maximum at no load; 10.5 AMPS Maximum at stall.

NO LOAD SPEED

- 7350 RPM Minimum

TORQUE

- 13.5 OZ. IN. Minimum at stall.

BEARING SLEEVE, ENDPLAY

- .015 MAX.

- Shaft rotation is CW Looking at Mounting with (+) on #1 Terminal.

- Male Spade Terminals, Tin plated for Soldering.

WIRING CONNECTIONS

| 12 VDC | |
|-------------------|--|
| | Motor is labeled with (+) for positive |
| (SHAFT END SHOWN) | TERMINALS ■ .188 Male Spade |

AUSTRALIAN DISTRIBUTOR



CALL 1300 789 466

When Pump Knowledge Matters
www.kelairpumps.com.au

MICROPUMP®