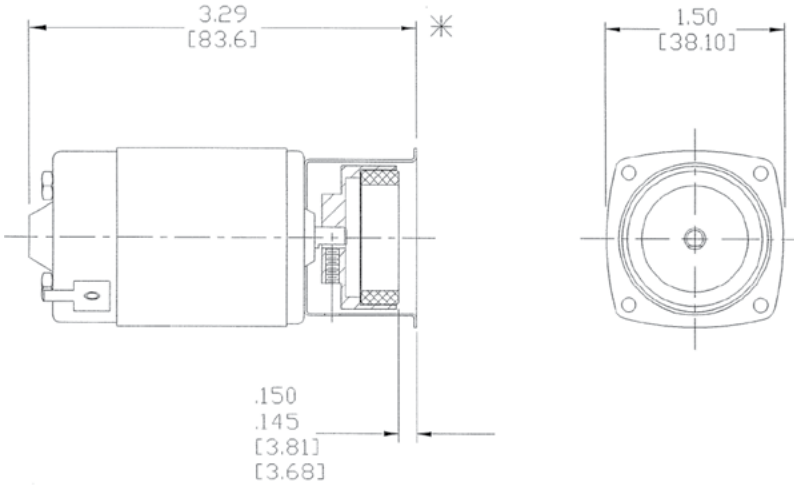
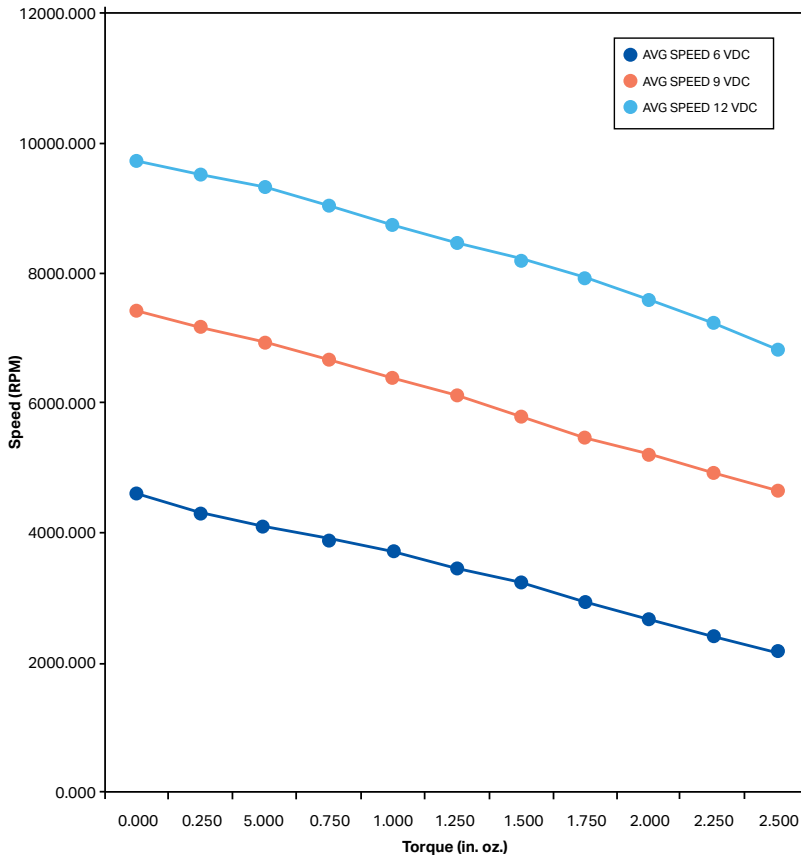


# MODEL DC-332.C DRIVE



## AVERAGE TESTED PERFORMANCE

Speed vs. Torque



## MOTOR SPECIFICATIONS

### TYPE

- Permanent Magnet

### VOLTAGE

- 24 VDC

### AMPERAGE

- .20 AMPS Maximum at no load; 5.75 AMPS Maximum at stall.

### NO LOAD SPEED

- 7350 RPM Minimum

### TORQUE

- 14.5 OZ. IN. Minimum at stall.

### BEARING SLEEVE, ENDPLAY

- .015 MAX.

- Shaft rotation is CW Looking at Mounting with (+) on #1 Terminal.

- Male Spade Terminals, Tin plated

## WIRING CONNECTIONS

24 VDC	
	Motor is labeled with (+) for positive  <b>TERMINALS</b> ■ .188 Male Spade
<b>(SHAFT END SHOWN)</b>	

AUSTRALIAN DISTRIBUTOR



CALL 1300 789 466  
When Pump Knowledge Matters  
[www.kelairpumps.com.au](http://www.kelairpumps.com.au)

**MICROPUMP**