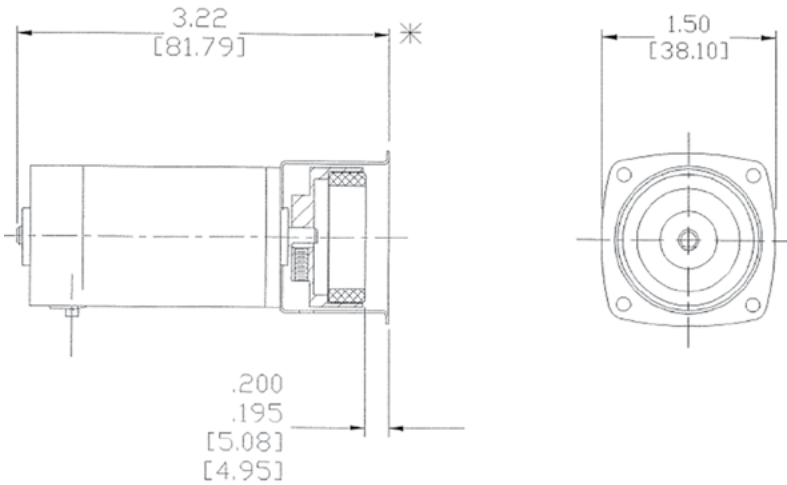
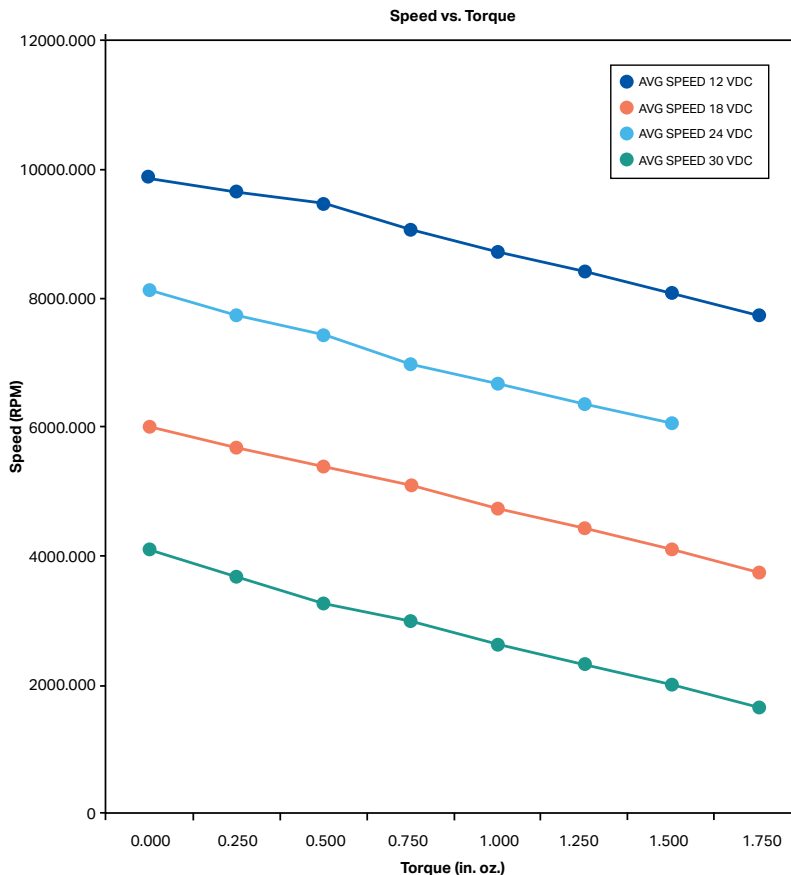


MODEL DC-336.C DRIVE



AVERAGE TESTED PERFORMANCE



MOTOR SPECIFICATIONS

TYPE

- Permanent Magnet DC

VOLTAGE

- 24 VDC

NO LOAD SPEED:

- 8000 RPM

AMPERAGE

- .112 AMP. – No Load
- 1.89 AMP. – Stall

TORQUE

- 6.71 OZ. IN. @ Stall

END PLAY

- .015 Max

- Shaft Rotation is CW Looking at Mounting end with Plus (+) on #1 Terminal.

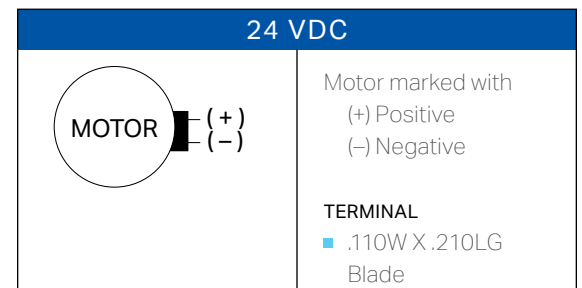
BEARINGS

- Sleeve-sintered Bronze

LEADS

- .110W X .020THK. X .210LG.

WIRING CONNECTIONS



AUSTRALIAN DISTRIBUTOR



CALL 1300 789 466
When Pump Knowledge Matters
www.kelairpumps.com.au

MICROPUMP