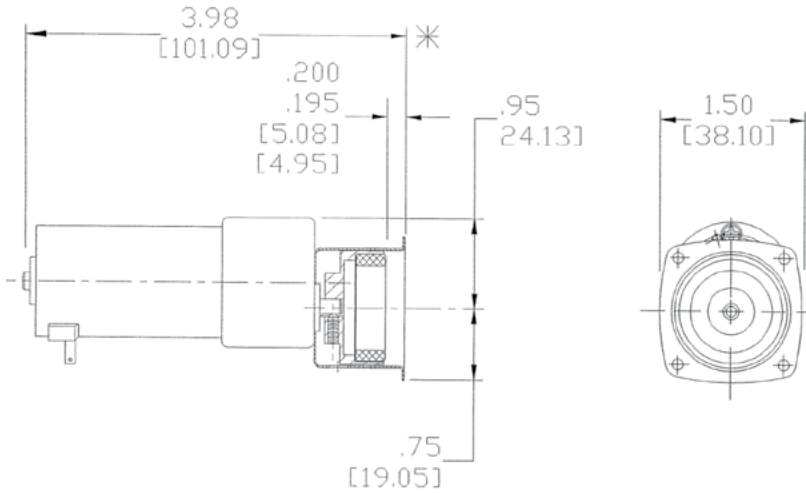


MODEL DC-361.C DRIVE



MOTOR SPECIFICATIONS

TYPE

- Permanent Magnet DC

VOLTAGE

- 19.1 VDC

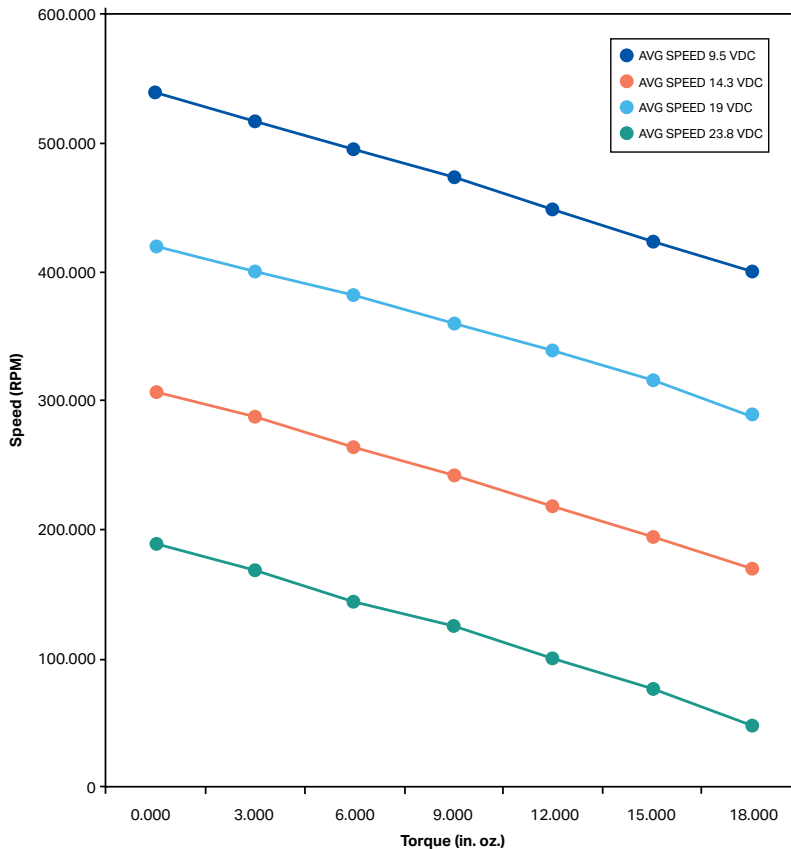
- Shaft Rotation is CW Looking at shaft end with negative (-) on #1 Terminal.

LEADS

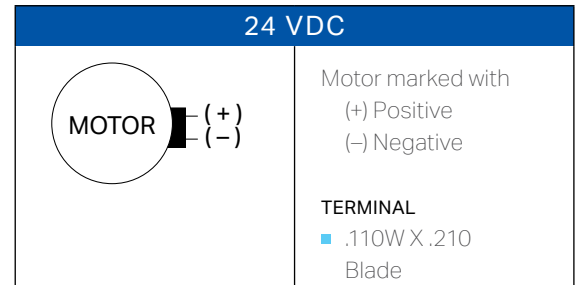
- .110W X .020THK.

AVERAGE TESTED PERFORMANCE

Speed vs. Torque



WIRING CONNECTIONS



AUSTRALIAN DISTRIBUTOR



CALL 1300 789 466
When Pump Knowledge Matters
www.kelairpumps.com.au

MICROPUMP