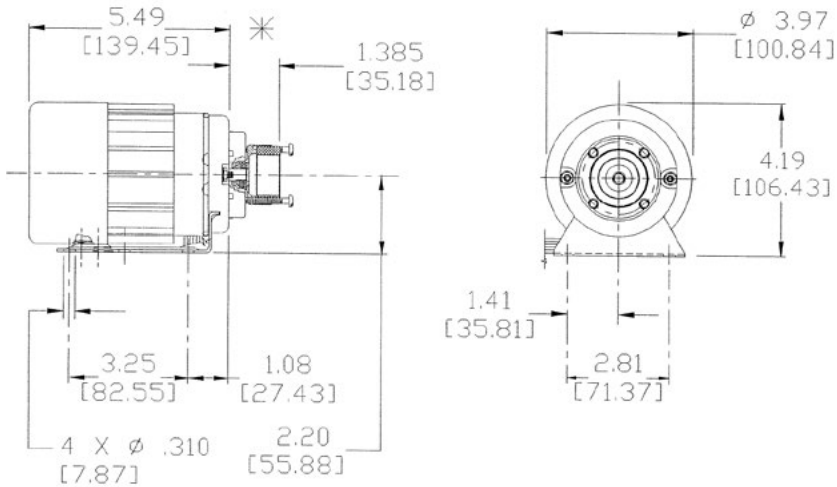
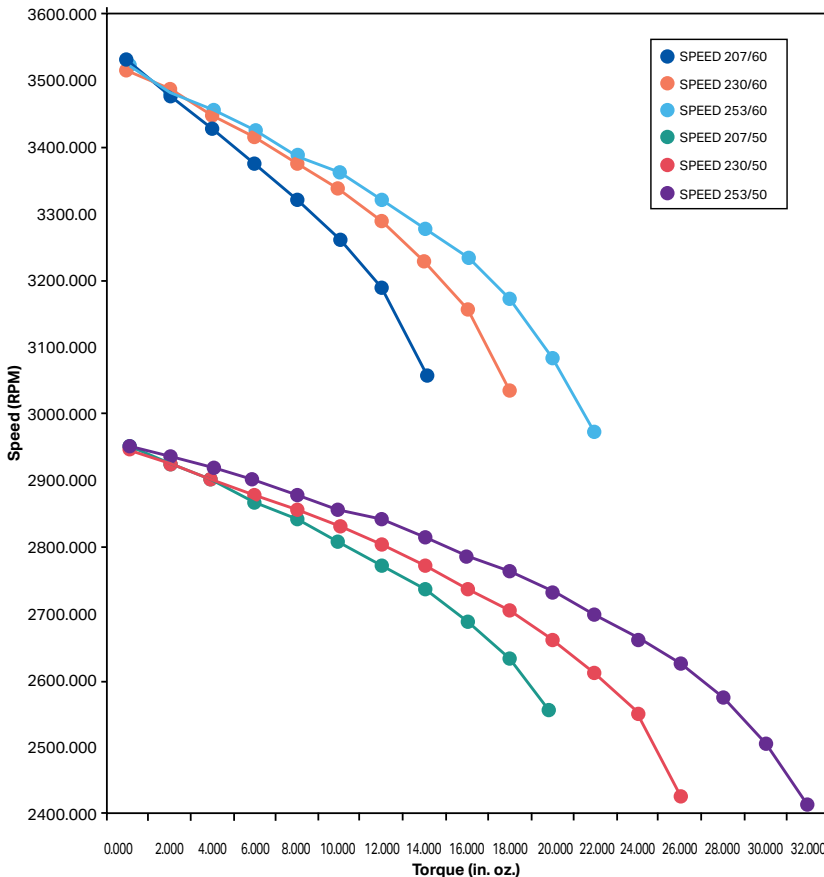


# MODEL DJ-604.A DRIVE



## AVERAGE TESTED PERFORMANCE

Speed vs. Torque



## MOTOR SPECIFICATIONS

### TYPE

- Shaded Pole, TEFC.

### VOLTAGE

- 115/230 VAc, 50/60 HZ.

### AMPERAGE

- 2.1/1.1, 60 HZ.; 2.6/1.4, 50 HZ.

### TORQUE

- 9.1 IN.-OZ. @ 3400 RPM, 115 VAC, 60 HZ.
- 20.53 IN.-OZ. @ 3150 RPM, 115 VAC, 60 HZ.
- 9.5 IN.-OZ. @ 3400 RPM, 230 VAC, 60 HZ.
- 21.4 IN.-OZ. @ 3150 RPM, 230 VAC, 60 HZ.
- 17.6 IN.-OZ. @ 2750 RPM, 115 VAC, 50 HZ.
- 26.3 IN.-OZ. @ 2600 RPM, 115 VAC, 50 HZ.
- 19.0 IN.-OZ. @ 2750 RPM, 230 VAC, 50 HZ.
- 28.0 IN.-OZ. @ 2600 RPM, 230 VAC, 50 HZ.

### HORSEPOWER

- .06

### ROTATION

- CWLE-CWSE

### BEARINGS

- Sealed Ball

### INSULATION

- Class B

### LEADS

- 18 GA., .03 INS., 125°C, Cross Linked, Polyethylene Leads.
- This motor is UL Approved.
- IEC 601-1 Compliant

## WIRING CONNECTIONS

115 VAC		230 VAC	
Orange	Line - 1	Orange	Line - 1
Yellow	Line - 2	Yellow	Line - 2
Blue		Blue	INS.
Red		Red	INS.
Black		Black	INS.
	C.W.S.E.		C.W.S.E.
Leads: 36.0 IN. Long			

### AUSTRALIAN DISTRIBUTOR



CALL 1300 789 466  
When Pump Knowledge Matters  
www.kelairpumps.com.au

**MICROPUMP**