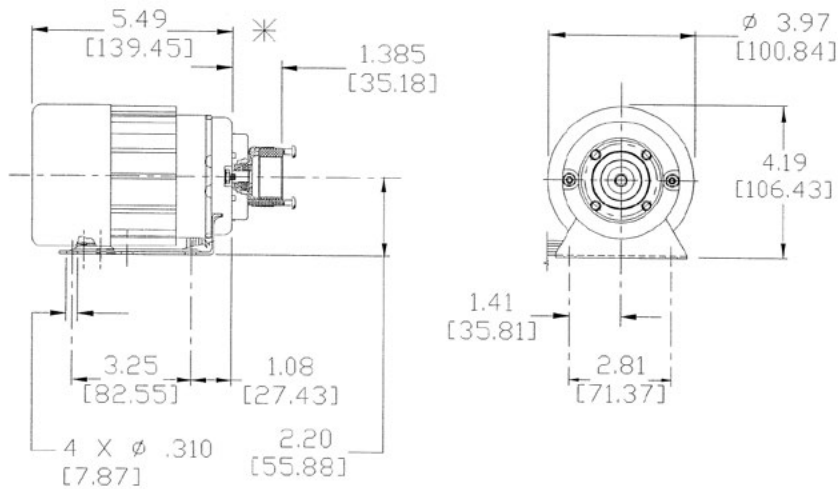
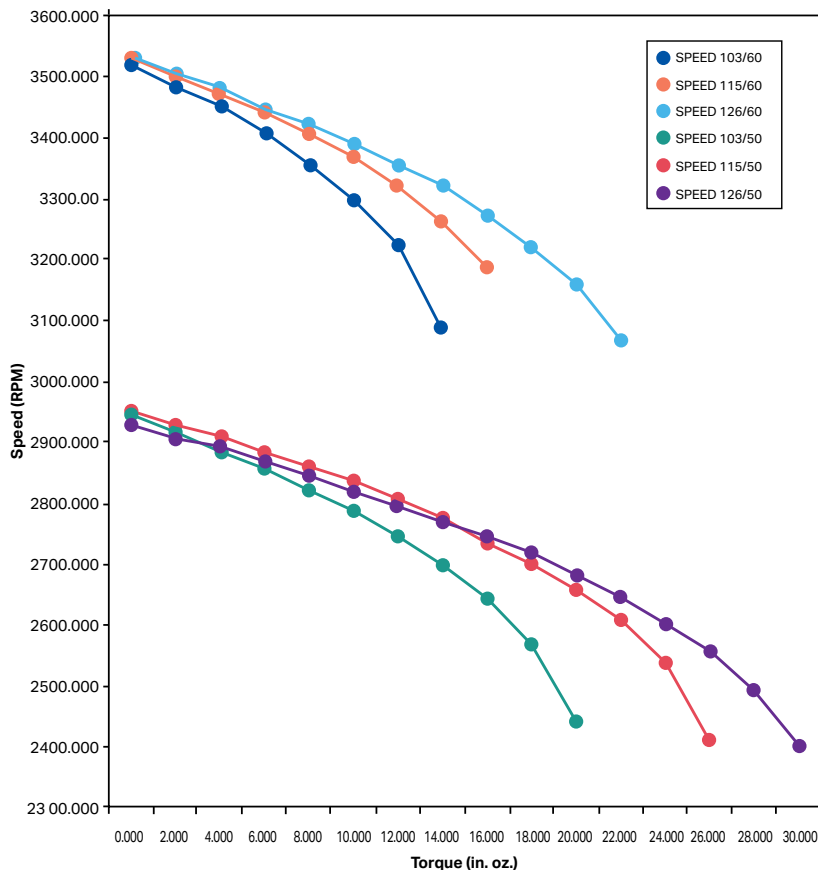


# MODEL DJ-605.A DRIVE



## AVERAGE TESTED PERFORMANCE

Speed vs. Torque



## MOTOR SPECIFICATIONS

### TYPE

- Shaded Pole, TEFC.

### VOLTAGE

- 115 VAC, 60/50 HZ.

### AMPERAGE

- 1.6 A., 60 HZ/ @ 3000 RPM

### HORSEPOWER

- 1/20 (REF.)

### ROTATION

- C.W.S.E.

### BEARINGS

- Ball, Preload OSE.

### INSULATION CLASS

- B

### CORD

- 18/3 SJT Cord, INS., .03 THK., 3 Prong Plug, 105°C. Molded Ply

## WIRING CONNECTIONS

115 VAC
72 ± 1 Inch Cord with 3 Prong Plug

## AUSTRALIAN DISTRIBUTOR



CALL 1300 789 466

When Pump Knowledge Matters

[www.kelairpumps.com.au](http://www.kelairpumps.com.au)

**MICROPUMP**