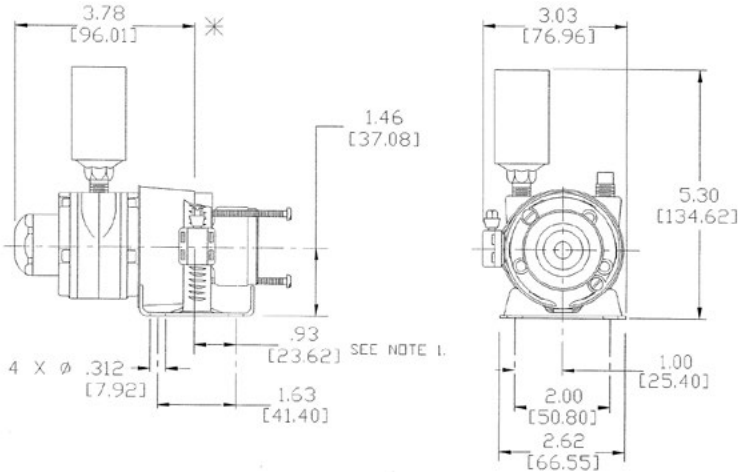
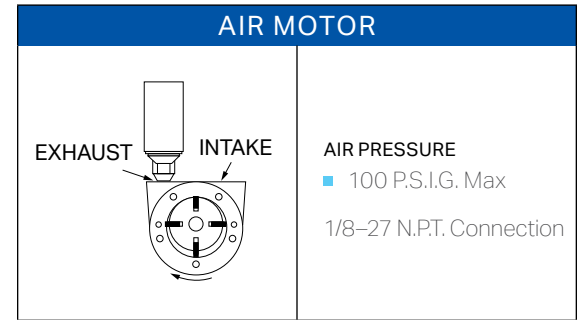


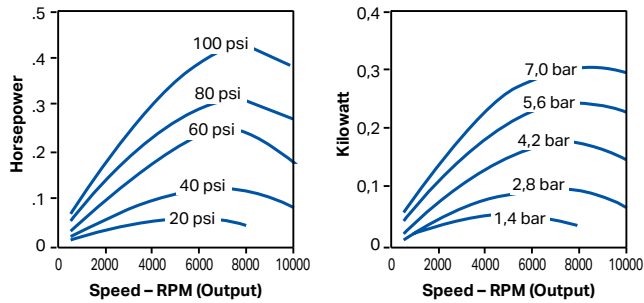
MODEL DV-955.A DRIVE



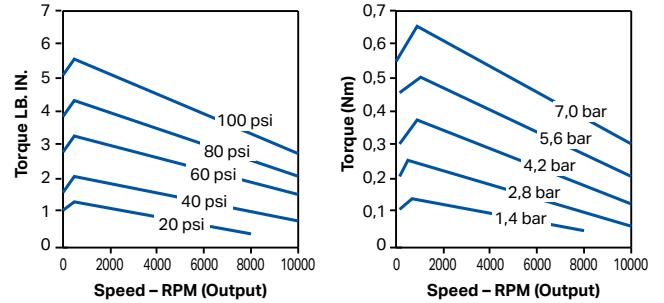
PNEUMATIC CONNECTIONS



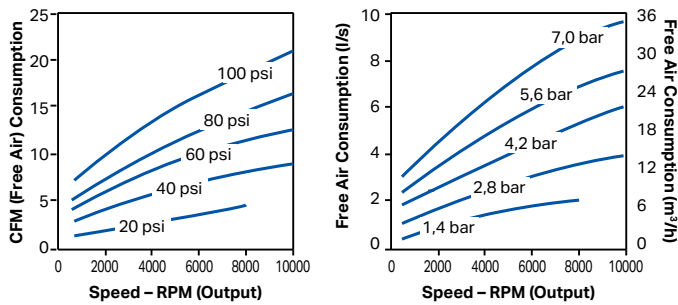
OUTPUT POWER VS. SPEED



TORQUE VS. SPEED



AIR CONSUMPTION VS. SPEED



AUSTRALIAN DISTRIBUTOR



CALL 1300 789 466
 When Pump Knowledge Matters
www.kelairpumps.com.au

MICROPUMP®