

| | | | | | | | | | | | | | | | | | |
|---|------------------|-------------|------------------|---------|---|---|---|---|---|---|---|---|-------|--|--|------------------|--|
| <p>Order Code</p> <table style="width:100%; border-collapse: collapse;"> <tr> <td style="width:15%;">Base Code</td> <td style="width:15%; text-align: center;">Gear Set</td> <td style="width:15%; text-align: center;">Drive Mount</td> <td style="width:15%; text-align: center;">Options</td> </tr> <tr> <td style="border: 1px solid black; text-align: center;">G</td> <td style="border: 1px solid black; text-align: center;">B</td> <td style="border: 1px solid black; text-align: center;">3</td> <td style="border: 1px solid black; text-align: center;">4</td> </tr> <tr> <td style="text-align: center;">1</td> <td style="text-align: center;">2</td> <td style="text-align: center;">3</td> <td style="text-align: center;">4</td> </tr> <tr> <td colspan="3" style="text-align: center;">Model</td> <td style="text-align: center;">Wetted Materials</td> </tr> </table> <p style="font-size: small;">O/C: Pump S/K: Service Kit</p> | Base Code | Gear Set | Drive Mount | Options | G | B | 3 | 4 | 1 | 2 | 3 | 4 | Model | | | Wetted Materials | <p>Pump Construction</p> <p>Magnetic Drive Gear Pump Suction Shoe Style Two or Three Helical Gears/DP25 Stationary Shafts O-Ring Seal (Qty 1)</p> |
| Base Code | Gear Set | Drive Mount | Options | | | | | | | | | | | | | | |
| G | B | 3 | 4 | | | | | | | | | | | | | | |
| 1 | 2 | 3 | 4 | | | | | | | | | | | | | | |
| Model | | | Wetted Materials | | | | | | | | | | | | | | |

Base Code Select a code character for each numbered position to configure the product.

| 1 | Code | Product Type | Specifications | Notes |
|---|------|---------------------------------------|---|---|
| | G | Gear Pump | | |
| 2 | B | Product Series Series GB | <i>Max System Pressure (MAWP)</i> 21 Bar (300 psi) | <i>Ports</i> 1/8-27 (F) NPT Side Ports |
| 3 | - | Modifier Standard Design | | |
| 4 | | Gear Set (Width/N°Gears/Pitch) | <i>Displacement</i> | <i>Max Differential Pressure</i> <i>Driven Magnet (Standard)</i> |
| | P23 | 0.150/2/25 | 0.261 ml/rev (0.07 gal/1000*rev) | 8.7 Bar (125 psi) Ferrite |
| | P25 | 0.350/2/25 | 0.58 ml/rev (0.15 gal/1000*rev) | 8.7 Bar (125 psi) Ferrite |
| | P35 | 0.350/3/25 | 1.17 ml/rev (0.31 gal/1000*rev) | 4.2 Bar (60 psi) Ferrite |
| 5 | | Gear Material | | <i>Max Differential Pressure</i> <i>Temp Range</i> |
| | P | PPS (carbon fiber/ptfe) | | 5.2 Bar (75 psi) -46/177°C (-50/350°F) |
| | J | PEEK (carbon fiber/ptfe) | | 8.7 Bar (125 psi) -46/177°C (-50/350°F) |
| 6 | | Static Seals | | <i>Temp Range</i> |
| | V | Viton® | | -29/204°C (-20/400°F) |
| | D | EP | | -46/149°C (-50/300°F) |
| | F5 | TEV (PTFE encap Viton®) | | -29/204°C (-20/400°F) |
| | K | Kalrez® | | -29/260°C (-20/500°F) |
| 7 | | Base Materials | | |
| | S | SS316 | | |
| | D | Alloy 20 | | |
| | T | Titanium | | |
| | C | Hast C-276® | | |
| 8 | | Drive Mount | <i>Max System Pressure (MAWP)</i> | <i>Weight (Pumphead)</i> |
| | A | MP Housing | 21 Bar (300 psi) | 0.34 kg (0.75 lbs) |
| | E | NEMA 56C | 21 Bar (300 psi) | 1.1 kg (2.4 lbs) |
| | 6 | IEC 71-B14 | 21 Bar (300 psi) | 1.1 kg (2.4 lbs) |

Options Add Option codes after the Base Code to modify features or enhance the product.

| Code | Description | Specifications | Notes |
|------|------------------------------|------------------------------------|-------|
| | Bypass (PC11) | <i>Optional Internal Bypass</i> | |
| B1 | Internal Bypass (SS316) | Preset to 3 Bar (pump only) (Pres) | 1 |
| | Driving Magnet (PC13) | | |
| N3 | NdFeB Driving (Ring) | | 2 |

- Notes
- 1 Available in SS316 only
 - 2 Available only with industrial IEC or NEMA drive mounts

PRICES ARE FOB/EX-WORKS FACTORY - Prices shown are the Manufacturer's Suggested List Price and are subject to change without notice.

USA: Micropump, Inc., A Unit of IDEX Corporation • Phone 360.253.2008 • Fax 360.253.2401
 UK: Micropump, Ltd., A Subsidiary of Micropump, Inc. • Phone +44 (1480) 356900 • Fax +44 (1480) 356920



Technical Data

Series GB

| | | | | | | | |
|-------------------|----------|-----------------|------------------|--------------------|---|---|-------------------------------|
| Order Code | | | | Options | | | |
| Base Code | | Gear Set | | Drive Mount | | | |
| G | B | - | P23 | | | | |
| 1 | 2 | 3 | 4 | 5 | 6 | 7 | 8 |
| Model | | | Wetted Materials | | | | |
| | | | | | | | O/C: Pump S/K: Service Kit |

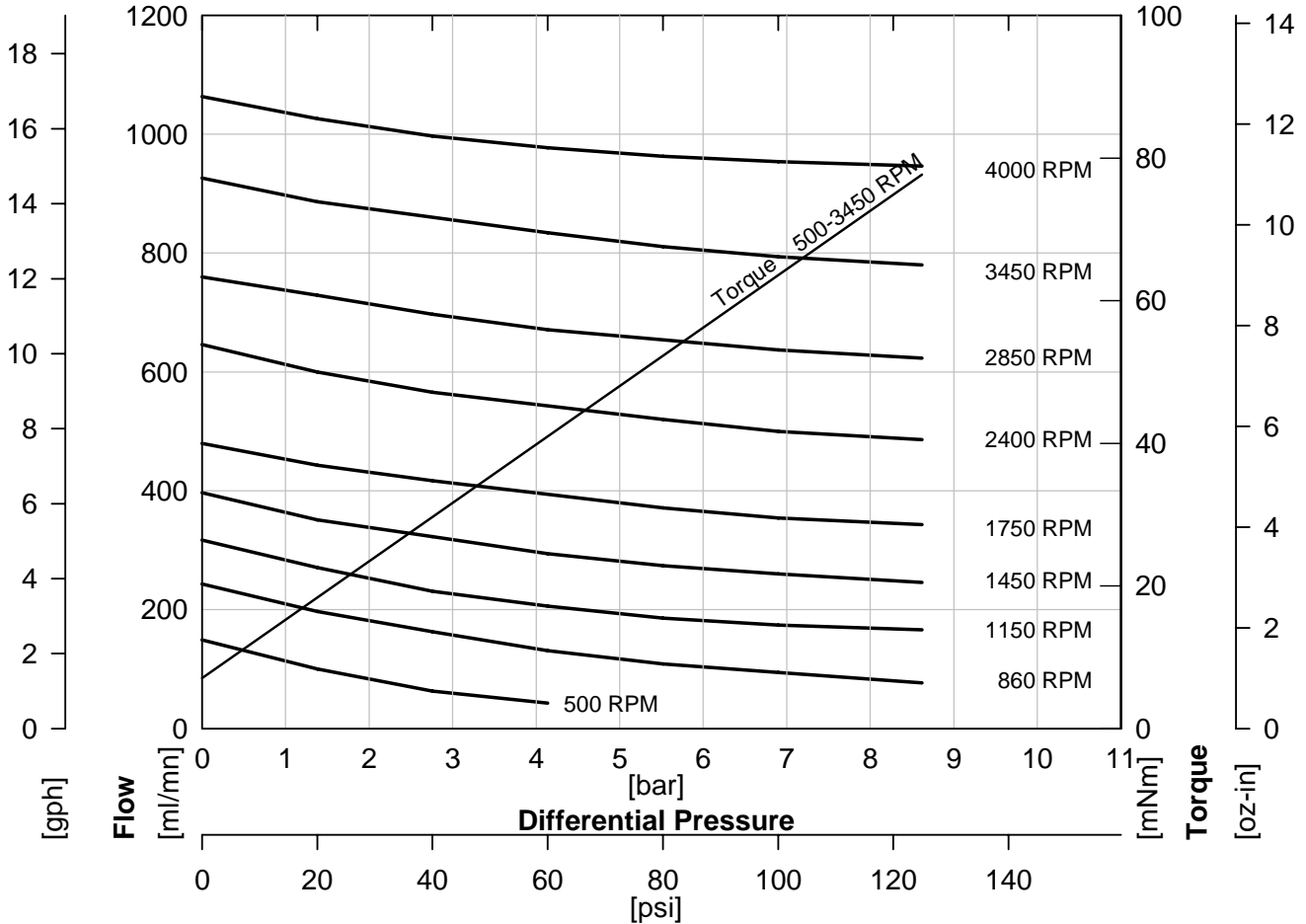
Pump Construction
 Magnetic Drive Gear Pump
 Suction Shoe Style
 Two or Three Helical Gears/DP25
 Stationary Shafts
 O-Ring Seal (Qty 1)



Performance

GB-P23

Water @ 1 CP



ACTUAL PERFORMANCE MAY VARY - Specifications are subject to change without notice. When multiple specs are noted, the most conservative value applies.

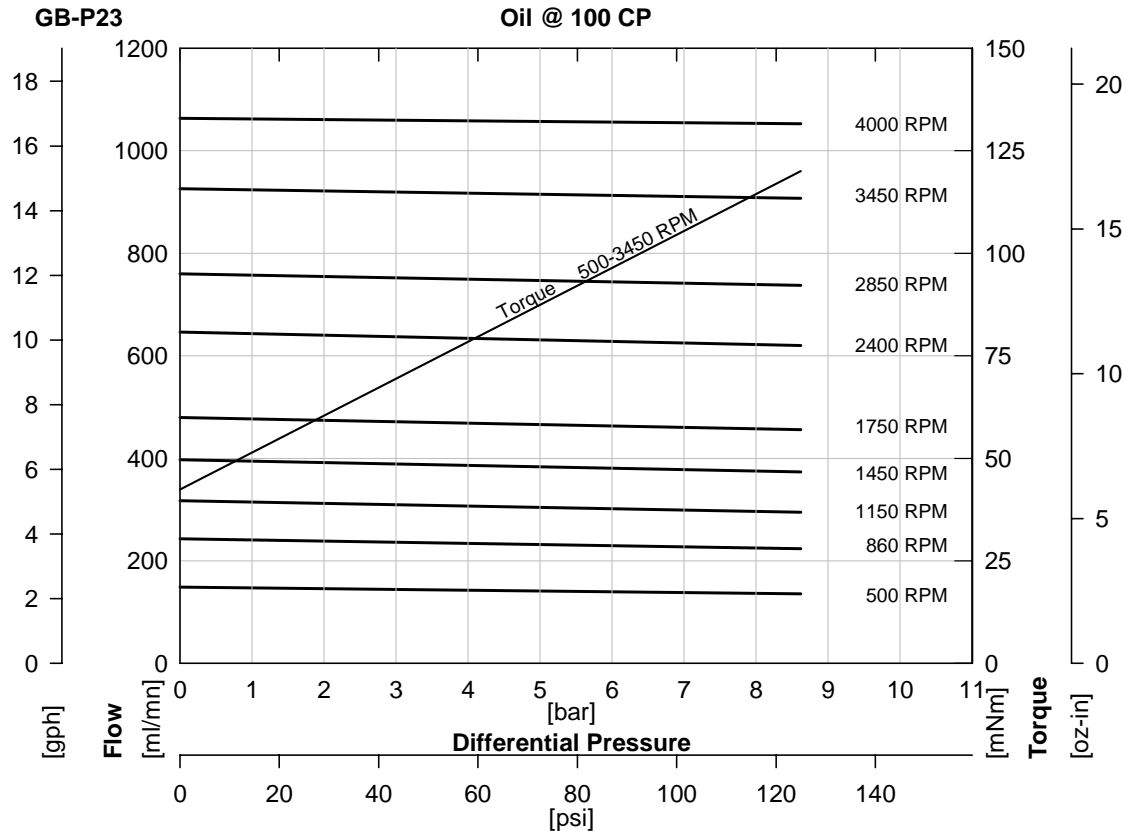
USA: Micropump, Inc., A Unit of IDEX Corporation • Phone 360.253.2008 • Fax 360.253.2401
 UK: Micropump, Ltd., A Subsidiary of Micropump, Inc. • Phone +44 (1480) 356900 • Fax +44 (1480) 356920
 info@micropump.com www.micropump.com

GB300 Rev A
Page 1

| | | | | | | | |
|-------------------|---|-----------------|------------------|--------------------------|---|----------------|--|
| Order Code | | | | Pump Construction | | | |
| Base Code | | Gear Set | | Drive Mount | | Options | |
| G | B | - | P23 | ● | ● | ● | |
| 1 | 2 | 3 | 4 | 5 | 6 | 7 | 8 |
| Model | | | Wetted Materials | | | | |
| | | | | | | | O/C: Pump S/K: Service Kit |
| | | | | | | | Magnetic Drive Gear Pump Suction Shoe Style Two or Three Helical Gears/DP25 Stationary Shafts O-Ring Seal (Qty 1) |



Performance-High Viscosity



$$\text{Watts} = \frac{\text{Torque [mNm]} \times \text{Speed [RPM]}}{9555}$$

$$\text{HP} = \frac{\text{Torque [oz-in]} \times \text{Speed [RPM]}}{1.008 \times 10^6}$$

To calculate torque, multiply correction factor by torque from viscosity curve above.


| Torque Correction Factors: For Higher Viscosity Liquids | | | | |
|--|-------|------|------|------|
| Viscosity [cp] | | 1 | 100 | 1500 |
| Max Speed [RPM] | | 3450 | 3450 | 1450 |
| [Bar] | [psi] | | | |
| 0.3 | 5 | 0.2 | 1 | 2.7 |
| 1.4 | 20 | 0.3 | 1 | 2.3 |
| 2.8 | 40 | 0.4 | 1 | 2.1 |
| 4.1 | 60 | 0.5 | 1 | 1.9 |
| 5.5 | 80 | 0.6 | 1 | 1.7 |
| 6.9 | 100 | 0.6 | 1 | 1.6 |
| 8.6 | 125 | 0.6 | 1 | 1.5 |

| Magnet Decouple Torque | | | |
|-------------------------------|-------------|--------------|----------------|
| Driven Magnet | Driving Hub | Torque [mNm] | Torque [oz.in] |
| Ferrite | Ferrite | 155 | 22 |
| Ferrite | SmCo | 212 | 30 |
| Ferrite | NdFeB | 353 | 50 |
| SmCo | Ferrite | 254 | 36 |
| SmCo | SmCo | 565 | 80 |
| SmCo | NdFeB | 777 | 110 |

ACTUAL PERFORMANCE MAY VARY - Specifications are subject to change without notice. When multiple specs are noted, the most conservative value applies.

USA: Micropump, Inc., A Unit of IDEX Corporation • Phone 360.253.2008 • Fax 360.253.2401
 UK: Micropump, Ltd., A Subsidiary of Micropump, Inc. • Phone +44 (1480) 356900 • Fax +44 (1480) 356920
 info@micropump.com www.micropump.com

| | | | | | | | |
|-------------------|---|----------|-----|-------------------------------|---|----------------|---|
| Order Code | | | | Pump Construction | | | |
| Base Code | | Gear Set | | Drive Mount | | Options | |
| G | B | - | P23 | | | | |
| 1 | 2 | 3 | 4 | 5 | 6 | 7 | 8 |
| Model | | | | Wetted Materials | | | |
| | | | | O/C: Pump S/K: Service Kit | | | |



Magnetic Drive Gear Pump
Suction Shoe Style
Two or Three Helical Gears/DP25
Stationary Shafts
O-Ring Seal (Qty 1)

Specifications

| | SI | US |
|-------------------------------|--|-----------------------------------|
| Displacement | 0.261 ml/rev | 0.07 gal/1000*rev |
| Max Flow (4 Pole Speed) | 380 ml/mn 1450 RPM (50Hz) | 7.3 gal/hr 1750 RPM (60Hz) |
| Max Flow (2 Pole Speed) | 750 ml/mn 2850 RPM (50Hz) | 15 gal/hr 3450 RPM (60Hz) |
| Max Differential Pressure | ¹ 8.7 Bar | 125 psi |
| Max System Pressure (MAWP) | 21 Bar | 300 psi |
| NIPR (Absolute) | 180 mBar | 2.5 psia |
| Wet Lift (Typical) | ² 51 cm.H ₂ O (1450 RPM) | 24 in.H ₂ O (1750 RPM) |
| Temp Range | ³ See Gear Material | See Gear Material |
| Viscosity Range | ⁴ 0.2 to 1500 cp | 0.2 to 1500 cp |
| Max Speed | 10,000 RPM | 10,000 RPM |
| Rotation (Facing Motor Shaft) | CW | CW |
| Weight (Pumphead) | 0.34 kg | 0.75 lbs |
| Dimensions (LxWxH) | See Drawing | See Drawing |
| Ports | 1/8-27 (F) NPT Side Ports | 1/8-27 (F) NPT Side Ports |
| Driven Magnet (Standard) | Ferrite | Ferrite |
| Optional Internal Bypass | Preset to 3 Bar (pump only) | Preset to 45 psi (pump only) |

Notes

- 1 See Product Options. Max pressure depends on gear material.
- 2 Priming ability varies with operating conditions.
- 3 See Product Options for specific temp limits.
- 4 See Performance-High Viscosity for viscosity limits.

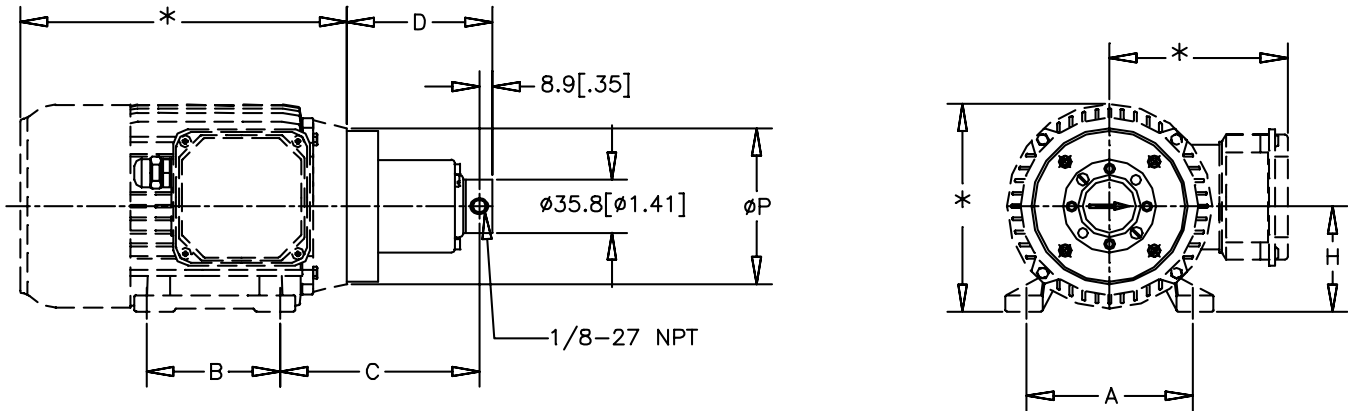
ACTUAL PERFORMANCE MAY VARY - Specifications are subject to change without notice. When multiple specs are noted, the most conservative value applies.

USA: Micropump, Inc., A Unit of IDEX Corporation • Phone 360.253.2008 • Fax 360.253.2401
 UK: Micropump, Ltd., A Subsidiary of Micropump, Inc. • Phone +44 (1480) 356900 • Fax +44 (1480) 356920
 info@micropump.com www.micropump.com

| | | | | | | | |
|-------------------|---|-----------------|-----|--|-----|----------------|---|
| Order Code | | | | Pump Construction | | | |
| Base Code | | Gear Set | | Drive Mount | | Options | |
| G | B | - | P23 | 2 | 4/6 | | |
| 1 | 2 | 3 | 4 | 5 | 6 | 7 | 8 |
| Model | | | | Wetted Materials | | | |
| | | | | O/C: Pump S/K: Service Kit | | | |
| | | | | Magnetic Drive Gear Pump Suction Shoe Style Two or Three Helical Gears/DP25 Stationary Shafts O-Ring Seal (Qty 1) | | | |



Dimensions



| MOUNT | A mm [in] | B mm [in] | C mm [in] | D mm [in] | H mm [in] | P mm [in] |
|----------------------------|--------------|--------------|--------------|--------------|--------------|--------------|
| ² IEC56B14B3 | 90 [3.54] | 71 [2.80] | 112.4 [4.43] | 85.3 [3.36] | 56 [2.20] | 80 [3.15] |
| ⁴ IEC63B14B3 | 100 [3.94] | 80 [3.15] | 122.0 [4.80] | 90.9 [3.58] | 63 [2.48] | 90 [3.54] |
| ⁶ IEC71B14B3 | 112 [4.41] | 90 [3.54] | 134.1 [5.28] | 97.9 [3.86] | 71 [2.80] | 105 [4.13] |

NOTES:

1. *THESE DIMENSIONS WILL VARY BASED ON MOTOR SELECTION.
2. ALL DIMENSIONS ARE NOMINAL.

ACTUAL PERFORMANCE MAY VARY - Specifications are subject to change without notice. When multiple specs are noted, the most conservative value applies.

USA: Micropump, Inc., A Unit of IDEX Corporation • Phone 360.253.2008 • Fax 360.253.2401
UK: Micropump, Ltd., A Subsidiary of Micropump, Inc. • Phone +44 (1480) 356900 • Fax +44 (1480) 356920
info@micropump.com www.micropump.com



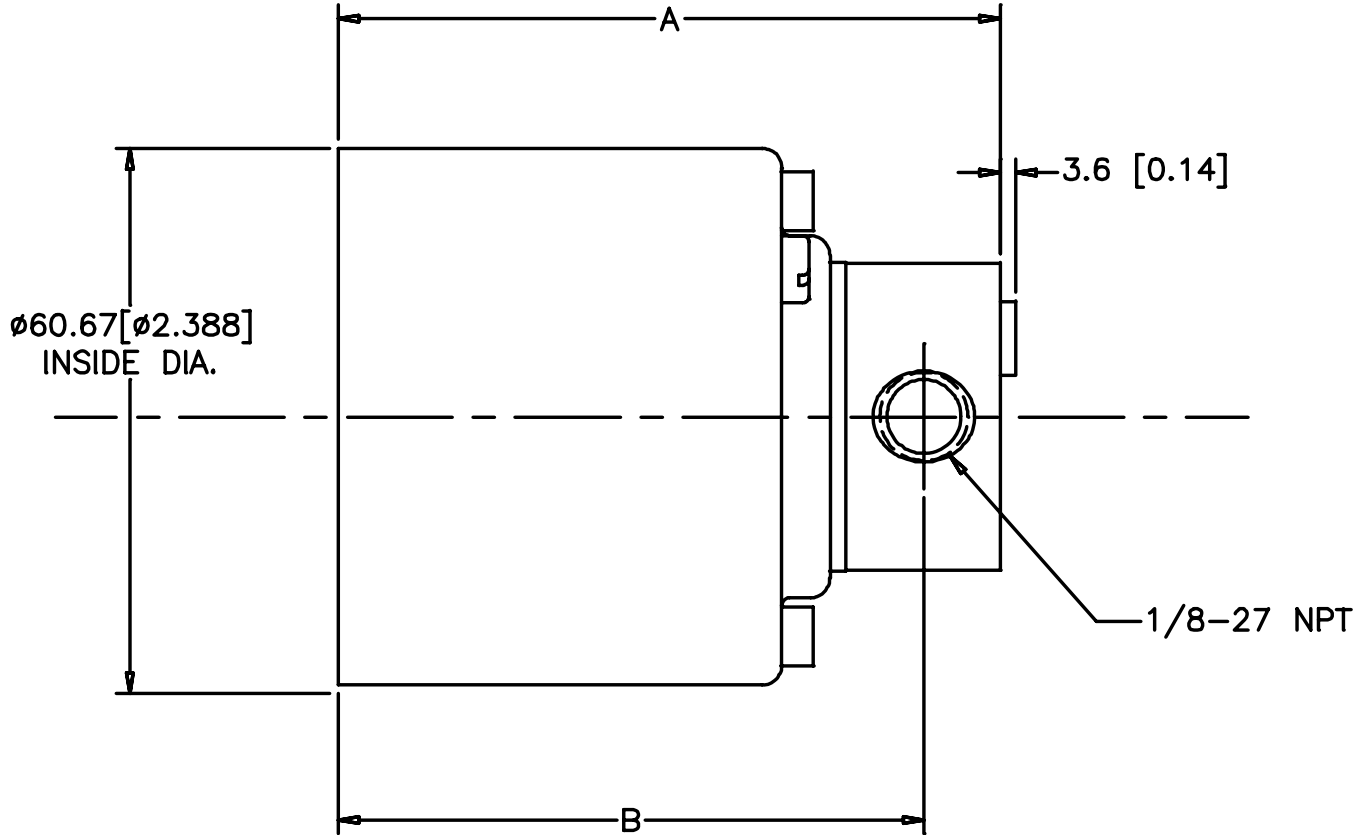
Technical Data

Series GB

| | | | | | | | |
|-------------------|---|----------|------------------|--------------------------|---------|-------------------------------|---|
| Order Code | | | | Pump Construction | | | |
| Base Code | | Gear Set | Drive Mount | | Options | | |
| G | B | - | P23 | | | | A |
| 1 | 2 | 3 | 4 | 5 | 6 | 7 | 8 |
| Model | | | Wetted Materials | | | O/C: Pump S/K: Service Kit | |



Dimensions



| A (MAX) mm [in] | B mm [in] |
|--------------------|--------------|
| 77.0 [3.03] | 68.1 [2.68] |

NOTES:

1. ALL DIMENSIONS ARE NOMINAL.

ACTUAL PERFORMANCE MAY VARY - Specifications are subject to change without notice. When multiple specs are noted, the most conservative value applies.

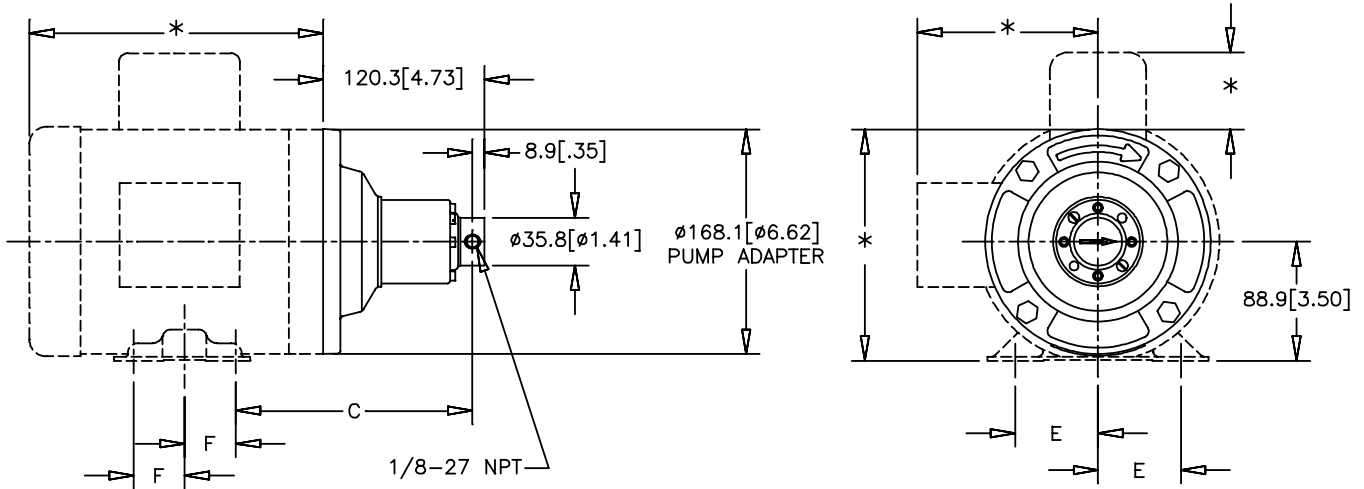
USA: Micropump, Inc., A Unit of IDEX Corporation • Phone 360.253.2008 • Fax 360.253.2401
 UK: Micropump, Ltd., A Subsidiary of Micropump, Inc. • Phone +44 (1480) 356900 • Fax +44 (1480) 356920
 info@micropump.com www.micropump.com

GB301 Rev A
 Dimensions 1
 Printed 06-Oct-05

| | | | | | | | |
|-------------------|---|-----------------|-----|--|---|----------------|---|
| Order Code | | | | Pump Construction | | | |
| Base Code | | Gear Set | | Drive Mount | | Options | |
| G | B | - | P23 | 5 | 6 | 7 | E |
| 1 | 2 | 3 | 4 | 5 | 6 | 7 | 8 |
| Model | | | | Wetted Materials | | | |
| | | | | O/C: Pump S/K: Service Kit | | | |
| | | | | Magnetic Drive Gear Pump Suction Shoe Style Two or Three Helical Gears/DP25 Stationary Shafts O-Ring Seal (Qty 1) | | | |



Dimensions



| MOUNT | C mm [in] | E mm [in] | F mm [in] |
|-------------------------|--------------|--------------|--------------|
| NEMA ^E 56C | 176.7 [6.95] | 61.9 [2.44] | 38.1 [1.50] |
| NEMA ^K 143TC | 171.8 [6.77] | 69.9 [2.75] | 50.8 [2.00] |
| NEMA ^K 145TC | 171.8 [6.77] | 69.9 [2.75] | 63.5 [2.50] |

NOTES:

1. *THESE DIMENSIONS WILL VARY BASED ON MOTOR SELECTION.
2. ALL DIMENSIONS ARE NOMINAL.

ACTUAL PERFORMANCE MAY VARY - Specifications are subject to change without notice. When multiple specs are noted, the most conservative value applies.

USA: Micropump, Inc., A Unit of IDEX Corporation • Phone 360.253.2008 • Fax 360.253.2401
 UK: Micropump, Ltd., A Subsidiary of Micropump, Inc. • Phone +44 (1480) 356900 • Fax +44 (1480) 356920
 info@micropump.com www.micropump.com



Technical Data

Series GB

| | | | | | | | |
|-------------------|----------|-----------------|------------------|--------------------------|---|-------------------------------|---|
| Order Code | | | | Pump Construction | | | |
| Base Code | | Gear Set | | Drive Mount | | Options | |
| G | B | - | P25 | | | | |
| 1 | 2 | 3 | 4 | 5 | 6 | 7 | 8 |
| Model | | | Wetted Materials | | | O/C: Pump S/K: Service Kit | |

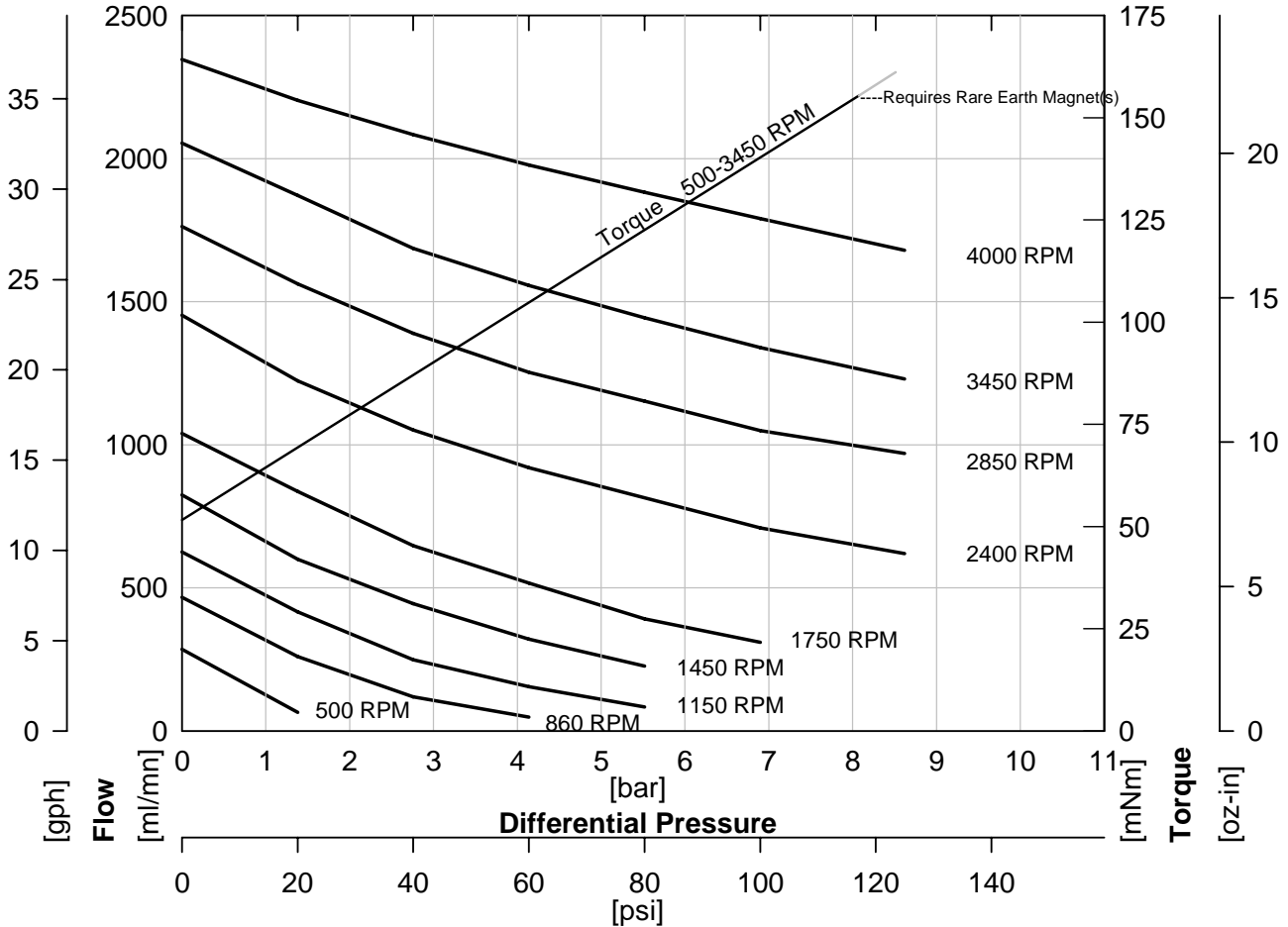
Pump Construction
 Magnetic Drive Gear Pump
 Suction Shoe Style
 Two or Three Helical Gears/DP25
 Stationary Shafts
 O-Ring Seal (Qty 1)



Performance

GB-P25

Water @ 1 CP



ACTUAL PERFORMANCE MAY VARY - Specifications are subject to change without notice. When multiple specs are noted, the most conservative value applies.

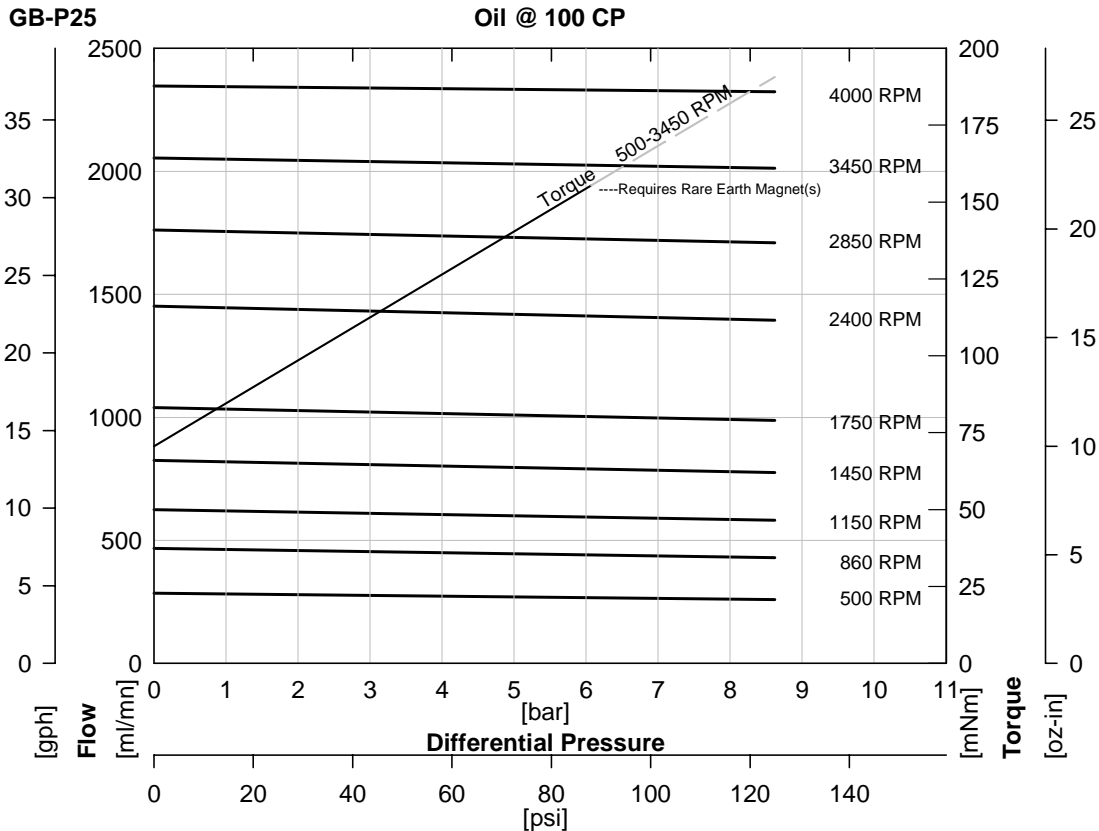
USA: Micropump, Inc., A Unit of IDEX Corporation • Phone 360.253.2008 • Fax 360.253.2401
 UK: Micropump, Ltd., A Subsidiary of Micropump, Inc. • Phone +44 (1480) 356900 • Fax +44 (1480) 356920
 info@micropump.com www.micropump.com

GB500 Rev A
Page 1

| | | | | | | | |
|---|---|-----------------|------------------|--------------------------|---|----------------|-------------------------------|
| Order Code | | | | Pump Construction | | | |
| Base Code | | Gear Set | | Drive Mount | | Options | |
| G | B | - | P25 | ● | ● | ● | |
| 1 | 2 | 3 | 4 | 5 | 6 | 7 | 8 |
| Model | | | Wetted Materials | | | | |
| | | | | | | | O/C: Pump S/K: Service Kit |
| Magnetic Drive Gear Pump Suction Shoe Style Two or Three Helical Gears/DP25 Stationary Shafts O-Ring Seal (Qty 1) | | | | | | | |



Performance-High Viscosity



$$\text{Watts} = \frac{\text{Torque [mNm]} \times \text{Speed [RPM]}}{9555}$$

$$\text{HP} = \frac{\text{Torque [oz-in]} \times \text{Speed [RPM]}}{1.008 \times 10^6}$$

To calculate torque, multiply correction factor by torque from viscosity curve above.

| Torque Correction Factors: For Higher Viscosity Liquids | | | | |
|--|-------|------|------|------|
| Viscosity [cp] | | 1 | 100 | 1500 |
| Max Speed [RPM] | | 3450 | 3450 | 1150 |
| [Bar] | [psi] | | | |
| 0.3 | 5 | 0.7 | 1 | 2.1 |
| 1.4 | 20 | 0.8 | 1 | 1.9 |
| 2.8 | 40 | 0.8 | 1 | 1.7 |
| 4.1 | 60 | 0.8 | 1 | 1.9 |
| 5.5 | 80 | 0.8 | 1 | 1.4 |
| 6.9 | 100 | 0.8 | 1 | 1.3 |
| 8.6 | 125 | 0.9 | 1 | 1.3 |

| Magnet Decouple Torque | | | |
|-------------------------------|-------------|--------------|----------------|
| Driven Magnet | Driving Hub | Torque [mNm] | Torque [oz.in] |
| Ferrite | Ferrite | 155 | 22 |
| Ferrite | SmCo | 212 | 30 |
| Ferrite | NdFeB | 353 | 50 |
| SmCo | Ferrite | 254 | 36 |
| SmCo | SmCo | 565 | 80 |
| SmCo | NdFeB | 777 | 110 |

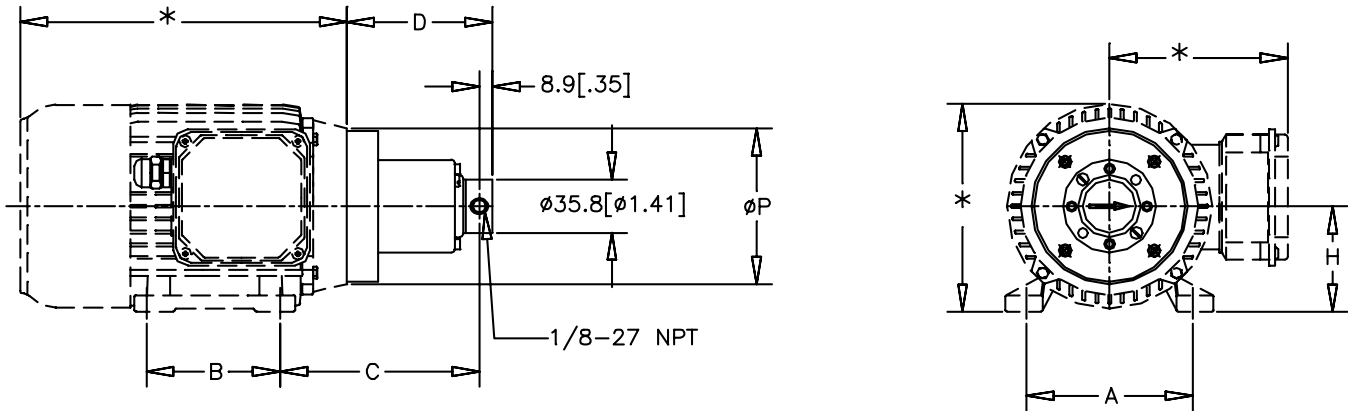
ACTUAL PERFORMANCE MAY VARY - Specifications are subject to change without notice. When multiple specs are noted, the most conservative value applies.

USA: Micropump, Inc., A Unit of IDEX Corporation • Phone 360.253.2008 • Fax 360.253.2401
UK: Micropump, Ltd., A Subsidiary of Micropump, Inc. • Phone +44 (1480) 356900 • Fax +44 (1480) 356920
info@micropump.com www.micropump.com

| | | | | | | | |
|-------------------|---|-----------------|-----|--|-----|----------------|---|
| Order Code | | | | Pump Construction | | | |
| Base Code | | Gear Set | | Drive Mount | | Options | |
| G | B | - | P25 | 2 | 4/6 | | |
| 1 | 2 | 3 | 4 | 5 | 6 | 7 | 8 |
| Model | | | | Wetted Materials | | | |
| | | | | O/C: Pump S/K: Service Kit | | | |
| | | | | Magnetic Drive Gear Pump Suction Shoe Style Two or Three Helical Gears/DP25 Stationary Shafts O-Ring Seal (Qty 1) | | | |



Dimensions



| MOUNT | A mm [in] | B mm [in] | C mm [in] | D mm [in] | H mm [in] | P mm [in] |
|----------------------------|--------------|--------------|--------------|--------------|--------------|--------------|
| ² IEC56B14B3 | 90 [3.54] | 71 [2.80] | 112.4 [4.43] | 85.3 [3.36] | 56 [2.20] | 80 [3.15] |
| ⁴ IEC63B14B3 | 100 [3.94] | 80 [3.15] | 122.0 [4.80] | 90.9 [3.58] | 63 [2.48] | 90 [3.54] |
| ⁶ IEC71B14B3 | 112 [4.41] | 90 [3.54] | 134.1 [5.28] | 97.9 [3.86] | 71 [2.80] | 105 [4.13] |

NOTES:

1. *THESE DIMENSIONS WILL VARY BASED ON MOTOR SELECTION.
2. ALL DIMENSIONS ARE NOMINAL.

ACTUAL PERFORMANCE MAY VARY - Specifications are subject to change without notice. When multiple specs are noted, the most conservative value applies.

USA: Micropump, Inc., A Unit of IDEX Corporation • Phone 360.253.2008 • Fax 360.253.2401
UK: Micropump, Ltd., A Subsidiary of Micropump, Inc. • Phone +44 (1480) 356900 • Fax +44 (1480) 356920
info@micropump.com www.micropump.com



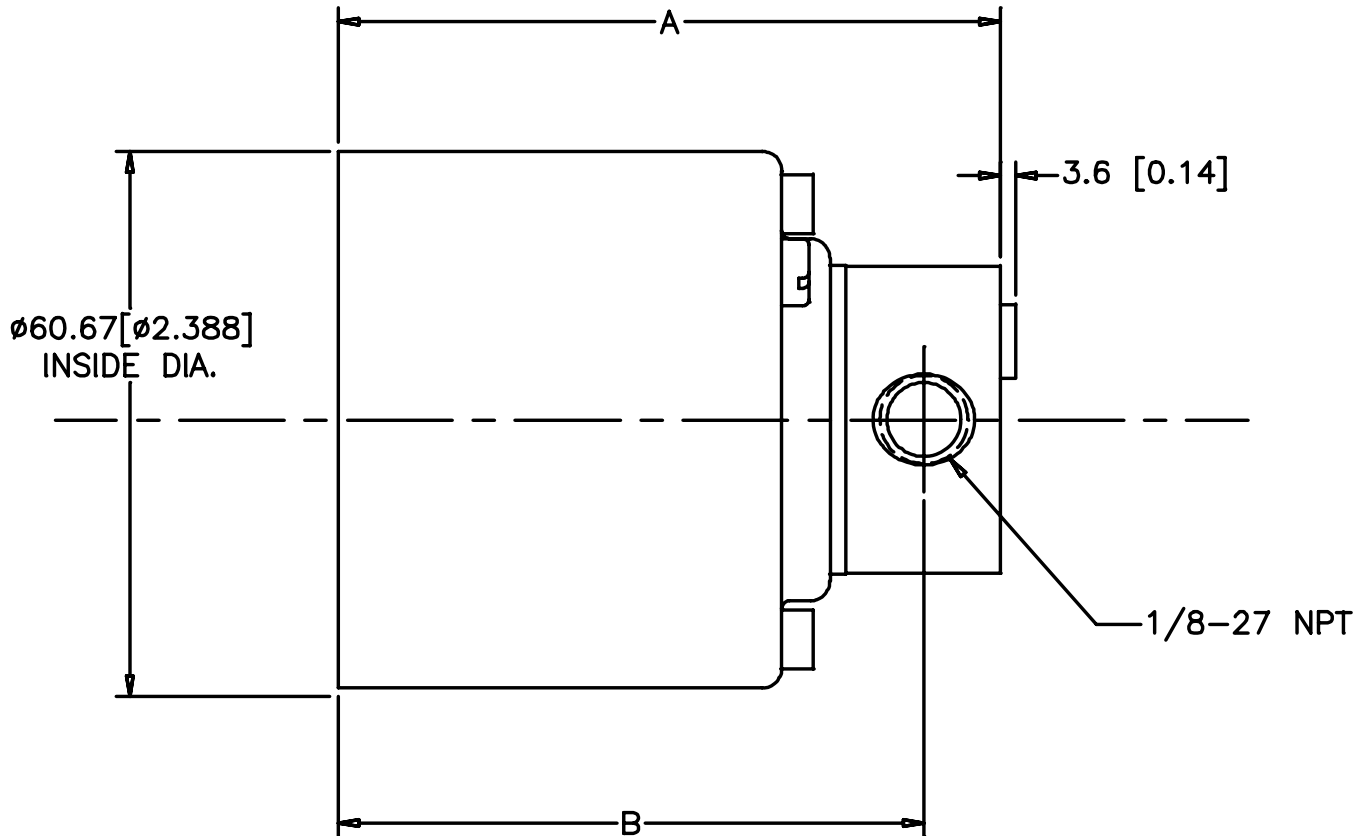
Technical Data

Series GB

| | | | | | | | |
|-------------------|---|----------|-----|---|---|----------------|---|
| Order Code | | | | Pump Construction | | | |
| Base Code | | Gear Set | | Drive Mount | | Options | |
| G | B | - | P25 | | | A | |
| 1 | 2 | 3 | 4 | 5 | 6 | 7 | 8 |
| Model | | | | Wetted Materials | | | |
| | | | | O/C: Pump S/K: Service Kit | | | |
| | | | | Magnetic Drive Gear Pump Suction Shoe Style Two or Three Helical Gears/DP25 Stationary Shafts O-Ring Seal (Qty 1) | | | |



Dimensions



| A (MAX) mm [in] | B mm [in] |
|--------------------|--------------|
| 77.0 [3.03] | 68.1 [2.68] |

NOTES:

1. ALL DIMENSIONS ARE NOMINAL.

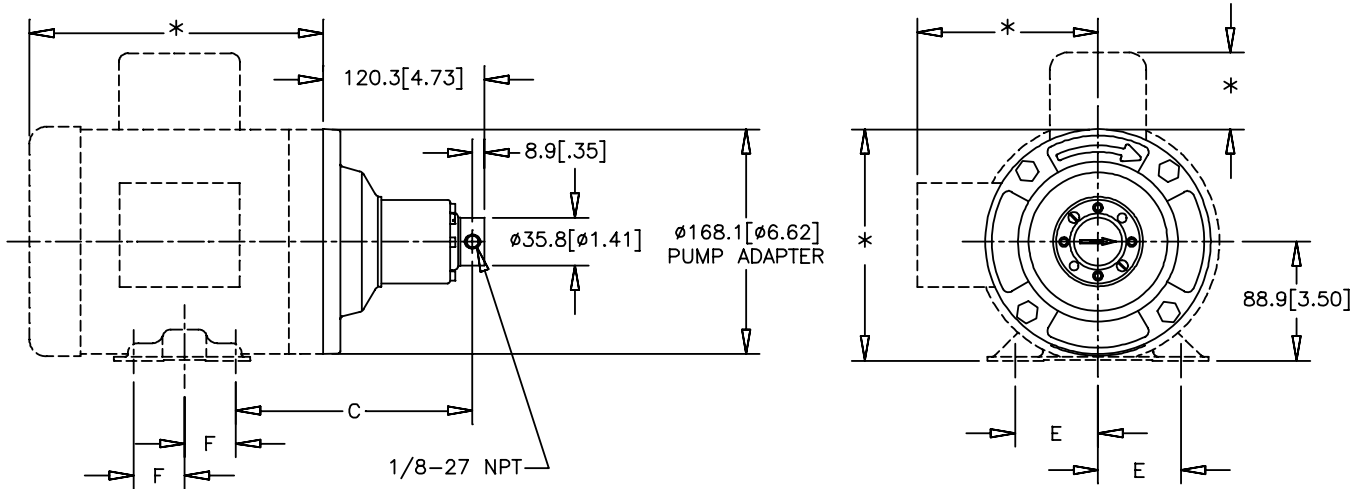
ACTUAL PERFORMANCE MAY VARY - Specifications are subject to change without notice. When multiple specs are noted, the most conservative value applies.

USA: Micropump, Inc., A Unit of IDEX Corporation • Phone 360.253.2008 • Fax 360.253.2401
 UK: Micropump, Ltd., A Subsidiary of Micropump, Inc. • Phone +44 (1480) 356900 • Fax +44 (1480) 356920
 info@micropump.com www.micropump.com

| | | | | | | | |
|-------------------|---|-----------------|-----|--|---|----------------|---|
| Order Code | | | | Pump Construction | | | |
| Base Code | | Gear Set | | Drive Mount | | Options | |
| G | B | - | P25 | 5 | 6 | 7 | E |
| 1 | 2 | 3 | 4 | 5 | 6 | 7 | 8 |
| Model | | | | Wetted Materials | | | |
| | | | | O/C: Pump S/K: Service Kit | | | |
| | | | | Magnetic Drive Gear Pump Suction Shoe Style Two or Three Helical Gears/DP25 Stationary Shafts O-Ring Seal (Qty 1) | | | |



Dimensions



| MOUNT | C mm [in] | E mm [in] | F mm [in] |
|-------------------------|--------------|--------------|--------------|
| NEMA ^E 56C | 176.7 [6.95] | 61.9 [2.44] | 38.1 [1.50] |
| NEMA ^K 143TC | 171.8 [6.77] | 69.9 [2.75] | 50.8 [2.00] |
| NEMA ^K 145TC | 171.8 [6.77] | 69.9 [2.75] | 63.5 [2.50] |

NOTES:

1. *THESE DIMENSIONS WILL VARY BASED ON MOTOR SELECTION.
2. ALL DIMENSIONS ARE NOMINAL.

ACTUAL PERFORMANCE MAY VARY - Specifications are subject to change without notice. When multiple specs are noted, the most conservative value applies.

USA: Micropump, Inc., A Unit of IDEX Corporation • Phone 360.253.2008 • Fax 360.253.2401
 UK: Micropump, Ltd., A Subsidiary of Micropump, Inc. • Phone +44 (1480) 356900 • Fax +44 (1480) 356920
 info@micropump.com www.micropump.com



Technical Data

Series GB

| | | | | | | | |
|-------------------|---|----------|------------------|----------------|---|---|-------------------------------|
| Order Code | | | | Options | | | |
| Base Code | | Gear Set | | Drive Mount | | | |
| G | B | - | P35 | | | | |
| 1 | 2 | 3 | 4 | 5 | 6 | 7 | 8 |
| Model | | | Wetted Materials | | | | |
| | | | | | | | O/C: Pump S/K: Service Kit |

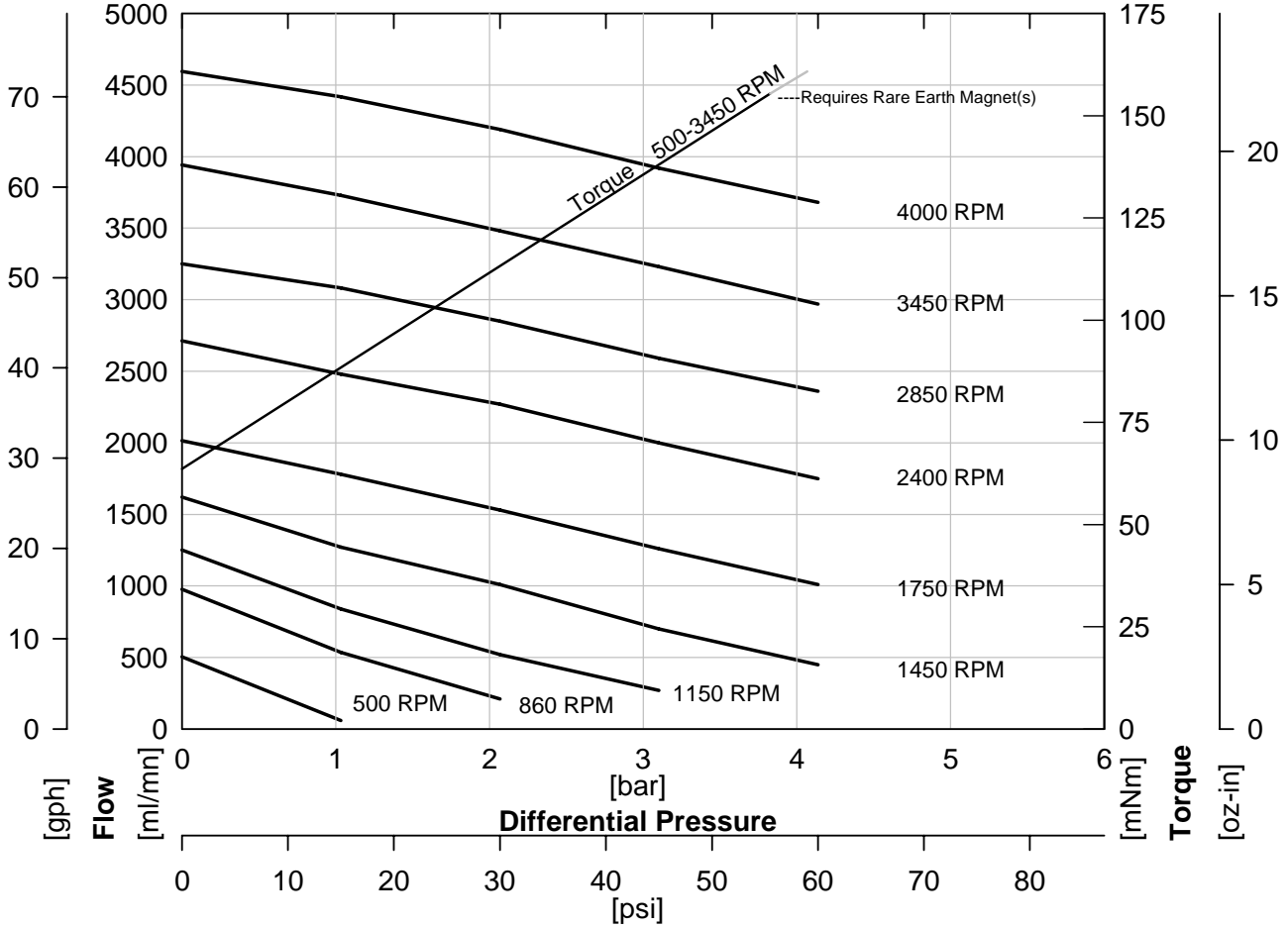
Pump Construction
 Magnetic Drive Gear Pump
 Suction Shoe Style
 Two or Three Helical Gears/DP25
 Stationary Shafts
 O-Ring Seal (Qty 1)



Performance

GB-P35

Water @ 1 CP



ACTUAL PERFORMANCE MAY VARY - Specifications are subject to change without notice. When multiple specs are noted, the most conservative value applies.

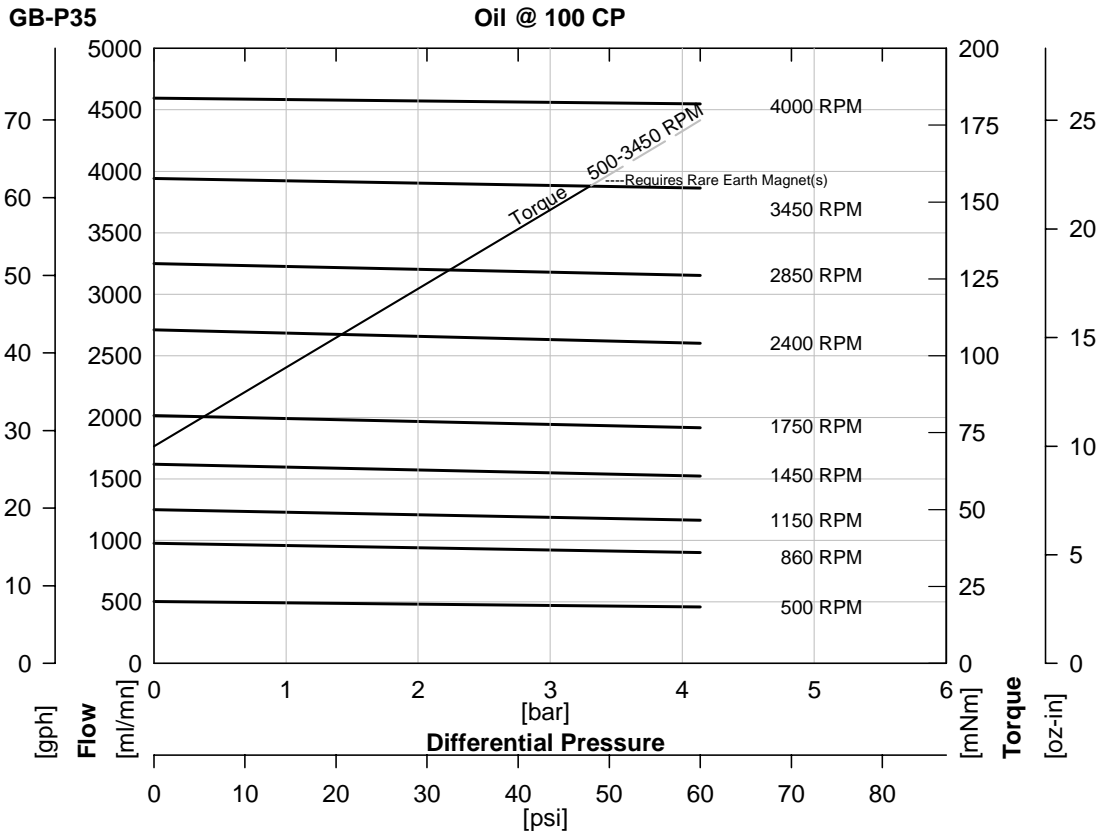
USA: Micropump, Inc., A Unit of IDEX Corporation • Phone 360.253.2008 • Fax 360.253.2401
 UK: Micropump, Ltd., A Subsidiary of Micropump, Inc. • Phone +44 (1480) 356900 • Fax +44 (1480) 356920
 info@micropump.com www.micropump.com

GB700 Rev A
Page 1

| | | | | | | | |
|-------------------|---|----------|-------------|---------------------------------|--|--|--|
| Order Code | | | | Pump Construction | | | |
| Base Code | | Gear Set | Drive Mount | Magnetic Drive Gear Pump | | | |
| G | B | - | P35 | Suction Shoe Style | | | |
| 1 | 2 | 3 | 4 | Two or Three Helical Gears/DP25 | | | |
| Model | | | 5 | Stationary Shafts | | | |
| | | | 6 | O-Ring Seal (Qty 1) | | | |
| | | | 7 | | | | |
| | | | 8 | | | | |
| | | | | Options | | | |
| | | | | O/C: Pump | | | |
| | | | | S/K: Service Kit | | | |



Performance-High Viscosity



$$\text{Watts} = \frac{\text{Torque [mNm]} \times \text{Speed [RPM]}}{9555}$$

$$\text{HP} = \frac{\text{Torque [oz-in]} \times \text{Speed [RPM]}}{1.008 \times 10^6}$$

To calculate torque, multiply correction factor by torque from viscosity curve above.

| Torque Correction Factors: For Higher Viscosity Liquids | | | | |
|---|-------|------|------|------|
| Viscosity [cp] | | 1 | 100 | 1500 |
| Max Speed [RPM] | | 3450 | 3450 | 300 |
| [Bar] | [psi] | | | |
| 0.3 | 5 | 0.9 | 1 | 1.2 |
| 1.4 | 20 | 0.9 | 1 | 1.2 |
| 2.8 | 40 | 0.9 | 1 | 1.1 |
| 4.1 | 60 | 0.9 | 1 | 1.1 |

| Magnet Decouple Torque | | | |
|------------------------|-------------|--------------|----------------|
| Driven Magnet | Driving Hub | Torque [mNm] | Torque [oz.in] |
| Ferrite | Ferrite | 155 | 22 |
| Ferrite | SmCo | 212 | 30 |
| Ferrite | NdFeB | 353 | 50 |
| SmCo | Ferrite | 254 | 36 |
| SmCo | SmCo | 565 | 80 |
| SmCo | NdFeB | 777 | 110 |

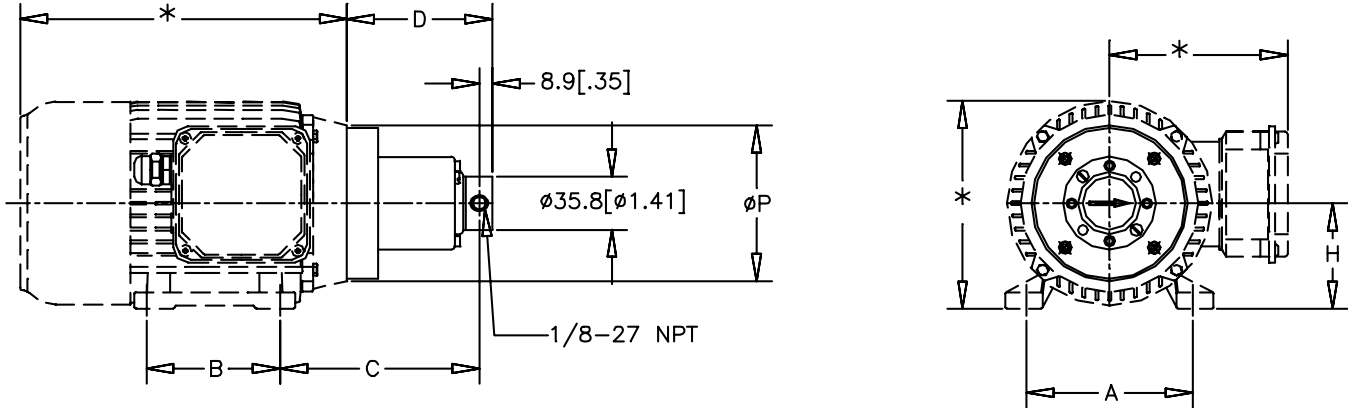
ACTUAL PERFORMANCE MAY VARY - Specifications are subject to change without notice. When multiple specs are noted, the most conservative value applies.

USA: Micropump, Inc., A Unit of IDEX Corporation • Phone 360.253.2008 • Fax 360.253.2401
 UK: Micropump, Ltd., A Subsidiary of Micropump, Inc. • Phone +44 (1480) 356900 • Fax +44 (1480) 356920
 info@micropump.com www.micropump.com

| | | | | | | | |
|-------------------|---|-----------------|-----|--|---|----------------|---|
| Order Code | | | | Pump Construction | | | |
| Base Code | | Gear Set | | Drive Mount | | Options | |
| G | B | - | P35 | 2 | 4 | 6 | 8 |
| 1 | 2 | 3 | 4 | 5 | 6 | 7 | 8 |
| Model | | | | Wetted Materials | | | |
| | | | | O/C: Pump S/K: Service Kit | | | |
| | | | | Magnetic Drive Gear Pump Suction Shoe Style Two or Three Helical Gears/DP25 Stationary Shafts O-Ring Seal (Qty 1) | | | |



Dimensions



| MOUNT | A mm [in] | B mm [in] | C mm [in] | D mm [in] | H mm [in] | P mm [in] |
|----------------------------|--------------|--------------|--------------|--------------|--------------|--------------|
| ² IEC56B14B3 | 90 [3.54] | 71 [2.80] | 112.4 [4.43] | 85.3 [3.36] | 56 [2.20] | 80 [3.15] |
| ⁴ IEC63B14B3 | 100 [3.94] | 80 [3.15] | 122.0 [4.80] | 90.9 [3.58] | 63 [2.48] | 90 [3.54] |
| ⁶ IEC71B14B3 | 112 [4.41] | 90 [3.54] | 134.1 [5.28] | 97.9 [3.86] | 71 [2.80] | 105 [4.13] |

NOTES:

1. *THESE DIMENSIONS WILL VARY BASED ON MOTOR SELECTION.
2. ALL DIMENSIONS ARE NOMINAL.

ACTUAL PERFORMANCE MAY VARY - Specifications are subject to change without notice. When multiple specs are noted, the most conservative value applies.

USA: Micropump, Inc., A Unit of IDEX Corporation • Phone 360.253.2008 • Fax 360.253.2401
UK: Micropump, Ltd., A Subsidiary of Micropump, Inc. • Phone +44 (1480) 356900 • Fax +44 (1480) 356920
info@micropump.com www.micropump.com



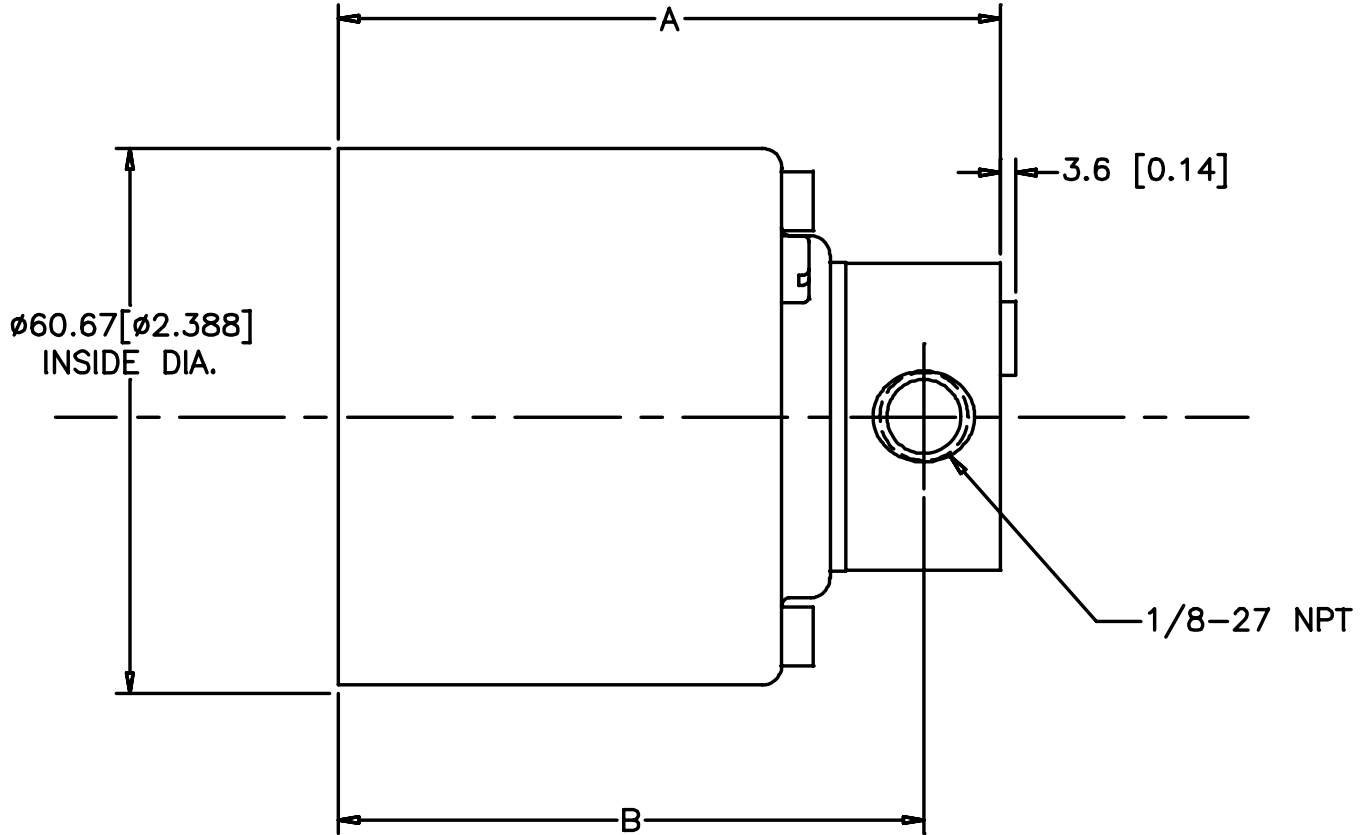
Technical Data

Series GB

| | | | | | | | |
|---|---|----------|-------------|--------------------------|----------------|---|-------------------------------|
| Order Code | | | | Pump Construction | | | |
| Base Code | | Gear Set | Drive Mount | | Options | | |
| G | B | - | P35 | | | | A |
| 1 | 2 | 3 | 4 | 5 | 6 | 7 | 8 |
| Model | | | | Wetted Materials | | | O/C: Pump S/K: Service Kit |
| Magnetic Drive Gear Pump Suction Shoe Style Two or Three Helical Gears/DP25 Stationary Shafts O-Ring Seal (Qty 1) | | | | | | | |



Dimensions



| | |
|--------------------|--------------|
| A (MAX) mm [in] | B mm [in] |
| 77.0 [3.03] | 68.1 [2.68] |

NOTES:

1. ALL DIMENSIONS ARE NOMINAL.

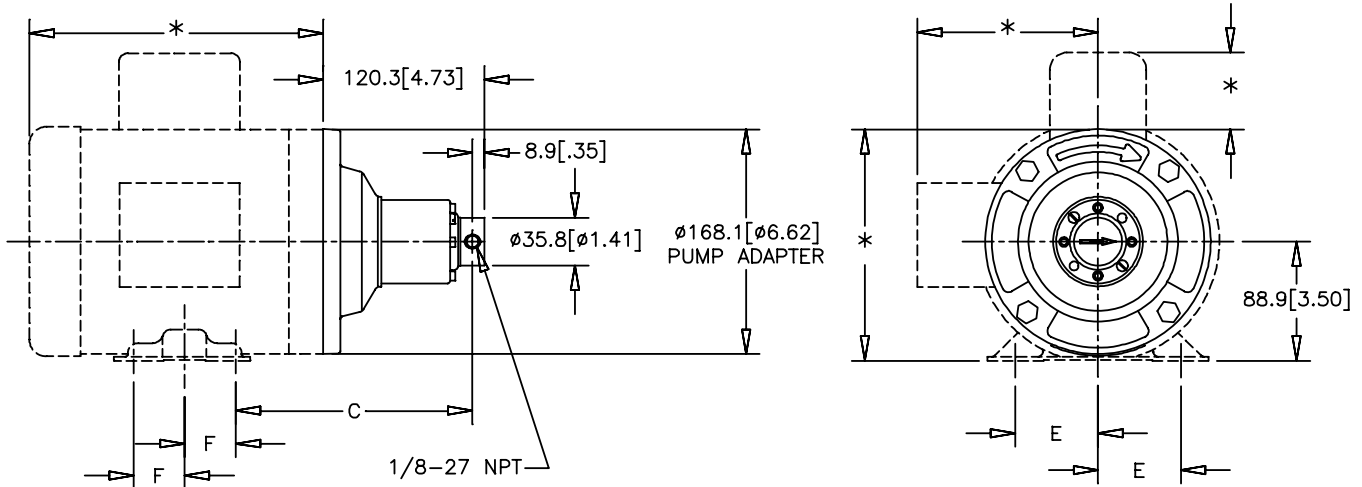
ACTUAL PERFORMANCE MAY VARY - Specifications are subject to change without notice. When multiple specs are noted, the most conservative value applies.

USA: Micropump, Inc., A Unit of IDEX Corporation • Phone 360.253.2008 • Fax 360.253.2401
 UK: Micropump, Ltd., A Subsidiary of Micropump, Inc. • Phone +44 (1480) 356900 • Fax +44 (1480) 356920
 info@micropump.com www.micropump.com

| | | | | | | | |
|-------------------|---|-----------------|-----|---|---|----------------|---|
| Order Code | | | | Pump Construction | | | |
| Base Code | | Gear Set | | Drive Mount | | Options | |
| G | B | - | P35 | | | E | |
| 1 | 2 | 3 | 4 | 5 | 6 | 7 | 8 |
| Model | | | | Wetted Materials | | | |
| | | | | O/C: Pump S/K: Service Kit | | | |
| | | | | Magnetic Drive Gear Pump Suction Shoe Style Two or Three Helical Gears/DP25 Stationary Shafts O-Ring Seal (Qty 1) | | | |



Dimensions



| MOUNT | C mm [in] | E mm [in] | F mm [in] |
|-------------------------|--------------|--------------|--------------|
| NEMA ^E 56C | 176.7 [6.95] | 61.9 [2.44] | 38.1 [1.50] |
| NEMA ^K 143TC | 171.8 [6.77] | 69.9 [2.75] | 50.8 [2.00] |
| NEMA ^K 145TC | 171.8 [6.77] | 69.9 [2.75] | 63.5 [2.50] |

NOTES:

- *THESE DIMENSIONS WILL VARY BASED ON MOTOR SELECTION.
- ALL DIMENSIONS ARE NOMINAL.

AUSTRALIAN DISTRIBUTOR



CALL 1300 789 466

When Pump Knowledge Matters
www.kelairpumps.com.au

ACTUAL PERFORMANCE MAY VARY - Specifications are subject to change without notice. When multiple specs are noted, the most conservative value applies.

USA: Micropump, Inc., A Unit of IDEX Corporation • Phone 360.253.2008 • Fax 360.253.2401
 UK: Micropump, Ltd., A Subsidiary of Micropump, Inc. • Phone +44 (1480) 356900 • Fax +44 (1480) 356920
 info@micropump.com www.micropump.com