

DATA SHEET

Specifications & Performance

Certified Quality



Quality System
ISO9001 Certified



Environmental Management System
ISO14001 Certified

Member of
Hydraulic
INSTITUTE

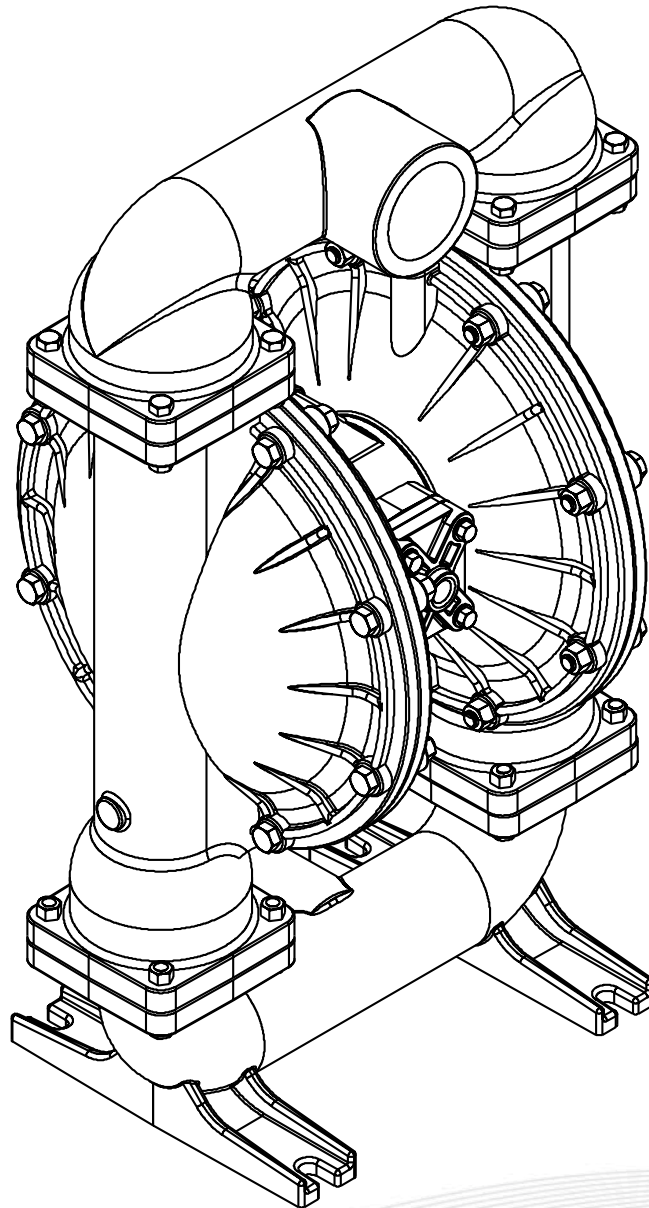
Warren Rupp, Inc.
A Unit of IDEX Corporation
800 N. Main St.,
Mansfield, Ohio 44902 USA
Telephone 419.524.8388
Fax 419.522.7867
WWW.SANDPIPERPUMP.COM



© Copyright 2013 Warren Rupp, Inc.
All rights reserved

Model T30

Food Processing Metallic Design Level 1



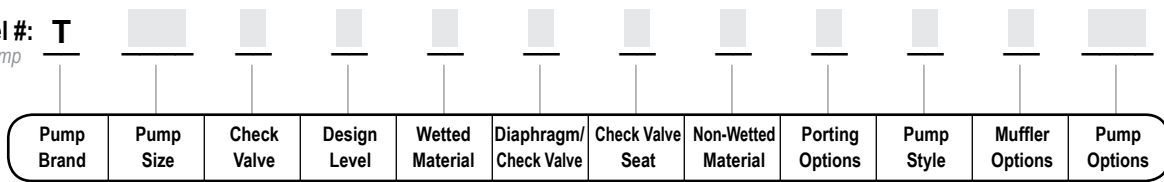
SANDPIPER[®]
A WARREN RUPP, INC. BRAND

WWW.SANDPIPERPUMP.COM

Explanation of Pump Nomenclature

Your Model #: **T**

(fill in from pump nameplate)



Model #: **T XX X X X X X X X X X X XX**

Pump Brand

T Food Processing

Pump Size

30 3"

Check Valve Type

B Ball

Design Level

1 Design Level

Wetted Material

S Stainless Steel

Diaphragm/Check Valve Materials

- *A PTFE - FDA Nitrile/PTFE
- *D FDA Santoprene/FDA Santoprene
- *9 FDA Nitrile/PTFE

Check Valve Seat

- S Stainless Steel
- T PTFE

Non-Wetted Material Options

- S Stainless Steel w/Stainless Steel Hardware
- W White Epoxy Coated Aluminum w/Stainless Steel Hardware

Porting Options

- T 4" Sanitary Clamp Fitting

Pump Style

- S Standard

Muffler Options

- 0 None

Pump Options

- 6 Metal Muffler

*Model equipped with these options are compliant with the traceability requirements of EC Regulation 1935/2004/EC. 

Your Serial #: (fill in from pump nameplate) _____

Performance

T30 METALLIC

SUCTION/DISCHARGE PORT SIZE

- 4" Sanitary Clamp Port

CAPACITY

- 0 to 235 gallons per minute
(0 to 889 liters per minute)

AIR DISTRIBUTION VALVE

- No-lube, no-stall design

SOLIDS-HANDLING

- Up to .38 in. (9.65mm)

HEADS UP TO

- 125 psi or 289 ft. of water
(8.6 Kg/cm² or 86 meters)

DISPLACEMENT/STROKE

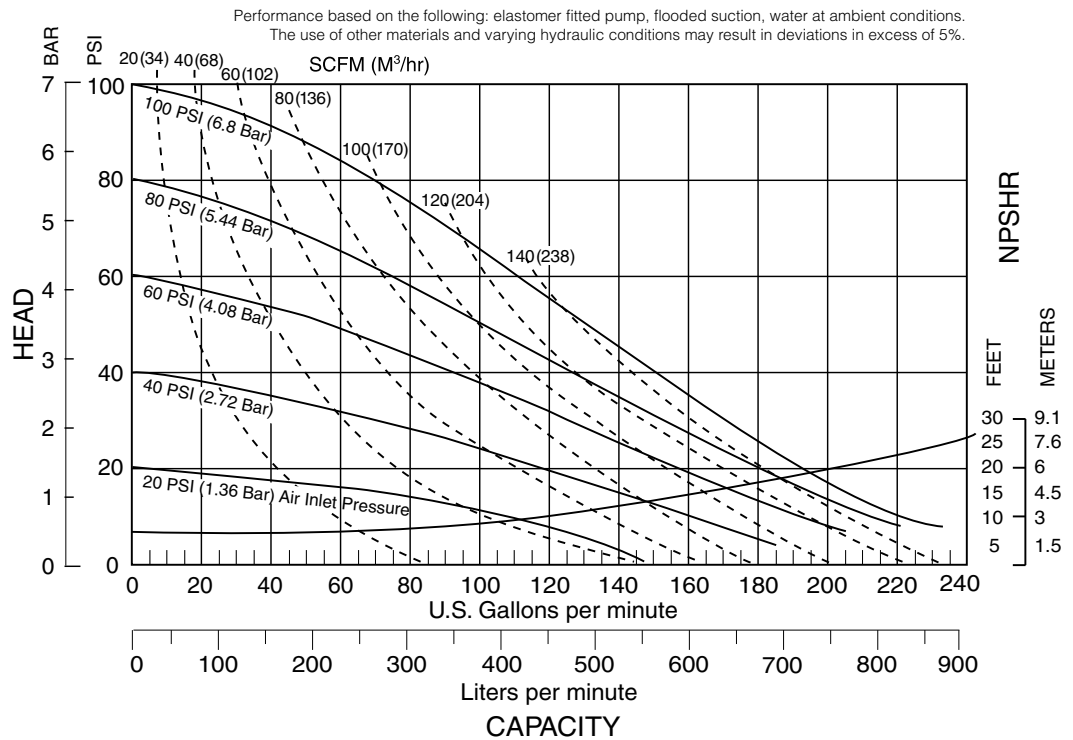
- .94 Gallon / 3.56 liter

MAXIMUM OPERATING PRESSURE

- 125 psi (8.6 bar)

SHIPPING WEIGHT

- Stainless Steel 194 lbs. (87kg)



Materials

Material Profile:

CAUTION! Operating temperature limitations are as follows:

Nitrile: General purpose, oil-resistant. Shows good solvent, oil, water and hydraulic fluid resistance. Should not be used with highly polar solvents like acetone and MEK, ozone, chlorinated hydrocarbons and nitro hydrocarbons.

Santoprene®: Injection molded thermoplastic elastomer with no fabric layer. Long mechanical flex life. Excellent abrasion resistance.

Virgin PTFE: (PFA/TFE) Chemically inert, virtually impervious. Very few chemicals are known to chemically react with PTFE; molten alkali metals, turbulent liquid or gaseous fluorine and a few fluoro-chemicals such as chlorine trifluoride or oxygen difluoride which readily liberate free fluorine at elevated temperatures.

Maximum and Minimum Temperatures are the limits for which these materials can be operated. Temperatures coupled with pressure affect the longevity of diaphragm pump components. Maximum life should not be expected at the extreme limits of the temperature ranges.

Metals:

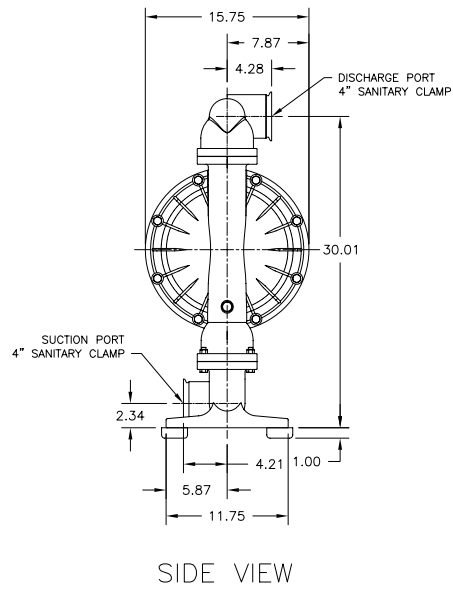
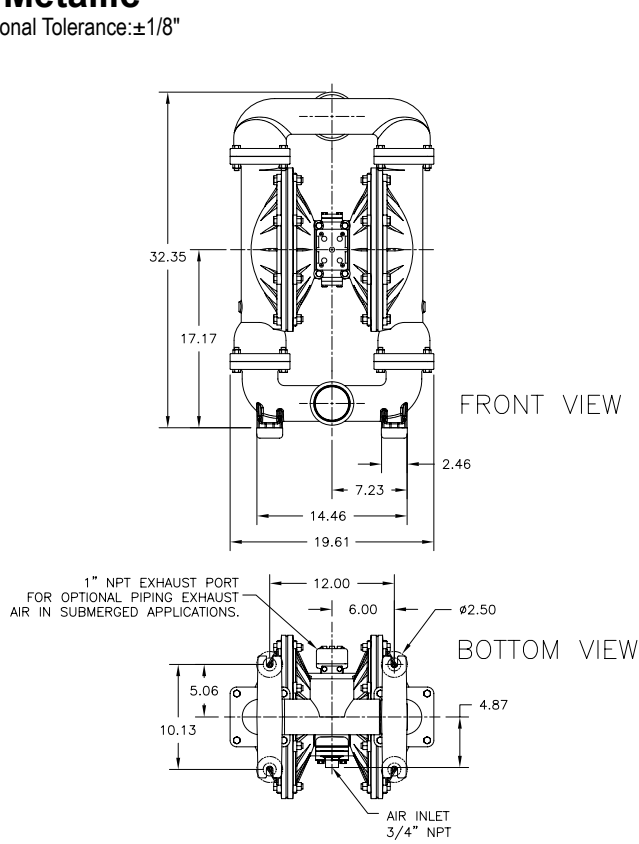
Stainless Steel: Equal to or exceeding ASTM specification A743 CF-8M for corrosion resistant iron chromium, iron chromium nickel and nickel based alloy castings for general applications. Commonly referred to as 316 Stainless Steel in the pump industry.

For specific applications, always consult the Chemical Resistance Chart.

Dimensional Drawings

T30 Metallic

Dimensional Tolerance: $\pm 1/8"$

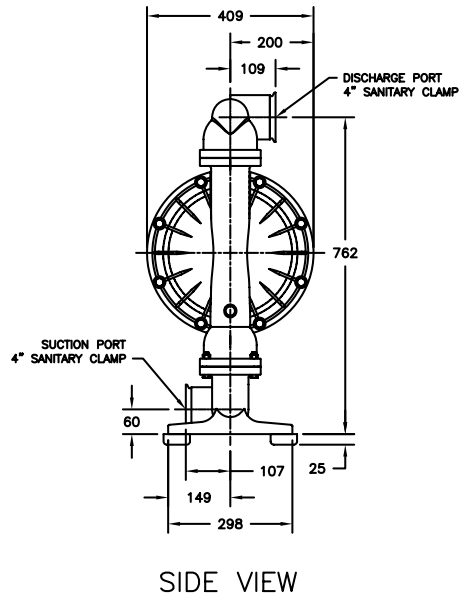
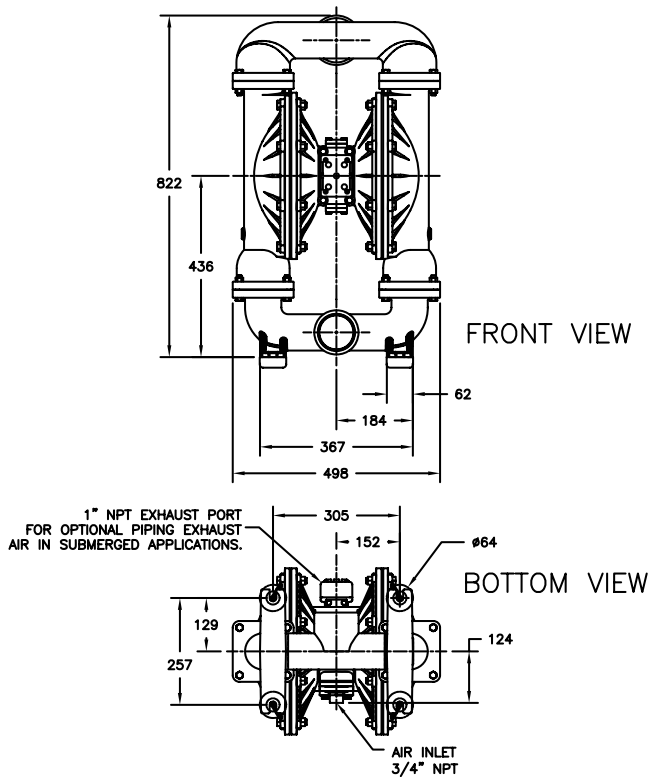


MODEL T30

DIMENSIONAL TOLERANCE: $\pm .12$

Dimension	A	B	C	D	E
Stainless Steel		30 27/32	4 7/32	19	35 25/32
Metal Muffler	16 1/8				

Dimensional Tolerance: $\pm 3\text{mm}$



Dimension	A	B	C	D	E
Stainless Steel		808	107	483	908
Metal Muffler	410				

Written Warranty

5 - YEAR Limited Product Warranty

Quality System ISO9001 Certified • Environmental Management Systems ISO14001 Certified

Warren Rupp, Inc. ("Warren Rupp") warrants to the original end-use purchaser that no product sold by Warren Rupp that bears a Warren Rupp brand shall fail under normal use and service due to a defect in material or workmanship within five years from the date of shipment from Warren Rupp's factory. Warren Rupp brands include SANDPIPER®, MARATHON®, PortaPump®, SludgeMaster™ and Tranquilizer®.

~ See complete warranty at www.sandpiperpump.com/About/guaranteesandwarranties.html ~

**WARREN
RUPP, INC.®**

Declaration of Conformity

Manufacturer: Warren Rupp, Inc.®, 800 N. Main Street, P.O. Box 1568,
Mansfield, Ohio, 44901-1568 USA

Certifies that Air-Operated Double Diaphragm Pump Series: HDB, HDF, M Non-Metallic, S Non-Metallic, M Metallic, S Metallic, T Series, G Series, U Series, EH and SH High Pressure, RS Series, W Series, SMA and SPA Submersibles, and Tranquilizer Surge Suppressors comply with the European Community Directive 2006/42/EC on Machinery, according to Annex VIII. This product has used Harmonized Standard EN809:1998+A1:2009, Pumps and Pump Units for Liquids - Common Safety Requirements, to verify conformance.

David Roseberry
Signature of authorized person

David Roseberry
Printed name of authorized person

Revision Level: F

October 20, 2005
Date of issue

Engineering Manager
Title

August 23, 2012
Date of revision

IDEX
CORPORATION



