

# UNIVERSAL PRODUCT LINE: STAINLESS STEEL — JACKETED PUMPS

227A Series™, 1227A Series™, 4227A Series™, 327A Series™, 1327A Series™, 4327A Series™

Section	1702
Page	1702.1
Issue	E

## TABLE OF CONTENTS

Related Products .....	1
Operating Range.....	1
Series Description .....	1
Features & Benefits .....	2
Jacketing .....	2
Relief Valve Configurations.....	3
Porting & Sealing .....	3
Revolvable Pump Casings.....	3
Cutaway View & Pump Features .....	4
Model Number Key .....	5
Standard Materials of Construction .....	5
Special Materials & Options Selection Guidelines .....	6
Specifications .....	7
Optional Casings – H through RS Sizes.....	8
Dimensions – H through Q Sizes .....	9
Dimensions – QS Size .....	10
Dimensions – N & R Sizes – Jacketed Bracket (327A Series™, 1327A Series™, 4327A Series™) .....	11
Dimensions – RS Size – Jacketed Bracket (327A Series™, 1327A Series™, 4327A Series™) .....	12
Dimensions – Stuffing Box Seal Chamber .....	13
NPSH Required .....	14

## SERIES DESCRIPTION

### 227A Series™, 4227A Series™, 327A Series™, 4327A Series™

Pumps are designed for a broad range of applications, from thin to thick, requiring continuous duty at pressures up to 200 PSI (14 Bar). Even higher pressures are possible with high fluid viscosities at reduced operating speeds (consult factory). They are also capable of operating under suction lift conditions and operate equally well in either direction.

The Universal Product Line has the broadest range of sealing options of all pumps built by Viking. The stuffing box on all sizes accepts packing, numerous component single mechanical seals, or a wide variety of cartridge seals.

The Universal Product Line is Viking Pump's most versatile line of internal gear pumps due to the availability of many design and material options.

### 1227A Series™, 1327A Series™:

Viking Pump is the leader in internal gear innovation and the latest development is the O-Pro™ Seal technology. The NEW Universal Seal Product Line comes with the O-Pro Guard Seal factory installed. The Universal Product Line combines the tested reliability of the Universal pump & O-rings to create a robust seal and lubrication chamber, all in one.



KK1127A



KK227A

## RELATED PRODUCTS

Stainless Steel, Non-Jacketed Pumps: Catalog Section 1701

Cast Iron, Jacketed Pumps: Catalog Section 1402

Steel Externals, Jacketed Pumps: Catalog Section 1302

## OPERATING RANGE

SERIES	NOMINAL FLOW		MAXIMUM PRESSURE		TEMPERATURE RANGE		VISCOSITY RANGE	
	GPM	m³h	PSI	Bar	°F	°C	SSU	cSt
227A Series™	10 - 320	2.3 - 73	150	10	-120 to +500	-85 to +260	28 to 2,000,000	0.1 to 440,000
1227A Series™	6 - 320	1.4 - 73	150	10	-15 to +350	-25 to +175	28 to 75,000	0.1 to 17,000
4227A Series™	10 - 320	2.3 - 73	150	10	-120 to +500	-85 to +260	28 to 2,000,000	0.1 to 440,000
327A Series™	600 - 1,600	136 - 364	200	14	-120 to +500	-85 to +260	28 to 2,000,000	0.1 to 440,000
1327A Series™	475 - 1,280	108 - 290	200	14	-15 to +225*	-25 to +105*	28 to 750*	0.1 to 165*
4327A Series™	600 - 1,600	136 - 364	200	14	-120 to +500	-85 to +260	28 to 2,000,000	0.1 to 440,000

\* Range may increase with end clearance adjustment.

Section	1702
Page	1702.2
Issue	E

## UNIVERSAL PRODUCT LINE: STAINLESS STEEL — JACKETED PUMPS

227A Series™, 1227A Series™, 4227A Series™, 327A Series™, 1327A Series™, 4327A Series™

### FEATURES & BENEFITS

- Positive Displacement Internal Gear pumping principle handles a broad range of viscosities with constant flow rate
- Axial rotor thrust is controlled by double row ball bearing or tapered roller bearings; bushings provided a secondary point of radial shaft support
- Rotatable bearing housing provides easy rotor end clearance adjustment to compensate for viscosity or wear
- Numerous material options are available for bushings, idler pins, shafts, rotors, idlers and elastomers
- Gear and pump geometry has been optimized based on more than 100 years of experience
- Footed cast iron bracket provides rigid mounting to help maintain alignment, which extends seal and bearing life
- Can use direct drive, gear reducer or gearmotor drive, or belt-drive
- Series designed with an enlarged bearing housing. Used in conjunction with a spacer coupling permits easy cartridge seal installation and removal in place without removing the head and rotor/shaft.
- Seal options include packing, O-Pro™ Guard Seal, single component seals, cartridge lip seals and cartridge single and double mechanical seals. Various seal flush plans are available.
- Steel externals for petroleum refineries, petrochemical plants and similar customers who require higher temperature and higher working pressures than cast iron pumps can provide

**3** Year Limited  
Warranty

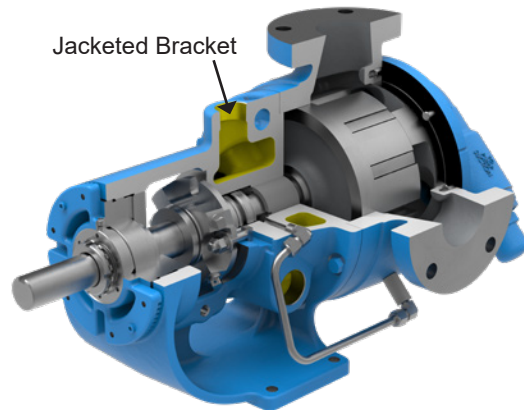
Viking Universal Product Line pumps carry a three year limited warranty. See catalog section 000 for details.

### JACKETING

Jacketed pumps provide a cavity, or jacket, on the external wall of the pump through which steam or heat transfer liquid can be passed to control the temperature of the fluid in the pump. The heat transfer medium flows in a closed loop back to the boiler or heater. Applications include “melting” ambient temperature solids like asphalt which solidify in the pump when it cools, and maintaining precise temperature control in processes like manufacturing polymers and epoxy resins.

#### Standard-Jacketed Pumps

Standard-Jacketed pumps include series 227A & 4227A. They feature jacketing on the head and bracket only, and are typically used for melting ambient temperature solids.



**LS4227A**  
Jacketed Pump Cutaway

# UNIVERSAL PRODUCT LINE: STAINLESS STEEL — JACKETED PUMPS

227A Series™, 1227A Series™, 4227A Series™, 327A Series™, 1327A Series™, 4327A Series™

Section	1702
Page	1702.3
Issue	E

## RELIEF VALVE CONFIGURATIONS

Jacketed pumps are provided with a jacketed head with no relief valve as standard. Integral pressure relief valves in jacketed and non-jacketed configurations are available on “LQ” through “N” sizes, but require a non-jacketed valve-type head.

The “N” 327A, 1327A Series™ & 4327A pumps are standard with a jacketed bracket, non-jacketed head and non-jacketed relief valve. A jacketed head, or a jacketed relief valve with non-jacketed valve-type head, is available as an option.

The “R” 327A, 1327A Series™ & 4327A pumps are standard with a jacketed bracket, a jacketed head and a non-jacketed relief valve. “RS” models have a jacketed bracket and head with no relief valve.



**N4327A**  
Jacketed Head with  
Non-Jacketed Relief  
Valve Shown

## PORTING & SEALING

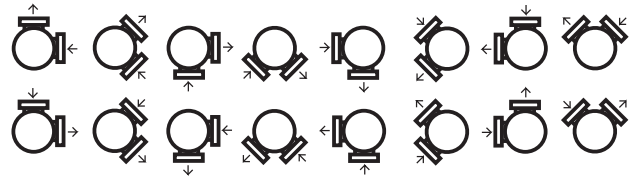
A variety of opposite and 90° port configurations are available, including top suction with bottom or side discharge designs typically mounted at the bottom of a tank or reactor.

Jacketed port options for steam or heat transfer liquid are threaded.

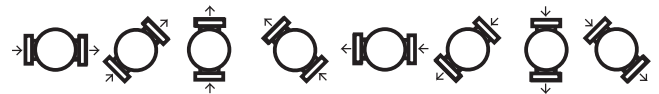
The seal chamber design accepts packing, component seals or cartridge seals. Seal plans, including API plan 53 and 54, are available.

## REVOLVABLE PUMP CASINGS

### 90° port options:



### Opposite port options:



**NOTE:** See page 1702.8 for a complete list of casing options by size.

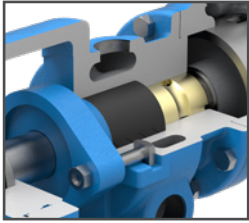
Section	1702
Page	1702.4
Issue	E

## UNIVERSAL PRODUCT LINE: STAINLESS STEEL — JACKETED PUMPS

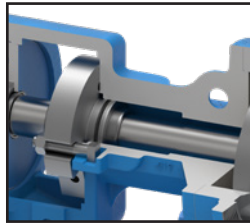
227A Series™, 1227A Series™, 4227A Series™, 327A Series™, 1327A Series™, 4327A Series™

### CUTAWAY VIEW & PUMP FEATURES

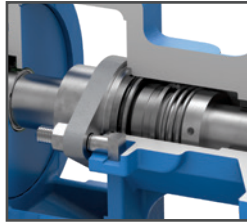
Packing



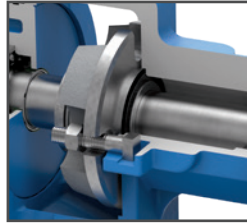
O-Pro™ Guard Seal



Component Seal



Cartridge Seal

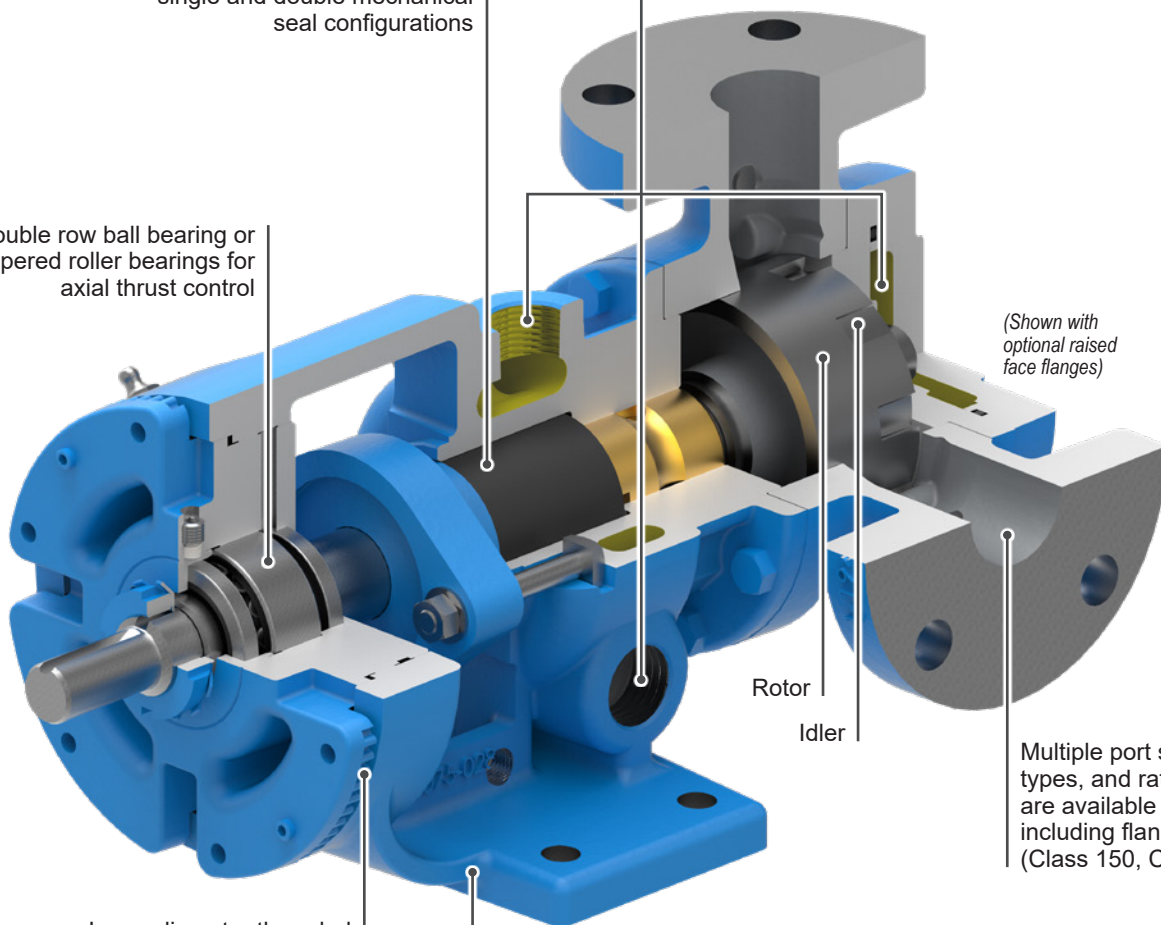


Seal chamber accepts packing, O-Pro™ seal and a variety of component and cartridge style mechanical and lip seals, in both single and double mechanical seal configurations

Jacketing (highlighted in yellow) for steam, hot oil or hot water circulation

Double row ball bearing or tapered roller bearings for axial thrust control

(Shown with optional raised face flanges)



Rotor

Idler

Large diameter threaded bearing housing allows easy seal removal

One-piece cast bracket with seal between bearings provides rigid foundation to maximize seal and bearing life

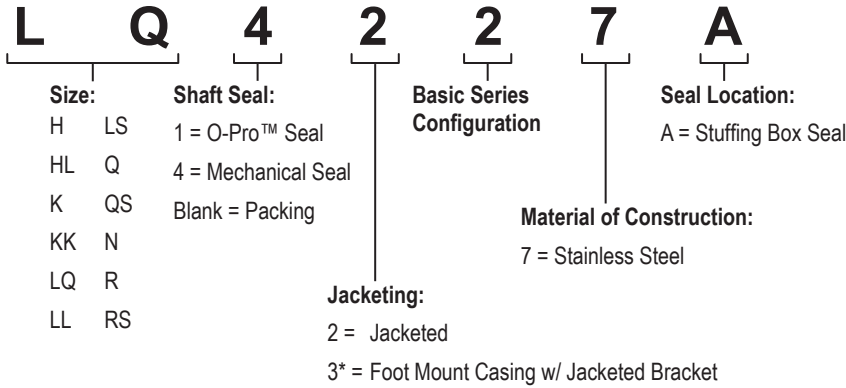
Multiple port sizes, types, and ratings are available including flanged (Class 150, Class 300)

# UNIVERSAL PRODUCT LINE: STAINLESS STEEL — JACKETED PUMPS

227A Series™, 1227A Series™, 4227A Series™, 327A Series™, 1327A Series™, 4327A Series™

Section	1702
Page	1702.5
Issue	E

## MODEL NUMBER KEY



\* Only the N through RS sizes are foot mount with jacketed bracket (3).

## STANDARD MATERIALS OF CONSTRUCTION

Component	Standard Material
Casing	Stainless Steel, ASTM A743, Class CF8M
Head	Stainless Steel, ASTM A743, Class CF8M, Case Hardened
Head Plate	Cast Iron, ASTM A48, Class 35B
Bracket	Stainless Steel, ASTM A743, Class CF8M
Idler	Stainless Steel, ASTM A743, Class CF8M, Case Hardened
Rotor	Stainless Steel, ASTM A743, Class CF8M, Case Hardened
Shaft	① Stainless Steel, ASTM A276, Type XM-19 or 316 Condition B
Idler Pin	Hard Coated Stainless Steel, ASTM A276, Type 316, Colmonoy #6 Coated
Idler Bushing	Carbon Graphite
Bracket Bushing	Carbon Graphite
Pressure Relief Valve	Stainless Steel, ASTM A743, Grade CF8M
Standard Packing (227A, 327A)	Braided PTFE
O-Pro™ Guard Seal (1227A Series™, 1327A Series™)	Stainless Steel, ASTM A743
O-Pro™ Guard Gland & Sleeve (12 27A Series™, 1327A Series™)	Stainless Steel, ASTM A743, Class CF8M, Sanitary FKM Elastomers
Standard Mechanical Seal (4227A, 4327A)	Carbon vs. Silicon Carbide Faces, FKM Elastomers

① N, R and RS shafts are Colmonoy #6 coated.

Section	1702
Page	1702.6
Issue	E

## UNIVERSAL PRODUCT LINE: STAINLESS STEEL — JACKETED PUMPS

227A Series™, 1227A Series™, 4227A Series™, 327A Series™, 1327A Series™, 4327A Series™

### SPECIAL MATERIALS & OPTIONS SELECTION GUIDELINES

#### For High Viscosities – Above 2,500 SSU (550 cSt)

- Extra clearances, depending on viscosity. See ES-2 for recommendations.
  - » 1127A Series™ & 1327A Series™ pumps only available with standard clearance.
- Special Sealing:
  - PTFE Type 9 seals good up to 25,000 SSU (5,500 cSt).
  - Packed gland good up to 2,000,000 SSU (440,000 cSt).
  - Cartridge triple lip seals available to 2,000,000 SSU (440,000 cSt).
- Larger ports may be required depending on suction conditions.
- Pump should be operated at slower than normal speeds, which may require a larger pump.
- For viscosities over 250,000 SSU (55,000 cSt), contact factory for additional pump construction and operation recommendations.

#### For low viscosities or non-lubricating liquids – Below 100 SSU (20 cSt)

- 770 stainless steel or PPS idler to prevent galling.
- Pump should be operated at slower than normal speeds, which may require a larger pump.

#### For high temperatures – Above 225°F (105°C)

- High temperature elastomers – PTFE up to 450°F (230°C); FKM up to 350°F (175°C)
- High temperature bushings recommended depending on temperature, size and specific material. See ESB-3 for recommendations.
- Additional operating clearances may be required depending on temperature, size and specific material. See ES-2 for recommendations.
  - » 1127A Series™ & 1327A Series™ pumps only available with standard clearance.
- For temperatures above 450°F (230°C), special materials and sealing requirements may be needed. Contact factory for recommendations.
- Pump should be operated at slower than normal speeds, which may require a larger pump.

#### For abrasive or dirty liquids

- If possible, filter or strain out the abrasives present.
- Wear resistant bushings - silicon carbide, tungsten carbide or Colmonoy coated.
- Abrasive-resistant idler pin - tungsten carbide or Colmonoy plus TC filler coated pins.
- Hard-coated shaft.
- Abrasive-resistant seals.
- For high concentrations of abrasives or particle sizes greater than 250 microns (0.010 in), contact factory for recommendations.
- Pump should be operated at slower than normal speeds, which may require a larger pump.
- Consult factory for specific recommendations.

# UNIVERSAL PRODUCT LINE: STAINLESS STEEL — JACKETED PUMPS

227A Series™, 1227A Series™, 4227A Series™, 327A Series™, 1327A Series™, 4327A Series™

Section	1702
Page	1702.7
Issue	E

## SPECIFICATIONS

Model Number	③ Standard Port Size	Nominal Pump Rating (100 SSU & below)			Max. Hydrostatic Pressure		① Maximum Discharge Pressure		Max. Recommended Temperature for Standard Pump		Approx. Shipping Weight with Valve	
	Inches	GPM	m³/h	RPM	PSIG	BAR	PSIG	BAR	°F	°C	Lbs.	Kg.
H227A	1 ½	10	2.3	1150	400	28	150	10	375	190	47	21
H1227A	1 ½	6	1.4	760	400	28	150	10	350	175	52	24
H4227A	1 ½	10	2.3	1150	400	28	150	10	375	190	47	21
HL227A	1 ½	20	4.5	1150	400	28	150	10	375	190	52	24
HL1227A	1 ½	13	3	760	400	28	150	10	350	175	52	24
HL4227A	1 ½	20	4.5	1150	400	28	150	10	375	190	52	24
K227A	2	50	11	520	400	28	150	10	350	175	125	57
K1227A	2	50	11	520	400	28	150	10	350	175	137	62
K4227A	2	50	11	520	400	28	150	10	350	175	125	57
KK227A	2	65	15	520	400	28	150	10	350	175	130	59
KK1227A	2	65	15	520	400	28	150	10	350	175	137	62
KK4227A	2	65	15	520	400	28	150	10	350	175	130	59
LQ227A	2 ½	100	23	520	400	28	150	10	350	175	210	95
LQ1227A	2 ½	100	23	520	400	28	150	10	350	175	195	88
LQ4227A	2 ½	100	23	520	400	28	150	10	350	175	210	95
LL227A	3	135	31	520	400	28	150	10	350	175	255	116
LL1227A	3	135	31	520	400	28	150	10	350	175	183	83
LL4227A	3	135	31	520	400	28	150	10	350	175	255	116
LS227A	3	160	36	520	400	28	150	10	345	170	230	104
LS1227A	3	160	36	520	400	28	150	10	350	175	236	107
LS4227A	3	160	36	520	400	28	150	10	345	170	230	104
Q227A	4	200	45	350	400	28	150	10	270	130	500	227
Q1227A	4	200	45	350	250	17	150	10	350	175	325	147
Q4227A	4	200	45	350	400	28	150	10	270	130	500	227
QS227A	6	320	73	350	400	28	150	10	270	130	600	272
QS1227A	6	320	73	350	250	17	150	10	350	175	319	145
QS4227A	6	320	73	350	400	28	150	10	270	130	600	272
N327A	6	600	136	350	400	28	200	14	175	80	810	367
N1327A	6	475	108	280	250	17	200	14	225	105	640	290
N4327A	6	600	136	350	400	28	200	14	175	80	810	367
R327A	8	1,100	250	280	400	28	175	12	175	80	1,435	651
R1327A	8	880	200	225	250	17	175	12	225	105	1,509	685
R4327A	8	1,100	250	280	400	28	175	12	175	80	1,435	651
RS327A	10	1,600	364	280	400	28	125	9	175	80	2,500	1,140
RS1327A	10	1,280	290	225	250	17	125	9	225	105	1,973	895
RS4327A	10	1,600	364	280	400	28	125	9	175	80	2,500	1,140

① For maximum recommended discharge pressures at different viscosities, see performance curves, which can be electronically generated with the Viking Pump Curve Generator, located on [www.vikingpump.com](http://www.vikingpump.com). If suction pressure exceeds 50 PSIG, consult factory. Higher pressures possible with factory approval based on application details.

② Extra clearances are required above 225°F / 105°C. Higher temperatures can be handled with special construction, consult factory.

③ Ports are suitable for Class 150 steel or stainless steel companion flanges or flanged fittings.

Section	1702
Page	1702.8
Issue	E

## UNIVERSAL PRODUCT LINE: STAINLESS STEEL — JACKETED PUMPS

227A Series™, 1227A Series™, 4227A Series™, 327A Series™, 1327A Series™, 4327A Series™

### OPTIONAL CASINGS – H THROUGH RS SIZES

Size	Standard Casings		Standard Jacketed Pumps Optional Ports	Fully-Jacketed Casings
	Ports (Inches)	Rotatable Data		
H	1.5"①®	Fully Rotatable	2"①®	2"②®
HL	1.5"①®	Fully Rotatable	2"①®	2"②®
K	2"①®	Fully Rotatable	4"①®	3"①®, 4"①®, 3"②®, 3"②◎
KK	2"①®	Fully Rotatable	4"①®	3"①®, 4"①®, 3"②®, 3"②◎
LQ	2.5"②®	Ports cannot face down	3"①®	3"①®, 3"②®, 4"②®
LL	3"②®	Fully Rotatable		
LS	3"②®	Fully Rotatable	4"①®	4"①®, 6"①®, 4"②®
Q	4"②®	Fully Rotatable		4"①®, 4"②®
QS	6"②◎	Rotatable with special casing		6"①®, 6"②◎
N	6"②◎	Not Rotatable		6"①®, 8"②◎
R	8"②◎	Not Rotatable		8"①◎
RS	10"②◎	Not Rotatable		

① Ports suitable for Class 150 ANSI steel or stainless steel companion flanges or flanged fittings.

② Ports suitable for Class 300 ANSI steel or stainless steel companion flanges or flanged fittings.

◎ Opposite Ports

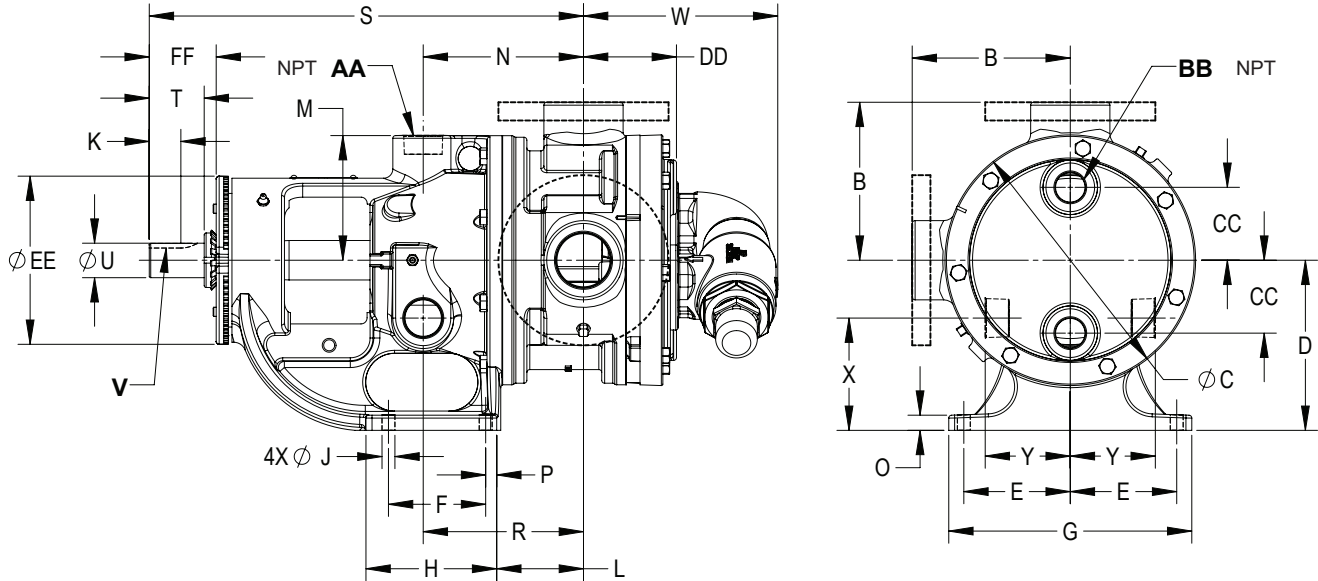
® 90° port arranged for Right Hand inlet (viewed from shaft end)

# UNIVERSAL PRODUCT LINE: STAINLESS STEEL — JACKETED PUMPS

227A Series™, 1227A Series™, 4227A Series™, 327A Series™, 1327A Series™, 4327A Series™

Section	1702
Page	1702.9
Issue	E

## DIMENSIONS – H THROUGH Q SIZES



These dimensions are average and not for construction purposes. Certified prints on request.

Model Number			A (in)		B	C	D	E	F	G	H	J	K	L	M	N	O
Packed	O-Pro™ Seal	Mechanical Seal															
H227A	H1227A	H4227A	⊙ 1.5	in	4.00	4.75	3.50	2.75	2.25	6.75	3.50	0.47	0.99	3.38	2.38	4.00	0.56
HL227A	HL1227A	HL4227A		mm	102	121	89	70	57	171	89	12	25	86	61	102	14
K227A	K1227A	K4227A	⊙ 2	in	5.25	8.00	5.50	4.00	2.75	9.25	4.00	0.53	1.42	3.00	4.00	5.75	0.62
KK227A	KK1227A	KK4227A		mm	133	203	140	102	70	235	102	14	36	76	102	146	16
LQ227A	LQ1227A	LQ4227A	⊙ 2.5	in	7.19	10.25	7.00	4.38	4.00	10.00	5.38	0.53	1.42	3.38	5.12	6.56	0.62
LL227A	LL1227A	LL4227A		mm	183	260	178	111	102	254	137	14	36	86	130	167	16
LS227A	LS1227A	LS4227A	⊙ 3	in	7.19	10.25	7.00	4.38	4.00	10.00	5.38	0.53	1.42	3.38	5.12	6.56	0.62
Q227A	Q1227A	Q4227A		mm	183	260	178	111	102	254	137	14	36	86	130	167	16
LS227A	LS1227A	LS4227A	⊙ 3	in	7.19	10.25	7.00	4.38	4.00	10.00	5.38	0.53	2.55	4.75	5.12	7.40	0.62
Q227A	Q1227A	Q4227A		mm	183	260	178	111	102	254	137	14	65	121	130	188	16
Q227A	Q1227A	Q4227A	⊙ 4	in	8.25	14.00	8.75	4.12	4.00	10.00	6.00	0.69	3.58	6.62	7.00	7.62	0.75
				mm	210	356	222	105	102	254	152	18	91	168	178	194	19

Model Number				P	R	S	T	U (in)	V (in)	W*	X	Y	AA (in)	BB (in)	CC	DD	EE	FF
Packed	O-Pro™ Seal	Mechanical Seal																
H227A	H1227A	H4227A	in	0.62	4.00	12.06	1.62	0.75	.19 X .09	4.04	1.80	1.83	0.75	0.50	0.94	2.41	5.75	2.30
HL227A	HL1227A	HL4227A	mm	16	102	306	41											
K227A	K1227A	K4227A	in	0.62	5.75	16.38	2.25	1.12	.25 X .12	7.00	3.38	2.75	1.25	1.25	1.75	3.25	6.75	2.92
KK227A	KK1227A	KK4227A	mm	16	146	416	57											
LQ227A	LQ1227A	LQ4227A	in	0.62	6.56	17.88	2.25	1.12	.25 X .12	7.18	4.62	3.25	1.25	1.00	3.00	3.81	6.75	2.93
LL227A	LL1227A	LL4227A	mm	16	167	454	57											
LL227A	LL1227A	LL4227A	in	0.62	6.56	17.88	2.25	1.13	.25 X .12	7.18	4.62	3.25	1.25	1.00	3.00	4.31	6.75	2.93
LS227A	LS1227A	LS4227A	mm	16	167	454	57											
LS227A	LS1227A	LS4227A	in	0.62	7.00	19.25	3.50	1.44	.38 X .19	7.72	4.40	3.30	1.25	1.00	3.00	4.50	7.00	4.03
Q227A	Q1227A	Q4227A	mm	16	178	489	89											
Q227A	Q1227A	Q4227A	in	1.00	6.62	23.75	4.50	1.94	.50 X .25	11.25	5.50	4.50	1.50	⊙	—	4.57	8.38	5.35
			mm	25	168	603	114											

⊙ Ports are tapped for standard (NPT) pipe. Other thread standards available.

⊙ BB dimension for Q227A is 1".

⊙ Ports are suitable for use with Class 125 ANSI cast iron.

\* Non-jacketed valve only.

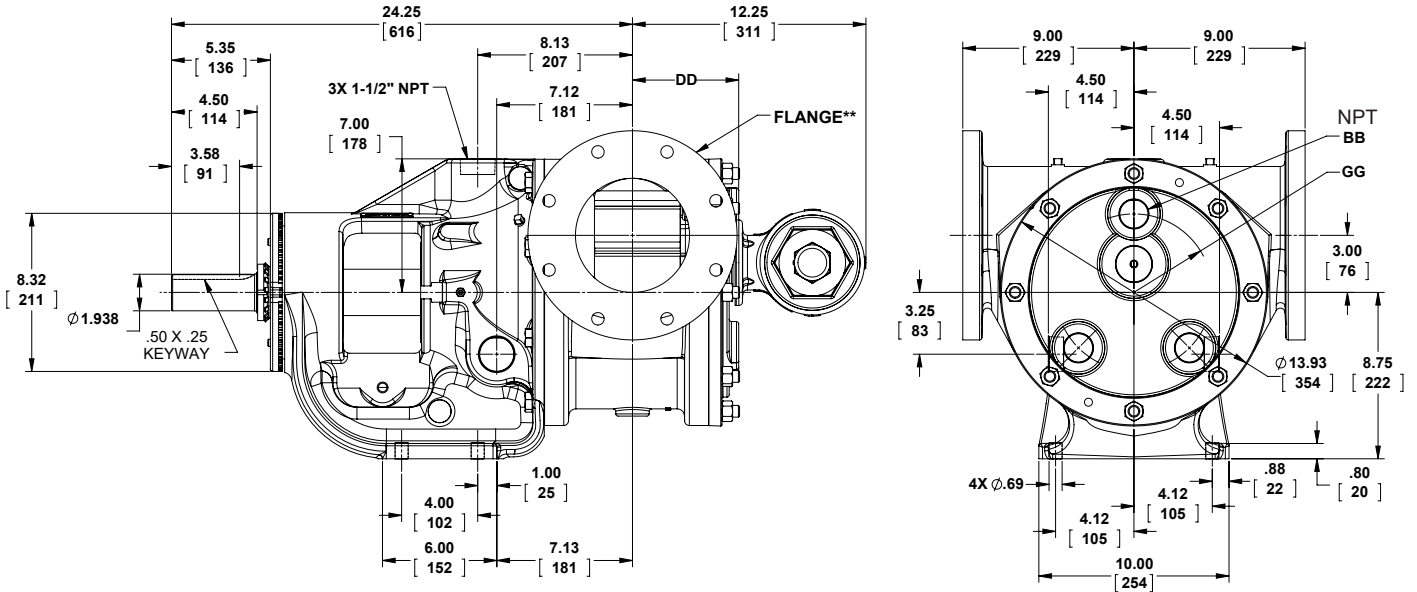
Section	1702
Page	1702.10
Issue	E

# UNIVERSAL PRODUCT LINE: STAINLESS STEEL — JACKETED PUMPS

227A Series™, 1227A Series™, 4227A Series™, 327A Series™, 1327A Series™, 4327A Series™

## DIMENSIONS – QS SIZE

Dimensions shown in inches with millimeter equivalent shown in parentheses



Model Number			BB*	DD	GG
Packed	O-Pro™ Seal	Mechanical Seal			
QS227A	QS1227A	QS4227A	1.00	6.06 (153)	3.75 (95)

\* Ports for steam or hot oil jacketing are inch standard NPT threads.

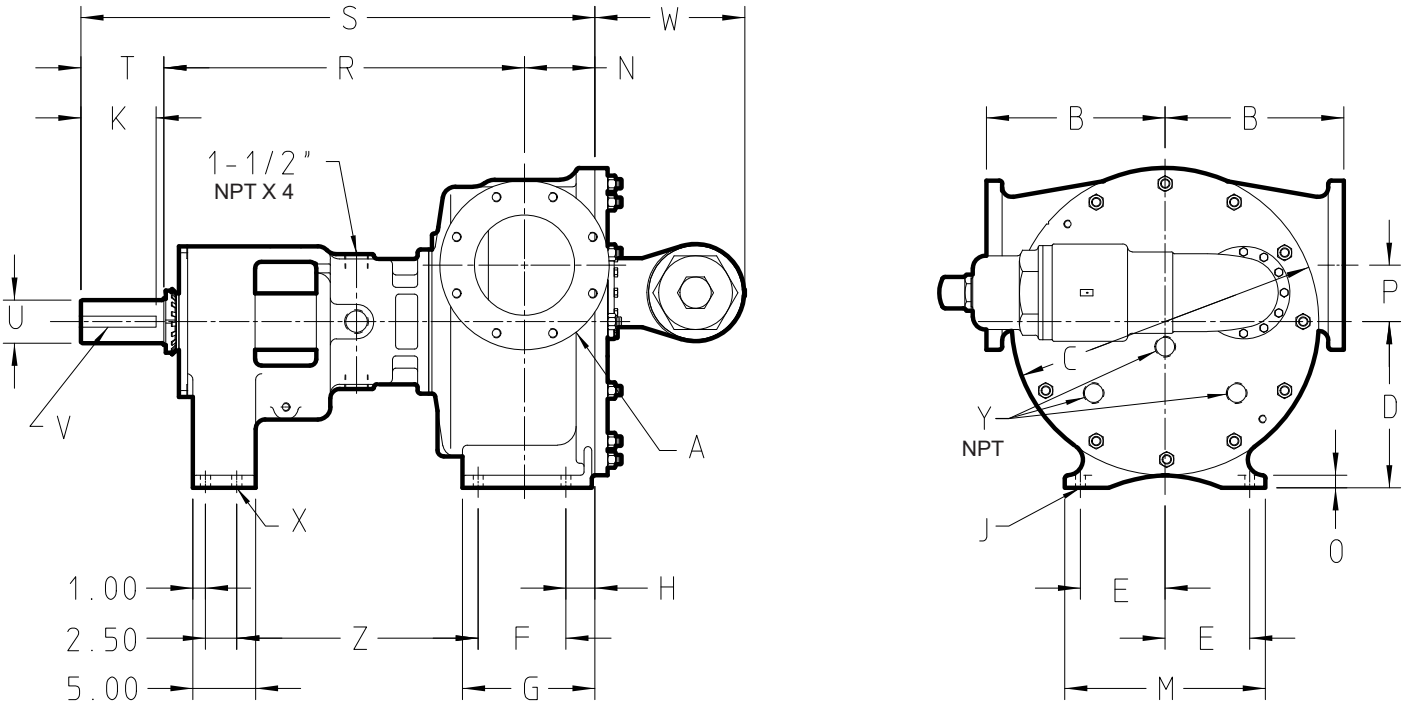
227A/4227A ports suitable for use with Class 150 ANSI steel or stainless steel companion flanges or flanged fittings.

# UNIVERSAL PRODUCT LINE: STAINLESS STEEL — JACKETED PUMPS

227A Series™, 1227A Series™, 4227A Series™, 327A Series™, 1327A Series™, 4327A Series™

Section	1702
Page	1702.11
Issue	E

## DIMENSIONS – N & R SIZES – JACKETED BRACKET (327A SERIES™, 1327A SERIES™, 4327A SERIES™)



Model Number			A (in)		B	C	D	E	F	G	H	J	K	M	N
Packed	O-Pro™ Seal	Stuffing Box Seal													
N327A	N1327A	N4327A	①	in	9.75	17.25	9.50	5.00	6.25	8.69	1.62	0.69	4.50	12.00	4.50
			6	mm	248	438	241	127	159	221	41	18	114	305	114
R327A	R1327A	R4327A	①	in	14.25	24.50	13.25	6.75	7.00	10.56	2.31	0.78	6.00	16.00	5.62
			10	mm	362	622	337	171	178	268	59	20	152	406	143

Model Number				O	P	R	S	T	U (in)	V (in)	W	X	Y	Z
Packed	O-Pro™ Seal	Stuffing Box Seal												
N327A	N1327A	N4327A	in	1.00	3.00	26.00	36.50	6.00	2.44	.62 x.31	8.63	0.69	—	18.94
			mm	25	76	660	927	152			219	18	—	481
R327A	R1327A	R4327A	in	1.00	4.50	28.75	41.00	6.62	3.44	.88 x.44	12.00	0.69	1.25	19.25
			mm	25	114	730	1041	168			305	18	1.25	489

① Ports are suitable for use with Class 150 ANSI stainless steel companion flanges or flanged fittings.

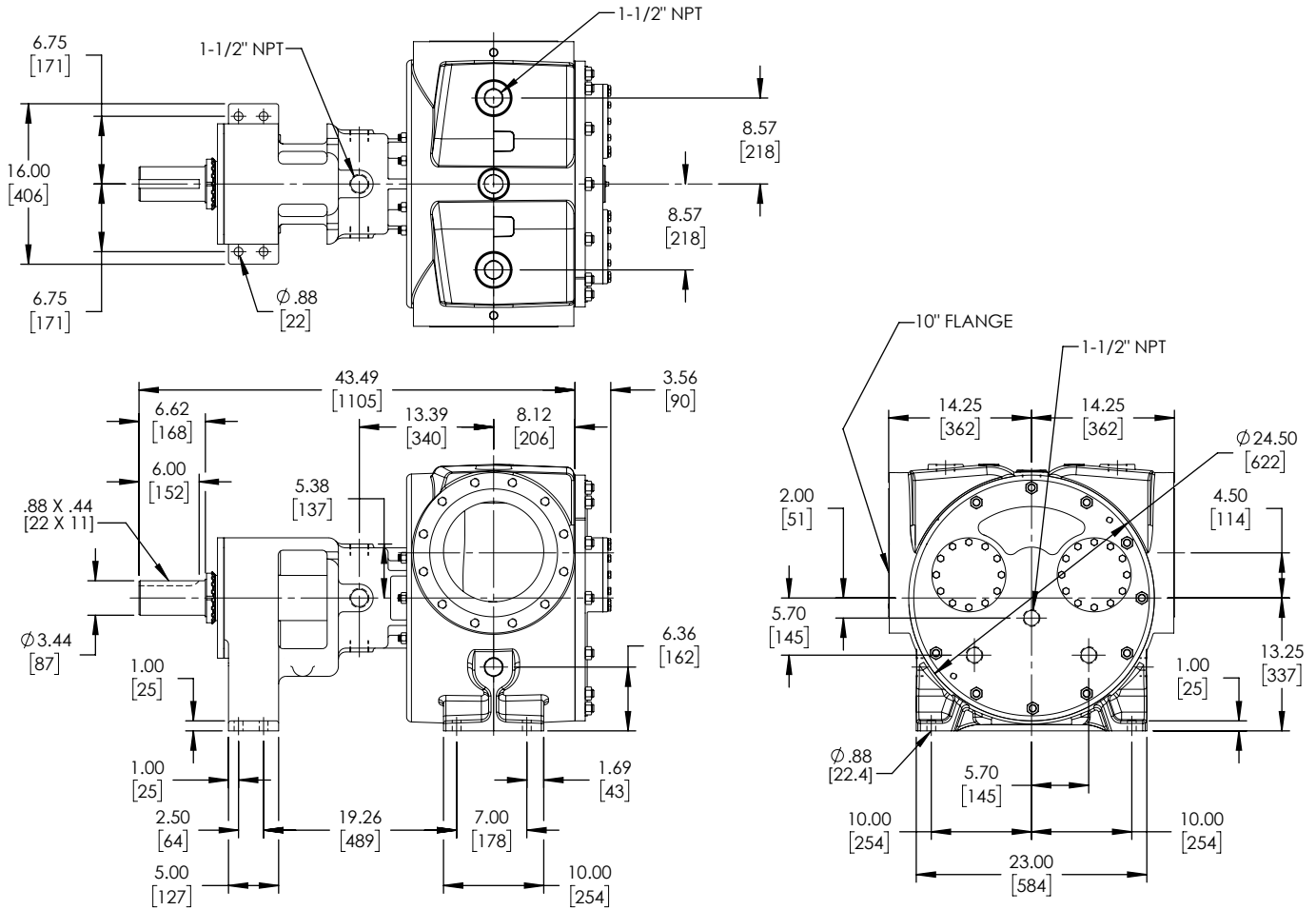
**NOTE:** The N size is standard with a jacketed bracket and non-jacketed head and non-jacketed relief valve, while the “R” size is standard with a jacketed bracket, a jacketed head, and a non-jacketed relief valve. “RS” contact factory for jacketing options.

Section	1702
Page	1702.12
Issue	E

## UNIVERSAL PRODUCT LINE: STAINLESS STEEL — JACKETED PUMPS

227A Series™, 1227A Series™, 4227A Series™, 327A Series™, 1327A Series™, 4327A Series™

### DIMENSIONS – RS SIZE – JACKETED BRACKET (327A SERIES™, 1327A SERIES™, 4327A SERIES™)



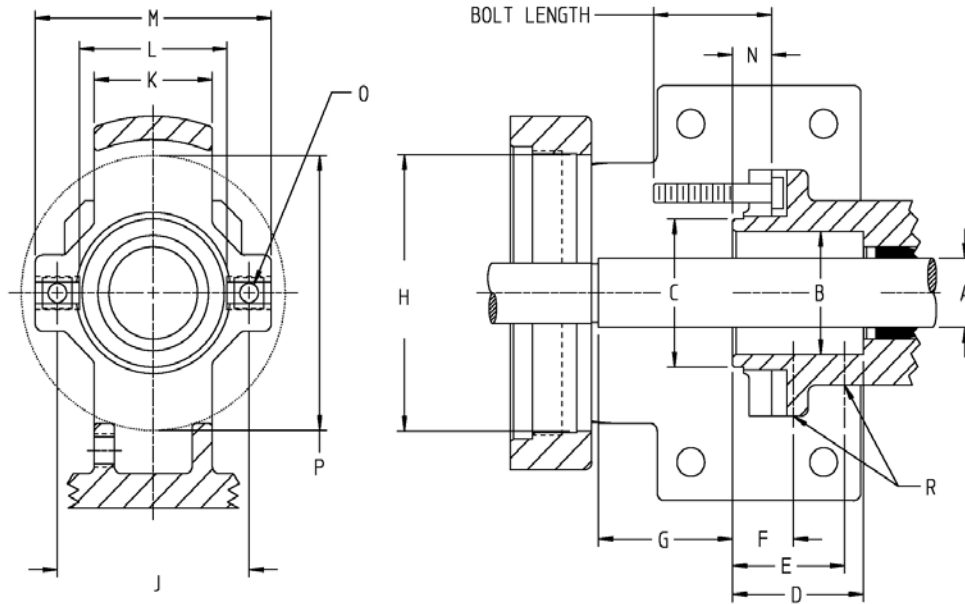
**NOTE:** RS size pumps are only available with a jacketed casing, as shown.

# UNIVERSAL PRODUCT LINE: STAINLESS STEEL — JACKETED PUMPS

227A Series™, 1227A Series™, 4227A Series™, 327A Series™, 1327A Series™, 4327A Series™

Section	1702
Page	1702.13
Issue	E

## DIMENSIONS – STUFFING BOX SEAL CHAMBER



Pump Size		A	B	C	D	E	F	G	H	J	K	L	M	N	O	P	R
H & HL	In	1.12	2.00	2.41	2.22	1.90	1.03	2.27	4.50	3.00 to 3.50	2.00	2.50	4.00	0.66	5/16	4.47	1/8
	mm		51	61	56	48	26	58	114	76 to 89	51	64	102	17		114	3
K & KK	In	1.44	①2.31	3.00	3.13	2.25	1.25	3.00	5.25	3.50 to 4.50	2.50	3.00	5.00	0.38	7/16	5.25	1/4
	mm		①58.7	76	80	57	32	76	133	89 to 114	64	76	127	10		133	6
LQ, & LL	In	1.44	①2.31	3.00	3.13	2.25	1.25	4.00	5.25	3.50 to 4.50	2.50	3.00	5.00	0.44	7/16	5.25	1/4
	mm		①58.7	76	80	57	32	102	133	89 to 114	64	76	127	11		133	6
LS	In	1.62	2.38	2.80	2.70	2.25	1.16	3.52	5.25	3.25 to 4.50	3.00	2.80	5.00	0.46	7/16	5.25	1/4
	mm		60	71	69	57	30	89	133	83 to 114	76	71	127	12		133	6
Q & QS	In	2.44	3.42	4.50	4.00	2.50	1.53	4.10	6.75	5.50 to 6.25	3.20	4.50	7.20	0.56	5/8	6.75	1/4
	mm		87	114	102	64	39	104	171	140 to 159	81	114	183	14		171	6
N	In	3.44	4.69	—	5.56	1.65	—	4.91	8.81	6.75	—	—	—	—	②3/4	9.00	1/4
	mm		119	—	141	42	—	125	224	171	—	—	—	—		229	6
R & RS	In	4.50	5.75	—	5.56	1.53	—	4.79	9.81	7.75	—	—	—	—	②3/4	9.81	1/4
	mm		146	—	141	39	—	122	249	197	—	—	—	—		249	6

① Bracket is counter bored to a diameter of 2.687 inches (68 mm), 0.12 inches (3 mm) deep from stuffing box face.

② Studs are used in place of cap screws.

Section	1702
Page	1702.14
Issue	E

## UNIVERSAL PRODUCT LINE: STAINLESS STEEL — JACKETED PUMPS

227A Series™, 1227A Series™, 4227A Series™, 327A Series™, 1327A Series™, 4327A Series™

### NPSH REQUIRED

Printed performance curves are not available.

Performance curves can be electronically generated with the Viking Pump Curve Generator on [vikingpump.com](http://vikingpump.com).

NPSHR data is not available on the pump selector.

**NPSH (Net Positive Suction Head):** The NPSH<sub>R</sub> (Net Positive Suction Head Required by the pump) is given in the table below and applies for viscosities through 750 SSU. NPSH<sub>A</sub> (Net Positive Suction Head – Available in the system) must be greater than the NPSH<sub>R</sub>. For a complete explanation of NPSH, see Application Data Sheet AD-19.

**FOR VISCOSITIES UP TO 750 SSU** – See NPSH<sub>R</sub> table below.

**NPSH<sub>R</sub> for high viscosities can be estimated using the following method:**

1. Calculate line loss for a 1 foot long pipe of a diameter matching the pump inlet port size. Use your flow rate and max viscosity.
2. Convert this value into Feet of Liquid (S.G. 1.0)
3. Add this value to the NPSH<sub>R</sub> value in the chart below.

NPSH<sub>R</sub> – FEET OF LIQUID (Specific Gravity 1.0), Viscosities up to 750 SSU

PUMP SIZE	PUMPS SPEED, RPM														
	100	125	155	190	230	280	350	420	520	640	780	950	1150	1450	1750
H, HL	—	—	—	—	1.7	1.8	1.9	2.1	2.4	2.8	3.4	4.5	6.2	9.5	13.5
K, KK	—	1.7	1.8	1.9	2.1	2.3	2.8	3.3	4.4	6.3	9.1	—	—	—	—
LQ	1.6	1.8	2.0	2.2	2.5	3.0	3.8	5.0	7.3	10.8	—	—	—	—	—
LL	1.6	1.8	2.0	2.2	2.5	3.0	3.8	5.0	7.3	—	—	—	—	—	—
LS	1.6	1.8	2.0	2.2	2.5	3.0	3.8	5.0	7.3	10.8	—	—	—	—	—
Q, QS	1.9	2.1	2.3	2.7	3.3	4.2	6.1	8.4	12.7	—	—	—	—	—	—
N	2.1	2.3	3.5	4.5	6.3	9.5	15.0	—	—	—	—	—	—	—	—
R	6.1	7.1	8.3	10.1	12.1	15.2	—	—	—	—	—	—	—	—	—
RS	7.0	8.5	10.4	13.1	17.2	22.4	—	—	—	—	—	—	—	—	—

AUSTRALIAN DISTRIBUTOR



**KelairPumps**

CALL 1300 789 466

*When Pump Knowledge Matters*

[www.kelairpumps.com.au](http://www.kelairpumps.com.au)